

## Aluminum Capacitors SMD (Chip), High Temperature

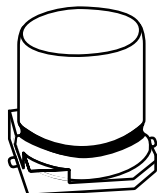
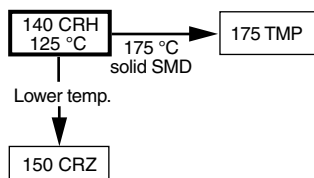


Fig.1 Component outline



### FEATURES

- Polarized aluminum electrolytic capacitors, non-solid electrolyte, self healing
- SMD-version with base plate, lead (Pb)-free reflow solderable
- Charge and discharge proof, no peak current limitation
- Parts for advanced high temperature reflow soldering according to JEDEC J-STD-020 available
- Compliant to RoHS directive 2002/95/EC
- Vibration proof, 4-pin version and 6-pin version
- AEC-Q200 qualified


**RoHS**  
COMPLIANT

### APPLICATIONS

- SMD technology, for high temperature reflow soldering
- Industrial and professional applications
- Automotive, general industrial, telecom
- Smoothing, filtering, buffering

### MARKING

- Rated capacitance (in  $\mu\text{F}$ )
- Rated voltage (in V)
- Date code, in accordance with IEC 60062
- Black mark or '-' sign indicating the cathode (the anode is identified by bevelled edges)
- Code indicating group number (H)

### PACKAGING

Supplied in blister tape on reel

QUICK REFERENCE DATA	
DESCRIPTION	VALUE
Nominal case sizes (L x W x H in mm)	8 x 8 x 10 to 18 x 18 x 21
Rated capacitance range, $C_R$	10 $\mu\text{F}$ to 4700 $\mu\text{F}$
Tolerance on $C_R$	$\pm 20\%$
Rated voltage range, $U_R$	6.3 V to 63 V
Category temperature range	- 55 °C to + 125 °C
Endurance test at 125 °C	1000 h to 3000 h
Useful life at 125 °C	1500 h to 5000 h
Useful life at 40 °C 1.8 x $I_R$ applied:	150 000 h to 350 000 h
Shelf life at 0 V, 125 °C	1000 h
Based on sectional specification	IEC 60384-18/CECC 32300
Climatic category IEC 60068	55/125/56

SELECTION CHART FOR $C_R$ , $U_R$ AND RELEVANT NOMINAL CASE SIZES (L x W x H in mm)							
$C_R$ ( $\mu F$ )	$U_R$ (V)						
	6.3	10	16	25	35	50	63
10	→	→	→	→	→	→	8 x 8 x 10
22	→	→	→	→	→	→	8 x 8 x 10
33	→	→	→	→	→	→	8 x 8 x 10
47	→	→	→	→	→	8 x 8 x 10	10 x 10 x 10
68	→	→	→	→	8 x 8 x 10	10 x 10 x 10	10 x 10 x 14
100	→	→	→	8 x 8 x 10	10 x 10 x 10	10 x 10 x 14	12.5 x 12.5 x 13
150	→	→	8 x 8 x 10	→	10 x 10 x 14	-	-
220	→	8 x 8 x 10	→	10 x 10 x 10	12.5 x 12.5 x 13	12.5 x 12.5 x 13	12.5 x 12.5 x 16
330	8 x 8 x 10	10 x 10 x 10	10 x 10 x 14	12.5 x 12.5 x 13	12.5 x 12.5 x 13	12.5 x 12.5 x 16	16 x 16 x 16
							16 x 16 x 21
							18 x 18 x 16
470	10 x 10 x 10	10 x 10 x 14	12.5 x 12.5 x 13	12.5 x 12.5 x 16	12.5 x 12.5 x 16	16 x 16 x 16	16 x 16 x 21
							18 x 18 x 16
							18 x 18 x 21
680	10 x 10 x 14	12.5 x 12.5 x 13	12.5 x 12.5 x 16	→	16 x 16 x 16	16 x 16 x 21	
						18 x 18 x 16	
820	→	→	→	→	16 x 16 x 21	18 x 18 x 16	
						18 x 18 x 21	
						-	
1000	→	12.5 x 12.5 x 16	16 x 16 x 16	16 x 16 x 16	18 x 18 x 16	18 x 18 x 21	-
			16 x 16 x 21	16 x 16 x 21			-
1200	→	→	→	→	18 x 18 x 21	-	-
1500	→	→	16 x 16 x 16	16 x 16 x 21	18 x 18 x 21	-	-
			18 x 18 x 16	18 x 18 x 16			
2200	→	16 x 16 x 16	16 x 16 x 21	18 x 18 x 21	-	-	-
			18 x 18 x 21	-			
3300	→	16 x 16 x 21	18 x 18 x 21	-	-	-	-
		18 x 18 x 16	-	-	-	-	-
4700	→	18 x 18 x 21	-	-	-	-	-

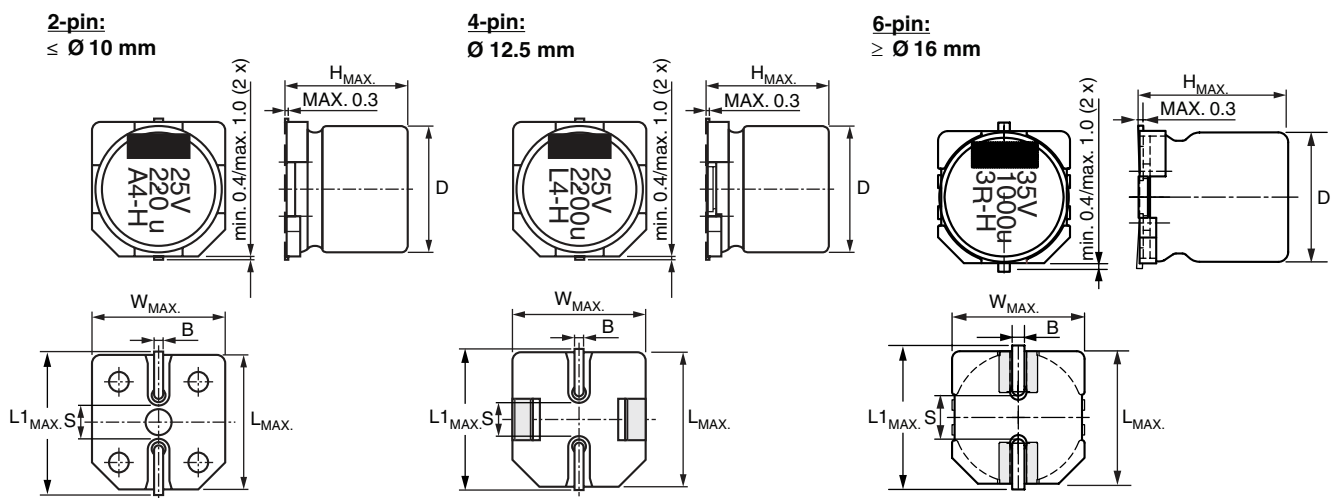


Fig.2 Dimensional outline

Table 1

<b>DIMENSIONS</b> in millimeters <b>AND MASS</b>									
NOMINAL CASE SIZE L x W x H	CASE CODE	L <sub>MAX.</sub>	W <sub>MAX.</sub>	H <sub>MAX.</sub>	Ø D	B <sub>MAX.</sub>	S	L1 <sub>MAX.</sub>	MASS (g)
8 x 8 x 10	0810	8.5	8.5	10.5	8.0	1.0	2.2	10.2	≈ 1.0
10 x 10 x 10	1010	10.5	10.5	10.5	10.0	1.0	3.5	12.1	≈ 1.3
10 x 10 x 14	1014	10.5	10.5	14.3	10.0	1.0	3.5	12.1	≈ 1.5
12.5 x 12.5 x 13	1213	12.9	12.9	14.0	12.5	1.3	3.6	14.9	≈ 2.6
12.5 x 12.5 x 16	1216	12.9	12.9	16.5	12.5	1.3	3.6	14.9	≈ 2.8
16 x 16 x 16	1616	16.6	16.6	17.5	16.0	1.3	6.5	18.6	≈ 5.5
16 x 16 x 21	1621	16.6	16.6	22.0	16.0	1.3	6.5	18.6	≈ 6.0
18 x 18 x 16	1816	19.0	19.0	17.5	18.0	1.3	6.5	21.0	≈ 8.0
18 x 18 x 21	1821	19.0	19.0	22.0	18.0	1.3	6.5	21.0	≈ 8.3

Table 2

<b>TAPE AND REEL DIMENSIONS</b> in millimeters, <b>PACKAGING QUANTITIES</b>						
NOMINAL CASE SIZE L x W x H	CASE CODE	PITCH P <sub>1</sub>	TAPE WIDTH W	TAPE THICKNESS T <sub>2</sub>	REEL DIAMETER	PACKAGING QUANTITY PER REEL
8 x 8 x 10	0810	16	24	11.6	380	500
10 x 10 x 10	1010	16	24	11.6	380	500
10 x 10 x 14	1014	16	24	15.4	330	250
12.5 x 12.5 x 13	1213	20	24	16.2	380	250
12.5 x 12.5 x 16	1216	24	32	18.5	380	200
16 x 16 x 16	1616	28	44	18.9	380	150
16 x 16 x 21	1621	28	44	23.4	380	100
18 x 18 x 16	1816	32	44	18.9	380	150
18 x 18 x 21	1821	32	44	23.4	380	100

**Note**

- Detailed tape dimensions see section 'PACKAGING'.

**MOUNTING**

The capacitors are designed for automatic placement on to printed-circuit boards.

Optimum dimensions of soldering pads depend amongst others on soldering method, mounting accuracy, print layout and/or adjacent components.

For recommended soldering pad dimensions, refer to Fig.3 and Table 3.

**SOLDERING**

Soldering conditions are defined by the curve, temperature versus time, where the temperature is that measured on the component during processing.

For maximum conditions refer to Fig.4 or Fig.5

Any temperature versus time curve which does not exceed the specified maximum curves may be applied.

As a general principle, temperature and duration shall be the **minimum** necessary required to ensure good soldering connections. However, the specified maximum curves should never be exceeded.

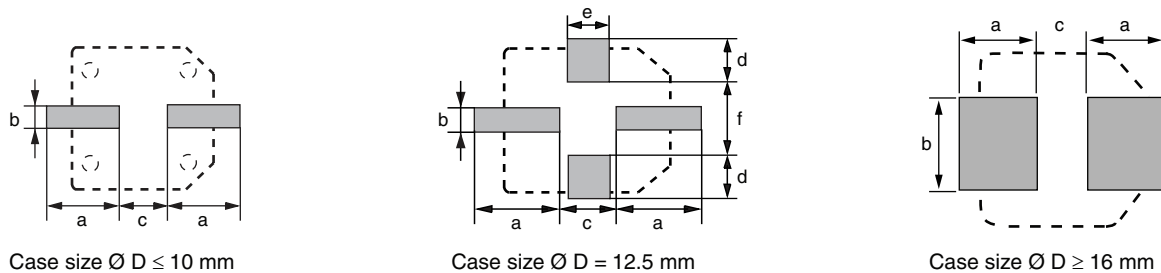


Fig.3 Recommended soldering pad dimensions

Table 3

<b>RECOMMENDED SOLDERING PAD DIMENSIONS</b> in millimeters						
CASE CODE	a	b	c	d	e	f
0810	4.4	2.5	3.0	-	-	-
1010	4.4	2.5	4.0	-	-	-
1014	4.4	2.5	4.0	-	-	-
1213	6.3	2.5	4.0	4.2	5.0	5.6
1216	6.3	2.5	4.0	4.2	5.0	5.6
1616	7.8	9.6	4.7	-	-	-
1621	7.8	9.6	4.7	-	-	-
1816	8.8	9.6	4.7	-	-	-
1821	8.8	9.6	4.7	-	-	-

**STANDARD SOLDERING PROFILE FOR LEAD (Pb)-FREE REFLOW PROCESS**

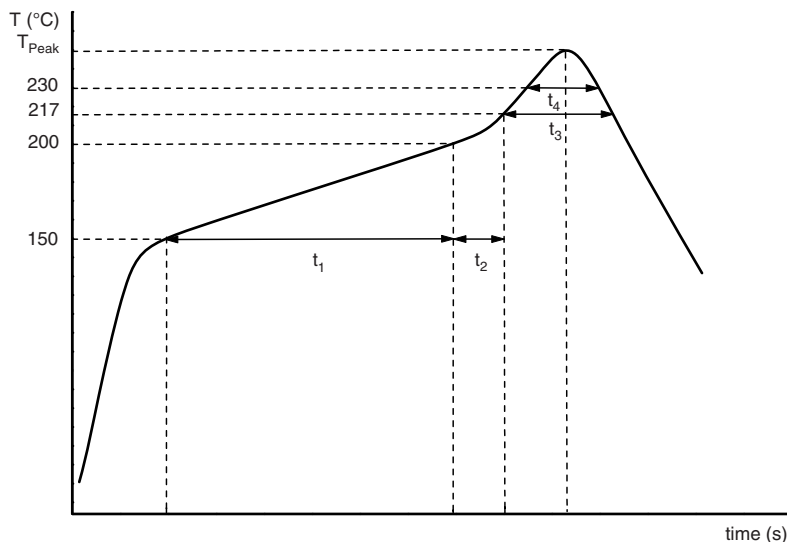


Fig.4 Maximum temperature load during reflow soldering

Table 4

REFLOW SOLDERING CONDITIONS for MAL214097xxxE3		
PROFILE FEATURES	CASE CODE 0810 to 1014	CASE CODE 1213 to 1216
Max. time from 25 °C to T <sub>Peak</sub>	240 s	200 s
Min. ramp-up rate to 150 °C	3 K/s	3 K/s
Max. time from 150 °C to 200 °C, (t <sub>1</sub> )	150 s	120 s
Ramp up rate from 200 °C to T <sub>Peak</sub>	0.5 K/s to 3 K/s	0.5 K/s to 3 K/s
Max. time from 200 °C to 217 °C, (t <sub>2</sub> )	60 s	60 s
Max. time above T <sub>Liquidus</sub> (217 °C) (t <sub>3</sub> )	90 s	60 s
Max. time above 230 °C (t <sub>4</sub> )	40 s	30 s
Peak temperature T <sub>Peak</sub>	250 °C	240 °C
Max. time above T <sub>Peak</sub> minus 5 °C	5 s	10 s
Max. ramp-down rate from T <sub>Liquidus</sub>	3 K/s to 6 K/s	3 K/s to 6 K/s

**Notes**

- Temperature measuring point on top of the case and on terminals.
- Max. 2 runs with pause of min. 30 min in between.

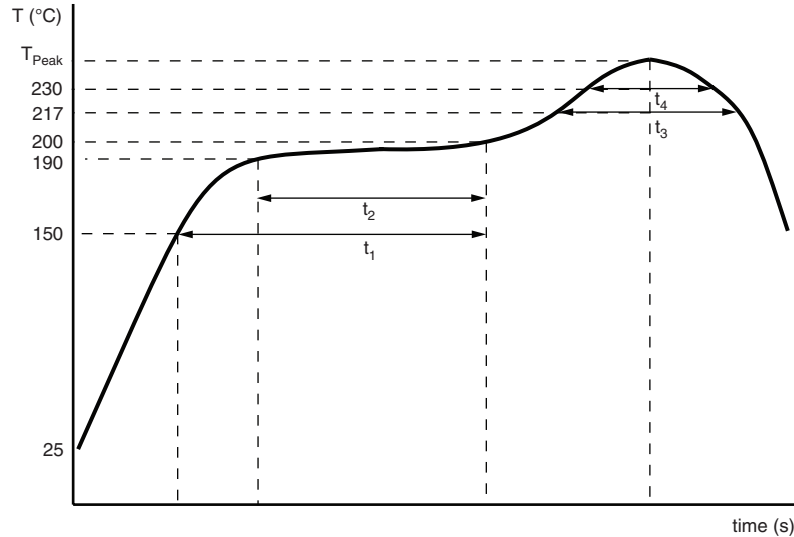
**ADVANCED SOLDERING PROFILE FOR LEAD (Pb)-FREE REFLOW PROCESS  
 ACCORDING TO JEDEC J-STD-020**


Fig.5 Maximum temperature load during reflow soldering

Table 5

<b>REFLOW SOLDERING CONDITIONS</b> for MAL214099xxxE3			
<b>PROFILE FEATURES</b>	<b>CASE CODE 1010</b>	<b>CASE CODE 1213 to 1216</b>	<b>CASE CODE 1616 to 1821</b>
Max. time from 25 °C to $T_{Peak}$	300 s	300 s	300 s
Min. ramp-up rate to 150 °C	3 K/s	3 K/s	3 K/s
Max. time from 150 °C to 200 °C, ( $t_1$ )	150 s	150 s	150 s
Max. time from 190 °C to 200 °C, ( $t_2$ )	110 s	110 s	110 s
Ramp up rate from 200 °C to $T_{Peak}$	0.5 K/s to 3 K/s	0.5 K/s to 3 K/s	0.5 K/s to 3 K/s
Max. time above $T_{Liquidus}$ (217 °C) ( $t_3$ )	90 s	90 s	90 s
Max. time above 230 °C ( $t_4$ )	70 s	65 s	60 s
Peak temperature $T_{Peak}$	260 °C	250 °C	245 °C
Max. time above $T_{Peak}$ minus 5 °C	40 s	30 s	30 s
Ramp-down rate from $T_{Liquidus}$	3 K/s to 6 K/s	3 K/s to 6 K/s	3 K/s to 6 K/s

**Notes**

- Temperature measuring point on top of the case and on terminals.
- Max. 2 runs with pause of min. 30 min in between.

ELECTRICAL DATA	
SYMBOL	DESCRIPTION
$C_R$	rated capacitance at 100 Hz, tolerance $\pm 20\%$
$I_R$	rated RMS ripple current at 100 kHz, 125 °C
$I_{L2}$	max. leakage current after 2 minutes at $U_R$
$\tan \delta$	max. dissipation factor at 100 Hz
$Z$	max. impedance at 100 kHz

**Note**

- Unless otherwise specified, all electrical values in Table 6 apply at  $T_{amb} = 20\text{ °C}$ ,  $P = 86\text{ kPa}$  to  $106\text{ kPa}$ ,  $RH = 45\%$  to  $75\%$

Table 6

ELECTRICAL DATA AND ORDERING INFORMATION								
$U_R$ (V)	$C_R$ ( $\mu\text{F}$ )	NOMINAL CASE SIZE L x W x H (mm)	$I_R$ 100 kHz 125 °C (mA)	$I_{L2}$ 2 min ( $\mu\text{A}$ )	$\tan \delta$ 100 Hz	$Z$ 100 kHz 20 °C ( $\Omega$ )	ORDERING CODE (1) MAL2140...	ORDERING CODE (2) MAL2140...
6.3	330	8 x 8 x 10	180	21	0.30	0.40	97303E3	-
	470	10 x 10 x 10	300	30	0.30	0.25	97301E3	99301E3
	680	10 x 10 x 14	430	43	0.30	0.20	97302E3	-
10	220	8 x 8 x 10	180	22	0.26	0.40	97403E3	-
	330	10 x 10 x 10	300	33	0.26	0.25	97401E3	99401E3
	470	10 x 10 x 14	430	47	0.26	0.20	97402E3	-
	680	12.5 x 12.5 x 13	750	68	0.22	0.12	97411E3	99411E3
	1000	12.5 x 12.5 x 16	900	100	0.22	0.09	97412E3	99412E3
	2200	16 x 16 x 16	1000	220	0.24	0.08	-	99413E3
	3300	16 x 16 x 21	1200	330	0.24	0.06	-	99414E3
	3300	18 x 18 x 16	1200	330	0.26	0.08	-	99415E3
16	4700	18 x 18 x 21	1550	470	0.28	0.06	-	99416E3
	150	8 x 8 x 10	180	24	0.22	0.40	97502E3	-
	330	10 x 10 x 14	430	53	0.22	0.20	97501E3	-
	470	12.5 x 12.5 x 13	750	75	0.18	0.12	97511E3	99511E3
	680	12.5 x 12.5 x 16	900	108	0.18	0.09	97512E3	99512E3
	1000	16 x 16 x 16	1100	160	0.18	0.08	-	99513E3
	1000	16 x 16 x 21	1200	160	0.18	0.06	-	99514E3
	1500	16 x 16 x 16	1100	240	0.18	0.08	-	99515E3
	1500	18 x 18 x 16	1200	240	0.18	0.08	-	99516E3
	2200	16 x 16 x 21	1200	352	0.20	0.06	-	99517E3
	2200	18 x 18 x 21	1550	352	0.20	0.06	-	99518E3
3300	18 x 18 x 21	1550	528	0.22	0.06	-	99519E3	
25	100	8 x 8 x 10	180	25	0.18	0.40	97602E3	-
	220	10 x 10 x 10	300	55	0.18	0.25	97601E3	99601E3
	330	12.5 x 12.5 x 13	750	82	0.16	0.12	97611E3	99611E3
	470	12.5 x 12.5 x 16	900	117	0.16	0.09	97612E3	99612E3
	1000	16 x 16 x 16	1100	250	0.16	0.08	-	99613E3
	1000	16 x 16 x 21	1200	250	0.16	0.06	-	99614E3
	1500	16 x 16 x 21	1200	375	0.16	0.06	-	99615E3
	1500	18 x 18 x 16	1200	375	0.16	0.08	-	99616E3
	2200	18 x 18 x 21	1550	550	0.18	0.06	-	99617E3

**Notes**

(1) Standard reflow soldering profile, see Fig.4 and Table 4

(2) Advanced reflow soldering profile, according to JEDEC J-STD-020, see Fig.5 and Table 5

**ORDERING EXAMPLE**

Electrolytic capacitor 140 CRH series

220  $\mu\text{F}/50\text{ V}$ ;  $\pm 20\%$ 

Nominal case size: 12.5 mm x 12.5 mm x 13 mm; taped on reel

Ordering code: MAL214099111E3



Aluminum Capacitors  
SMD (Chip), High Temperature

Vishay BCcomponents

ELECTRICAL DATA AND ORDERING INFORMATION								
U <sub>R</sub> (V)	C <sub>R</sub> (μF)	NOMINAL CASE SIZE L x W x H (mm)	I <sub>R</sub> 100 kHz 125 °C (mA)	I <sub>L2</sub> 2 min (μA)	tan δ 100 Hz	Z 100 kHz 20 °C (Ω)	ORDERING CODE (1) MAL2140...	ORDERING CODE (2) MAL2140...
35	68	8 x 8 x 10	180	24	0.14	0.40	97003E3	-
	100	10 x 10 x 10	255	35	0.14	0.25	97001E3	99001E3
	150	10 x 10 x 14	317	53	0.14	0.20	97002E3	-
	220	12.5 x 12.5 x 13	750	77	0.14	0.12	97011E3	99011E3
	330	12.5 x 12.5 x 13	750	115	0.14	0.12	97012E3	99012E3
	470	12.5 x 12.5 x 16	900	164	0.14	0.09	97013E3	99013E3
	680	16 x 16 x 16	1100	238	0.14	0.08	-	99014E3
	820	16 x 16 x 21	1200	287	0.14	0.06	-	99015E3
	1000	18 x 18 x 16	1200	350	0.14	0.08	-	99016E3
	1200	18 x 18 x 21	1550	420	0.14	0.06	-	99017E3
1500	18 x 18 x 21	1550	525	0.14	0.06	-	99018E3	
50	47	8 x 8 x 10	145	24	0.14	0.70	97103E3	-
	68	10 x 10 x 10	205	34	0.14	0.50	97101E3	99101E3
	100	10 x 10 x 14	255	50	0.14	0.40	97102E3	-
	220	12.5 x 12.5 x 13	750	110	0.12	0.23	97111E3	99111E3
	330	12.5 x 12.5 x 16	900	165	0.12	0.18	97112E3	99112E3
	470	16 x 16 x 16	900	235	0.12	0.15	-	99113E3
	680	16 x 16 x 21	1000	340	0.12	0.13	-	99114E3
	680	18 x 18 x 16	1000	340	0.12	0.15	-	99115E3
	820	18 x 18 x 16	1000	410	0.12	0.15	-	99116E3
	820	18 x 18 x 21	1050	410	0.12	0.13	-	99117E3
1000	18 x 18 x 21	1050	500	0.12	0.13	-	99118E3	
63	10	8 x 8 x 10	145	6.3	0.12	0.70	97805E3	-
	22	8 x 8 x 10	145	14	0.12	0.70	97803E3	-
	33	8 x 8 x 10	145	21	0.12	0.70	97804E3	-
	47	10 x 10 x 10	205	30	0.12	0.50	97801E3	99801E3
	68	10 x 10 x 14	255	43	0.12	0.40	97802E3	-
	100	12.5 x 12.5 x 13	500	63	0.10	0.25	97811E3	99811E3
	220	12.5 x 12.5 x 16	600	138	0.10	0.20	97812E3	99812E3
	330	16 x 16 x 16	700	208	0.10	0.18	-	99813E3
	330	16 x 16 x 21	750	208	0.10	0.15	-	99814E3
	330	18 x 18 x 16	750	208	0.10	0.18	-	99815E3
	470	16 x 16 x 21	750	296	0.10	0.15	-	99816E3
	470	18 x 18 x 16	750	296	0.10	0.18	-	99817E3
	470	18 x 18 x 21	900	296	0.10	0.15	-	99818E3
	680	18 x 18 x 21	900	428	0.10	0.15	-	99819E3

Notes

(1) Standard reflow soldering profile, see fig.4 and table 4

(2) Advanced reflow soldering profile, according to JEDEC J-STD-020, see fig.5 and table 5





Table 7

ADDITIONAL ELECTRICAL DATA		
PARAMETER	CONDITIONS	VALUE
<b>Voltage</b>		
Surge voltage for short periods	IEC 60384-18, subclause 4.14	$U_s \leq 1.15 \times U_R$
Reverse voltage for short periods	IEC 60384-18, subclause 4.16	$U_{rev} \leq 1 \text{ V}$
<b>Current</b>		
Leakage current	After 2 minutes at $U_R$	$I_{L2} \leq 0.01 \times C_R \times U_R$
<b>Inductance</b>		
Equivalent series inductance (ESL)	$\varnothing D = 8 \text{ mm}$	typ. 6 nH
	$\varnothing D = 10 \text{ mm}$	typ. 8 nH
	$\varnothing D \geq 12.5 \text{ mm}$	typ. 11 nH
<b>Resistance</b>		
Equivalent series resistance (ESR) at 100 Hz	Calculated from $\tan \delta_{max.}$ and $C_R$ (see Table 6)	$ESR = \tan \delta / 2 \pi f C_R$

### CAPACITANCE (C)

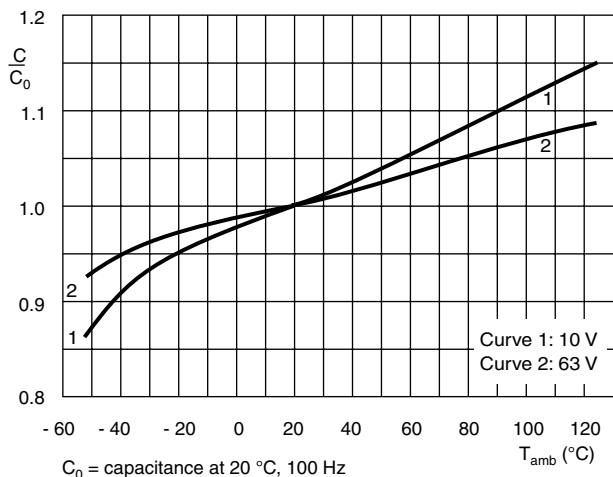


Fig.6 Typical multiplier of capacitance as a function of ambient temperature

### DISSIPATION FACTOR (tan δ)

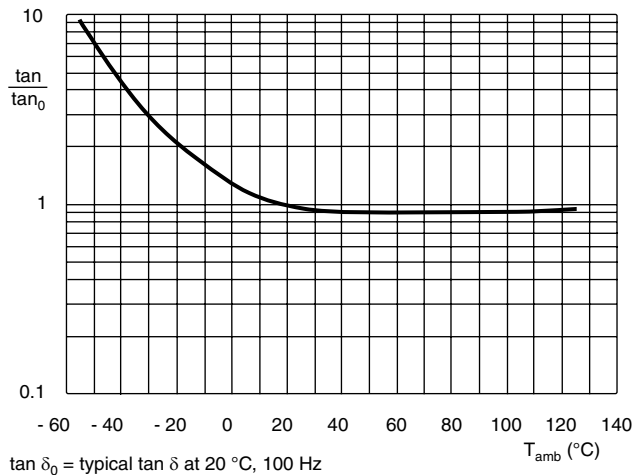


Fig.7 Typical multiplier of dissipation factor (tan δ) as a function of ambient temperature

**EQUIVALENT SERIES RESISTANCE (ESR)**

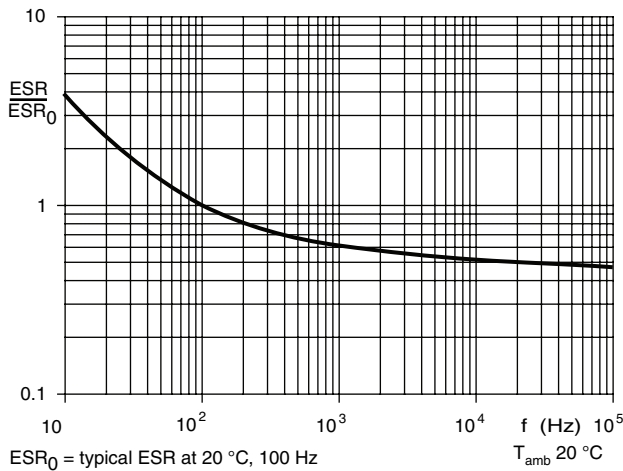


Fig.8 Typical multiplier of ESR as a function of frequency

**IMPEDANCE (Z)**

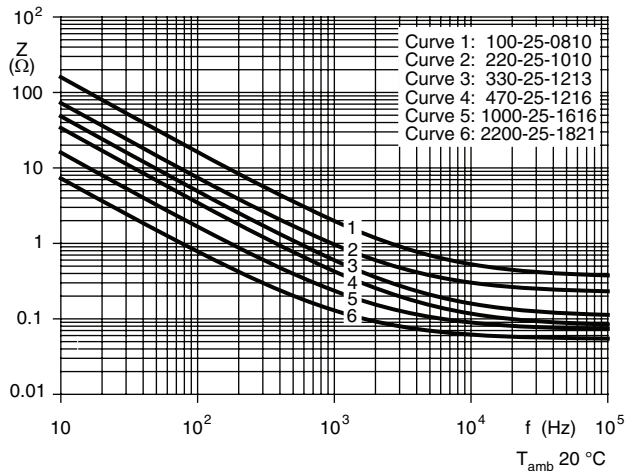


Fig.9 Typical impedance as a function of frequency

**IMPEDANCE (Z)**

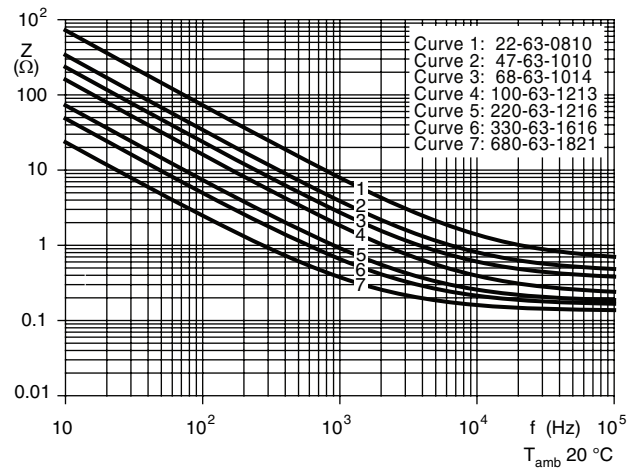


Fig.10 Typical impedance as a function of frequency

**RIPPLE CURRENT AND USEFUL LIFE**

Table 8

ENDURANCE TEST DURATION AND USEFUL LIFE AS A FUNCTION OF CASE SIZE				
NOMINAL CASE SIZE Ø D X L (mm)	CASE CODE	ENDURANCE AT 125 °C (h)	USEFUL LIFE AT 125 °C (h)	USEFUL LIFE AT 40 °C 1.8 x I <sub>R</sub> APPLIED (h)
8 x 8 x 10	0810	1000	1500	150 000
10 x 10 x 10	1010	1000	1500	150 000
10 x 10 x 14	1014	1000	1500	150 000
12.5 x 12.5 x 13	1213	2000	3000	300 000
12.5 x 12.5 x 16	1216	2000	3000	300 000
16 x 16 x 16	1616	3000	5000	350 000
16 x 16 x 21	1621	3000	5000	350 000
18 x 18 x 16	1816	3000	5000	350 000
18 x 18 x 21	1821	3000	5000	350 000

**RIPPLE CURRENT AND USEFUL LIFE**

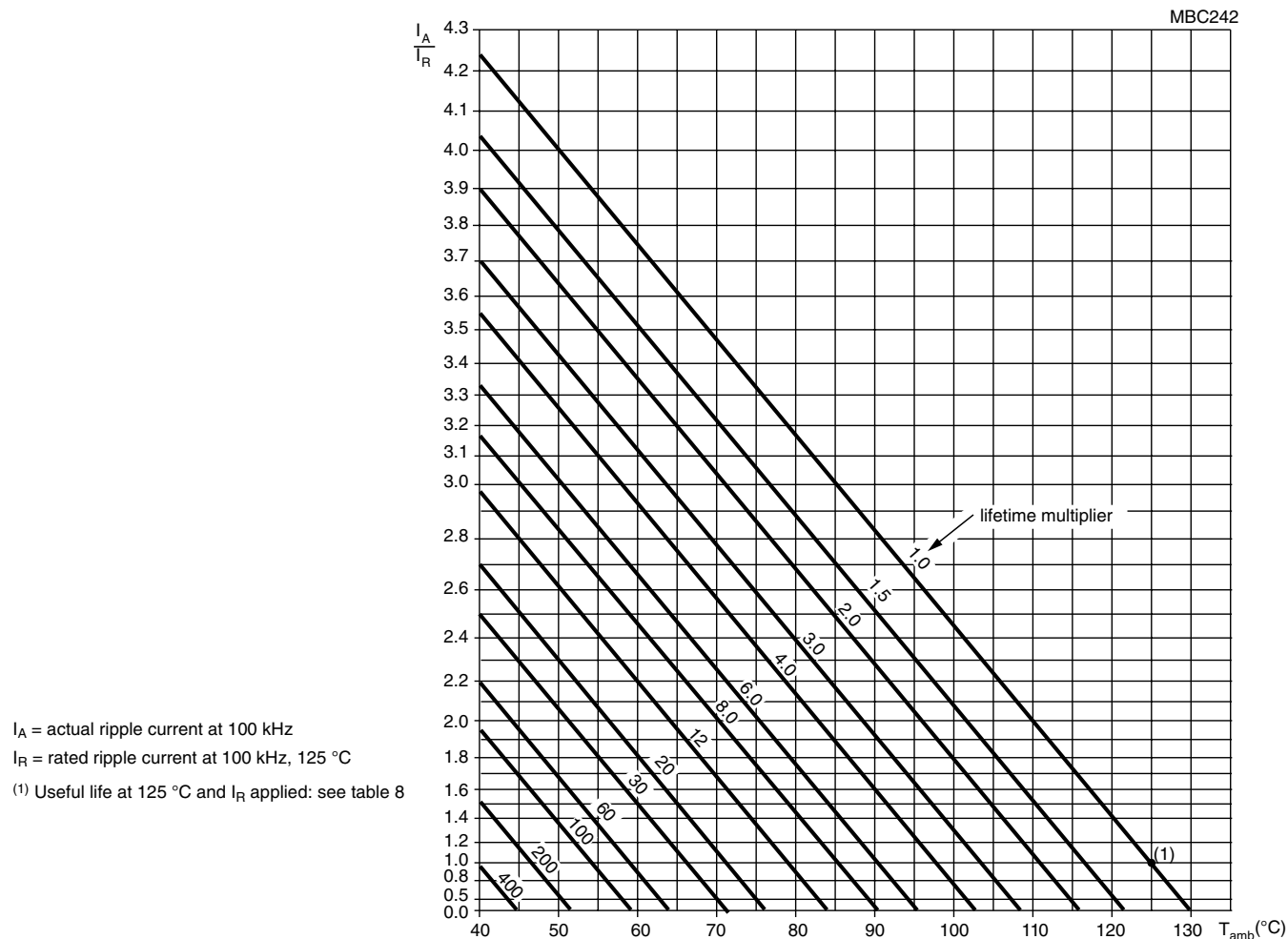


Fig.11 Multiplier of useful life as a function of ambient temperature and ripple current load

Table 9

MULTIPLIER OF RIPPLE CURRENT ( $I_R$ ) AS A FUNCTION OF FREQUENCY			
FREQUENCY (Hz)	$I_R$ MULTIPLIER		
	$U_R = 6.3 \text{ V to } 25 \text{ V}$	$U_R = 35 \text{ V and } 50 \text{ V}$	$U_R = 63 \text{ V}$
50	0.60	0.45	0.40
100	0.70	0.60	0.55
300	0.80	0.75	0.70
1000	0.85	0.85	0.85
3000	0.90	0.90	0.90
10 000	0.95	0.95	0.95
30 000	0.97	0.97	0.97
100 000	1.00	1.00	1.00



Table 10

TEST PROCEDURES AND REQUIREMENTS			
TEST		PROCEDURE (QUICK REFERENCE)	REQUIREMENTS
NAME OF TEST	REFERENCE		
Mounting	IEC 60384-18, subclause 4.3	Shall be performed prior to tests mentioned below; reflow soldering; for maximum temperature load refer to chapter "Mounting"	$\Delta C/C: \pm 5 \%$ $\tan \delta \leq \text{spec. limit}$ $I_{L2} \leq \text{spec. limit}$
Endurance	IEC 60384-18/ CECC 32300, subclause 4.15	$T_{amb} = 125 \text{ }^\circ\text{C}$ ; $U_R$ applied; for test duration see Table 8	$U_R = 6.3 \text{ V}$ ; $\Delta C/C: \pm 25 \%$ $U_R \geq 10 \text{ V}$ ; $\Delta C/C: \pm 20 \%$ $\tan \delta \leq 2 \times \text{spec. limit}$ $I_{L2} \leq \text{spec. limit}$
Useful life	CECC 30301, subclause 1.8.1	$T_{amb} = 125 \text{ }^\circ\text{C}$ ; $U_R$ and $I_R$ applied; for test duration see Table 8	$\Delta C/C: \pm 30 \%$ $\tan \delta \leq 3 \times \text{spec. limit}$ $I_{L2} \leq \text{spec. limit}$ no short or open circuit total failure percentage: $\leq 1 \%$
Shelf life (storage at high temperature)	IEC 60384-18/ CECC 32300, subclause 4.17	$T_{amb} = 125 \text{ }^\circ\text{C}$ ; no voltage applied; 1000 h after test: $U_R$ to be applied for 30 min, 24 h to 48 h before measurement	for requirements see 'Endurance test' above
Reverse voltage	IEC 60384-18/ CECC 32300, subclause 4.16	$T_{amb} = 125 \text{ }^\circ\text{C}$ : 125 h at $U = -0.5 \text{ V}$ , followed by 125 h at $U_R$	$\Delta C/C: \pm 15 \%$ $\tan \delta \leq 1.5 \times \text{spec. limit}$ $I_{L2} \leq \text{spec. limit}$



## Disclaimer

All product specifications and data are subject to change without notice.

Vishay Intertechnology, Inc., its affiliates, agents, and employees, and all persons acting on its or their behalf (collectively, "Vishay"), disclaim any and all liability for any errors, inaccuracies or incompleteness contained herein or in any other disclosure relating to any product.

Vishay disclaims any and all liability arising out of the use or application of any product described herein or of any information provided herein to the maximum extent permitted by law. The product specifications do not expand or otherwise modify Vishay's terms and conditions of purchase, including but not limited to the warranty expressed therein, which apply to these products.

No license, express or implied, by estoppel or otherwise, to any intellectual property rights is granted by this document or by any conduct of Vishay.

The products shown herein are not designed for use in medical, life-saving, or life-sustaining applications unless otherwise expressly indicated. Customers using or selling Vishay products not expressly indicated for use in such applications do so entirely at their own risk and agree to fully indemnify Vishay for any damages arising or resulting from such use or sale. Please contact authorized Vishay personnel to obtain written terms and conditions regarding products designed for such applications.

Product names and markings noted herein may be trademarks of their respective owners.