



Extract from the online catalog

MACX MCR-SL-CAC-5-I-UP

Order No.: 2810625



<http://eshop.phoenixcontact.de/phoenix/treeViewClick.do?UID=2810625>

Current measuring transducer for 1 A and 5 A AC, the output signal 0...20 mA or 4...20 mA, can be configured using a DIP switch with an operating mode indication through an LED

Commercial data	
EAN	4046356153782
Pack	1 pcs.
Customs tariff	85437090
Weight/Piece	0.1831 KG
Catalog page information	Page 393 (IF-2009)

Product notes

WEEE/RoHS-compliant since:
10/02/2008



<http://www.download.phoenixcontact.com>
Please note that the data given here has been taken from the online catalog. For comprehensive information and data, please refer to the user documentation. The General Terms and Conditions of Use apply to Internet downloads.

Product description

Die Strommessumformer MACX MCR-SL-CAC-5-I(-UP) wandeln sinusförmige Wechselströme von 1 A oder 5 A in analoge Normsignale 0...20 mA oder 4...20 mA um. Die an der Gehäuseoberseite zugänglichen DIP-Schalter ermöglichen die Konfiguration des Eingangs- und Ausgangsstroms.

Der Strommessumformer MACX MCR-SL-CAC-5-I enthält einen Versorgungsspannungsbereich von 19,2 V DC bis 30 V DC.

Der Strommessumformer MACX MCR-SL-CAC-5-I-UP enthält eine Weitbereichsvariante mit einem Versorgungsspannungsbereich von 19,2 V AC/DC bis 253 V AC/DC.

MACX MCR-SL-CAC-5-I-UP Order No.: 2810625
http://eshop.phoenixcontact.de/phoenix/treeViewClick.do?UID=2810625

Technical data

Input data

Configurable/programmable	through DIP switch
Setting range for min. input current	0 A AC ... 1 A AC (configurable)
Setting range for max. input current	0 A AC ... 5 A AC (configurable)
Overload capacity	2 x I _N (continuous)
Surge strength	20 x I _N (1 s)
Nominal frequency f _N	50 Hz
Frequency measuring range	45 Hz ... 65 Hz
Type of connection	Screw terminal block

Output data

Output name	Current output
Configurable/programmable	through DIP switch
Current output signal	0 mA ... 20 mA (configurable) 4 mA ... 20 mA (configurable)
Max. output current	25 mA
Load/output load current output	< 500 Ω (at 20 mA)
Status display	LED red (error), LED green (ready)

Power supply

Nominal supply voltage	24 V DC (or 230 V AC)
Range of supply voltages	19.2 V AC/DC ... 253 V AC/DC
Max. current consumption	< 30 mA (for 24 V DC) < 13 mA (for 230 V AC)
Power consumption	< 0.75 W (for 24 V DC) < 3 VA (for 230 V AC)

Connection data

Type of connection	Screw connection
Conductor cross section solid min.	0.2 mm ²
Conductor cross section solid max.	2.5 mm ²
Conductor cross section stranded min.	0.2 mm ²
Conductor cross section stranded max.	2.5 mm ²
Conductor cross section AWG/kcmil min.	24
Conductor cross section AWG/kcmil max	14

MACX MCR-SL-CAC-5-I-UP Order No.: 2810625
<http://eshop.phoenixcontact.de/phoenix/treeViewClick.do?UID=2810625>

Stripping length	8 mm
Screw thread	M3
General data	
Width	22.5 mm
Height	104 mm
Depth	114.5 mm
Transmission error, max.	≤ 0.5 % (of range nominal value under nominal conditions)
Maximum temperature coefficient	< 0.02 %/K
Step response (10-90%)	< 300 ms
Ambient temperature (operation)	-20 °C ... 65 °C
Ambient temperature (storage/transport)	-40 °C ... 85 °C
Degree of protection	IP20
Class of protection	II
Pollution degree	2
Electromagnetic compatibility	Conformance with EMC directive 2004/108/EC
Emitted interference	EN 61000-6-4
Immunity to interference	EN 61000-6-2:2005
Color	green
Housing material	Polyamide PA non-reinforced
Mounting position	Any
Conformity	CE compliant
ATEX approval	Ex II 3 G Ex nA II T4 X
UL, USA / Canada	UL applied for

Certificates / Approvals

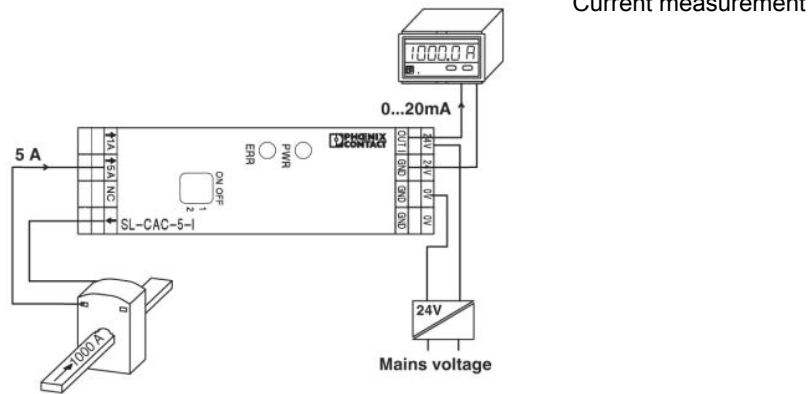


Certification	CUL, UL
Certification Ex:	PxC-EX
Certifications applied for:	UL-EX LIS / CUL-EX LIS

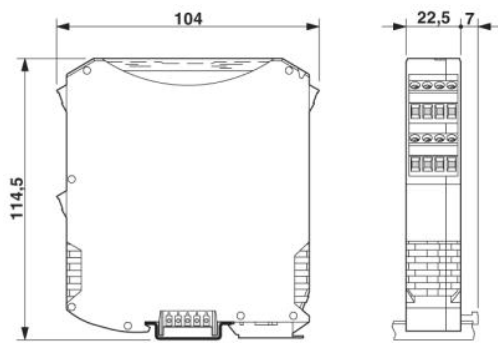
MACX MCR-SL-CAC-5-I-UP Order No.: 2810625
<http://eshop.phoenixcontact.de/phoenix/treeViewClick.do?UID=2810625>

Drawings

Application drawing



Dimensioned drawing



MACX MCR-SL-CAC-5-I-UP Order No.: 2810625
<http://eshop.phoenixcontact.de/phoenix/treeViewClick.do?UID=2810625>

Address

PHOENIX CONTACT GmbH & Co. KG
Flachsmarktstr. 8
32825 Blomberg, Germany
Phone +49 5235 3 00
Fax +49 5235 3 41200
<http://www.phoenixcontact.de>



© 2009 Phoenix Contact
Technical modifications reserved;

onlinecomponents.com