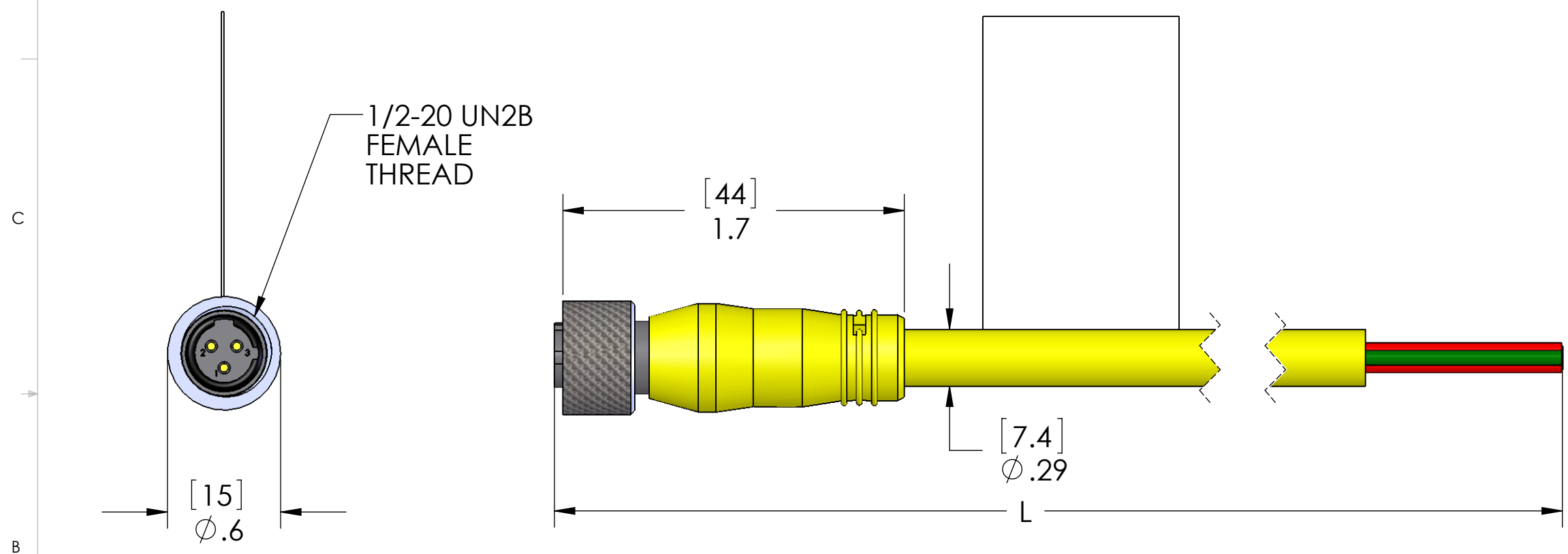


PIN #	COLOR
1	GREEN / YELLOW
2	RED w/ BLACK
3	RED w/ WHITE

REVISIONS			
REV.	DESCRIPTION	DATE	APPROVED
A	INITIAL RELEASE	7/27/2005	



P/N	L	STD?
MAC-3FPX-3	36"	YES
MAC-3FPX-6	79"	YES
MAC-3FPX-12	144"	YES
MAC-3FPX-15	180"	NO
MAC-3FPX-20	240"	YES
MAC-3FPX-30	360"	YES
MAC-3FPX-40	480"	NO
MAC-3FPX-50	600"	NO
MAC-3FPX-60	720"	NO
MAC-3FPX-100	1200"	NO

MATERIALS	
BODY:	YELLOW PVC
CONTACTS:	GOLD PLATED COPPER ALLOY
CABLE:	18/3 AWM 2661 YELLOW PVC JACKET
COUPLING:	NICKEL PLATED BRASS
INSERT:	POLYAMIDE
O-RING:	BUNA N

APPROVALS:	
US	UL RECOGNIZED
CANADA	C-UL RECOGNIZED

PROPRIETARY AND CONFIDENTIAL
 THE INFORMATION CONTAINED IN THIS DRAWING IS THE SOLE PROPERTY OF MENCOM CORPORATION. ANY REPRODUCTION IN PART OR AS A WHOLE WITHOUT THE WRITTEN PERMISSION OF MENCOM CORPORATION IS PROHIBITED.

VOLTS	300V
AMPS	4A
TEMP	105°C
SPECIFICATIONS	

UNLESS OTHERWISE SPECIFIED:		NAME
DIMENSIONS ARE IN INCHES AND [MM]	DRAWN	DWM
	CHECKED	
	ENG APPR.	
	MFG APPR.	
	Q.A.	
MATERIAL	COMMENTS:	
FINISH		
DO NOT SCALE DRAWING		

PARTS LISTED AS NOT BEING STANDARD MAY REQUIRE MINIMUM ORDERS

MENCOM CORPORATION		
TITLE:		
3 POLE FEMALE PLUG		
SIZE	DWG. NO.	REV
B	MAC-3FPX-ZZ	A
SCALE: 1.5:1 WEIGHT:		SHEET 1 OF 1