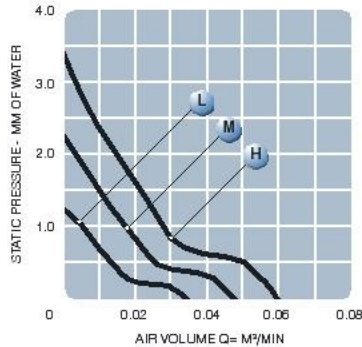


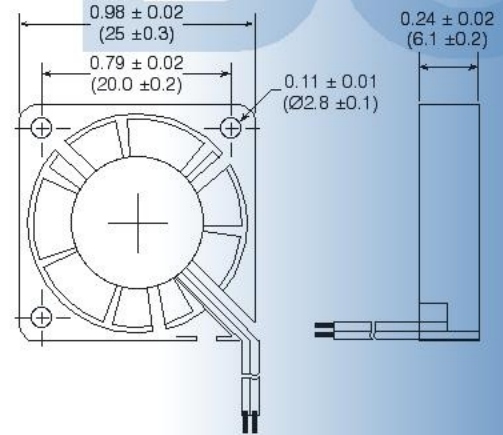
MA2506 Series

THIN PROFILE



Size: (25 x 25 x 6.1 mm)
0.98 x 0.98 x 0.24 inch

- Excellent performance in a compact size
- 5 or 12 VDC models, impedance protected
- PBT UL 94V-0 impeller and frame
- AWG 30; UL 1007 lead wires
- Ribbed style frame
- Optional tachometer output signal
- Bearing options: ball, sleeve, ball/sleeve



Model No.	Rated Voltage (V)	Operating Voltage (V)	Current (mA)	Revolution (RPM)	Air Volume		Max Static Pressure (H ₂ O)		Sound Noise (dBA)	Weight (g)
					M ³ /Min	CFM	MM	INCH		
MA2506 L	5	3 - 6.5	50	6,500	0.03	1.22	1.25	0.05	11.0	8
MA2506 M	5	3 - 6.5	60	8,500	0.05	1.65	2.30	0.09	19.0	8
MA2506 H	5	3 - 6.5	70	10,500	0.06	2.08	3.37	0.13	25.5	8
MA2506 L	12	6-13	40	6,500	0.03	1.22	1.25	0.05	11.0	8
MA2506 M	12	6-13	50	8,500	0.05	1.65	2.30	0.09	19.0	8
MA2506 H	12	6-13	60	10,500	0.06	2.08	3.37	0.13	25.5	8

DC Part Numbering System

