

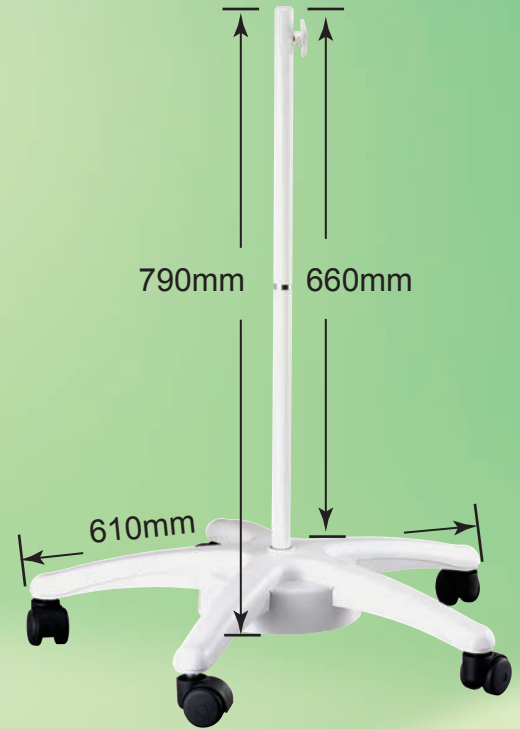
**902-463**

# Floor Stand for Magnifier Lamp

For use with magnifier lamps or bench work lights, this floor stand is conveniently mounted on casters for portability and ease of use in any work area.

- Ease of moving with 5 swivel castors in any work area.
- Weighted base for more stability

SPECIFICATION	902-463
Material	Spray painted steel tubing
Tube hole diameter	Φ13mm
Dimension (W×H1×H2)	610×660×790 mm
Weight	11 kg
Applicable to Pro'sKit magnifier lamp models	MA-1209LA · 900-061 MA-1503A · 902-109



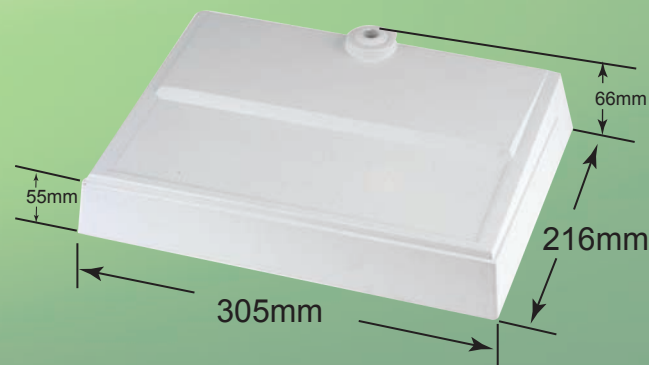
**902-462**

# Weighted Base for Magnifier Lamp

For use with both magnifier lamps or desk lamps. This weighted base allows full extension of recommended lamp arm while maintaining stability.

(Some other lamps may be too heavy for stability and don't allow full extension)

SPECIFICATION	902-462
Material	ABS with cast iron
Tube hole diameter	Φ13mm
Dimension (L×W×H1×H2)	305×216×55×66 mm
Weight	10 kg
Applicable to Pro'sKit magnifier lamp models	MA-1209LA · 902-109



Picture for reference only. Please check with distributor for exact offers. All specifications are subject to change without notice.