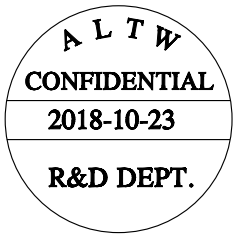
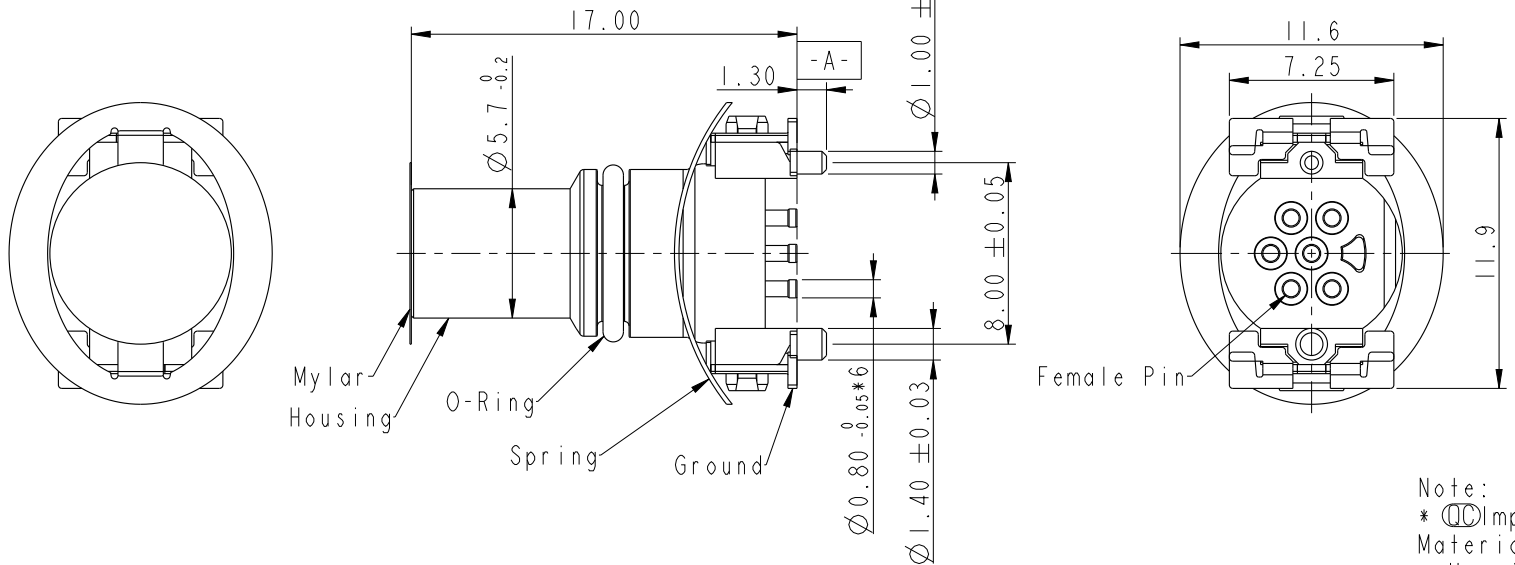


THIS DOCUMENT IS SUBJECT TO CHANGE WITHOUT NOTICE. IT IS CONFIDENTIAL AND A PROPERTY OF AMPHENOL LTW. DISCLOSURE TO THIRD PARTY HAS TO BE AUTHORIZED BY AMPHENOL LTW.

REV.	ECN NO.	DATE	SIGN	DESCRIPTION
A	Initial Release	2018/10/23	Mafei	Change Rev.01 To Rev.A



Note:
 * (CC) Important Dimension to Check
 Material Specification:
 * Housing: Thermoplastic
 * Female Pin: Copper Alloy, Gold Plated
 * Ground: Copper Alloy, Tin Plated
 * Spring: Stainless Steel
 Electrical Specification:
 * Contact Resistance: 10mΩ (Max.)
 * Insulation Resistance: 100MΩ (Min.)
 * Rated Voltage: 2 & 3Pin 60V dc. or ac.
 4 ~ 6Pin 30V dc. or ac.
 * Rated Current: 2 ~ 4Pin 3A
 5 & 6Pin 1.5A
 Mechanical Specification:
 * Durability: 1000 Cycles (IEC:100 Cycles)
 Environmental Specification:
 * Temperature Range: -55~+125°C
 * Salt Spray: 48 Hrs
 * SMT Temperature & Time: 260°C / 5 sec
 * SMT Paste: 0.12mm

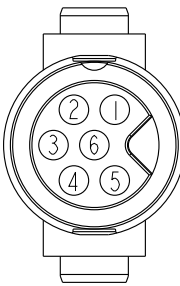
M 8 A S - X X P F F T - E E 8 0 0 1

M8AS: M8 Shield W/key	001: Serial Number
02: 2Pin	8: IP68(Mated, 1M/24Hours) IP65(Unmated)
06: 6Pin	E: None Back Shell
P: Panel	E: None Mating Style
F: Female Connector	T: SMT Type
F: Female Pin	

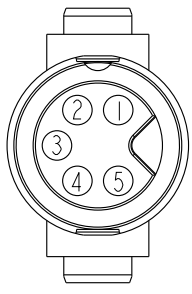
UNIT: mm TOLERANCE .X ±0.25 .XX ±0.1 .XXX ±0.05 ANGLES ±1°	TITLE M8 F CONN F PIN SMT TYPE W/KEY		Amphenol LTW 安費諾亮泰企業股份有限公司	ITEM NO	DRAWN BY Mafei	DATE 2018-10-23	
	SCALE 3:1	SIZE A4		SHEET 1 OF 4	DWG NO M8AS-XXPFFT-EE8XXX	CHECKED BY Jerry	DATE 2018-10-23
	REV. A	WC-REV. A.1		QC: Inspection item	CUSTOMER ALTW	APPROVED BY Max	DATE 2018-10-23

THIS DOCUMENT IS SUBJECT TO CHANGE WITHOUT NOTICE. IT IS CONFIDENTIAL AND A PROPERTY OF AMPHENOL LTW. DISCLOSURE TO THIRD PARTY HAS TO BE AUTHORIZED BY AMPHENOL LTW.

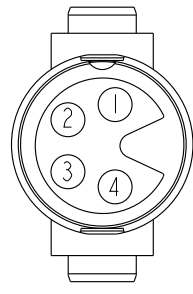
ALTW
CONFIDENTIAL
 2018-10-23
R&D DEPT.



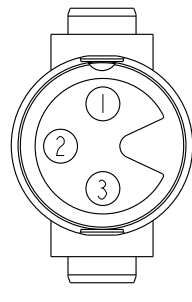
6 Pin



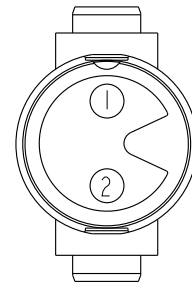
5 Pin



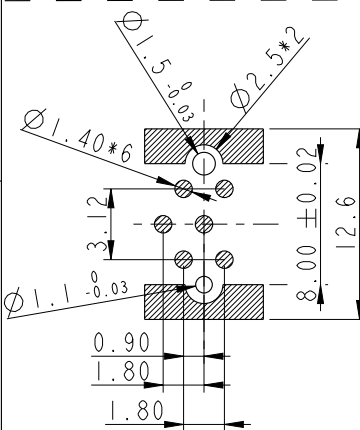
4 Pin



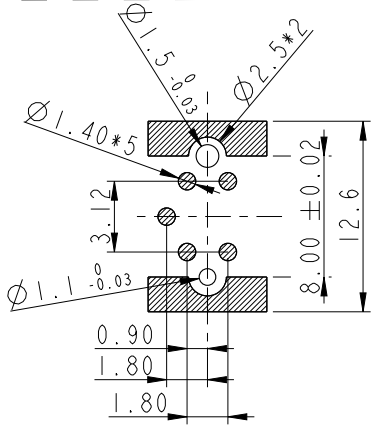
3 Pin



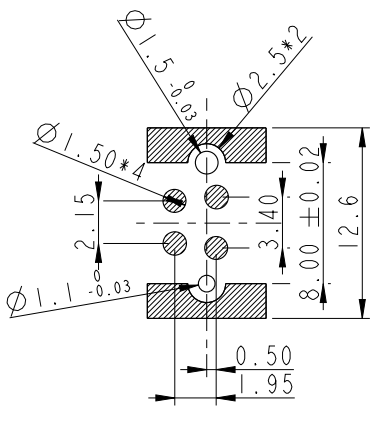
2 Pin



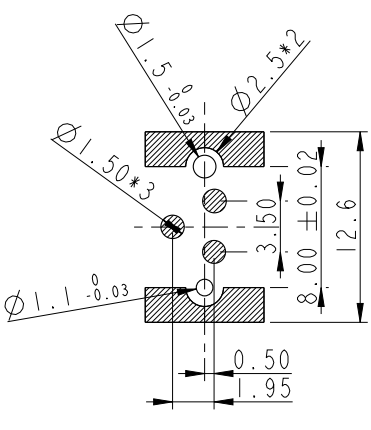
Recommended
PCB Layout



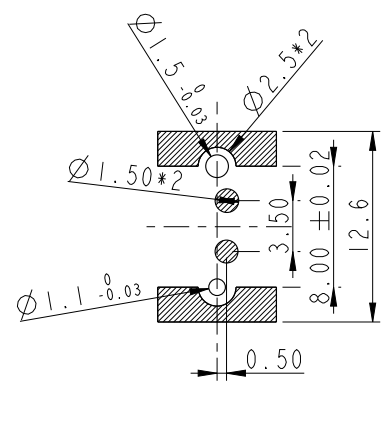
Recommended
PCB Layout



Recommended
PCB Layout



Recommended
PCB Layout



Recommended
PCB Layout

UNIT: mm		
TOLERANCE	.X	± 0.25
	.XX	± 0.1
	.XXX	± 0.05
ANGLES		$\pm 1^\circ$

TITLE M8 F CONN F PIN SMT TYPE W/KEY			
SCALE	3:1	SIZE	A4
REV.	A	WC-REV.	A.3
SHEET		2 OF 4	
QC: Inspection item			

Amphenol LTW
 安費諾亮泰企業股份有限公司

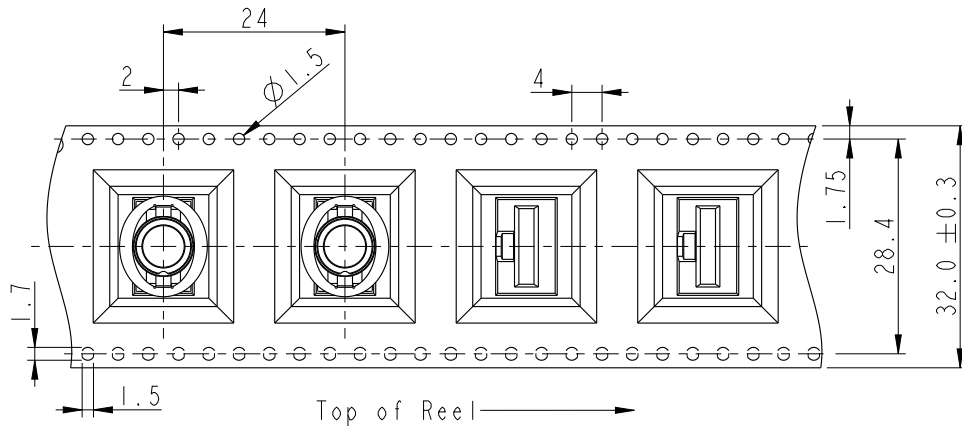
ITEM NO	
DWG NO	M8AS-XXPFFT-EE8XXX
CUSTOMER	ALTW

DRAWN BY	Mafei
CHECKED BY	Jerry
APPROVED BY	Max

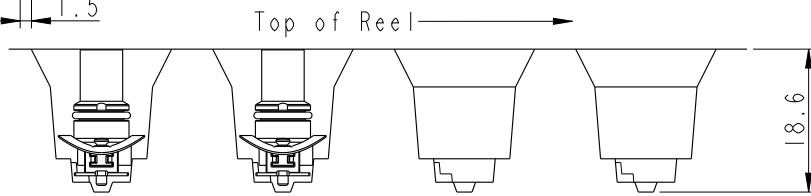
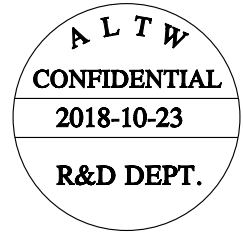
DATE	2018-10-23
DATE	2018-10-23
DATE	2018-10-23

THIS DOCUMENT IS SUBJECT TO CHANGE WITHOUT NOTICE. IT IS CONFIDENTIAL AND A PROPERTY OF Amphenol LTW. DISCLOSURE TO THIRD PARTY HAS TO BE AUTHORIZED BY Amphenol LTW.

Tape & Reel Information:

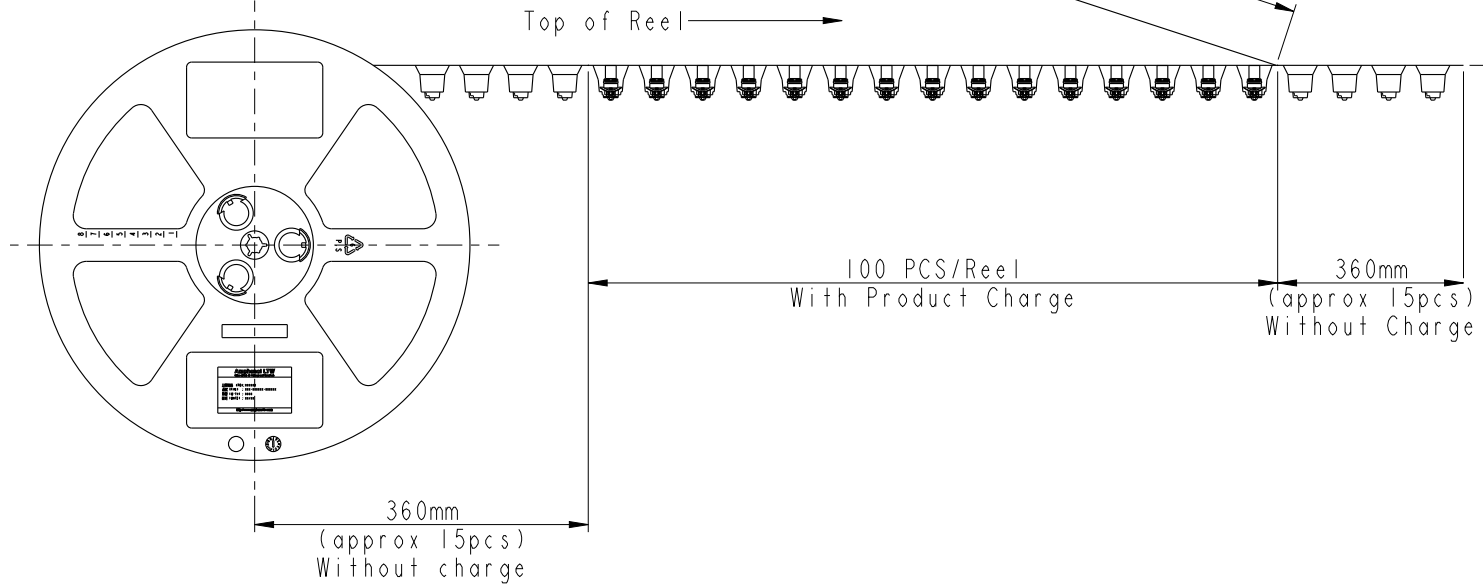
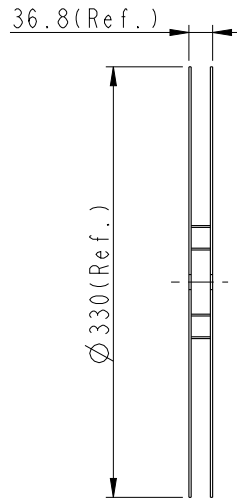


Note:
 * Connector Orientation Follow Drawing



Wide Cover Tape Around
 Out Periphery 1 Turn

Peeling Strength 0.1~1.3N Max.
 (300±10mm/min)
 Peeling Angle
 165~180°



UNIT: mm	
TOLERANCE	
.X	±0.25
.XX	±0.1
.XXX	±0.05
ANGLES	±1°

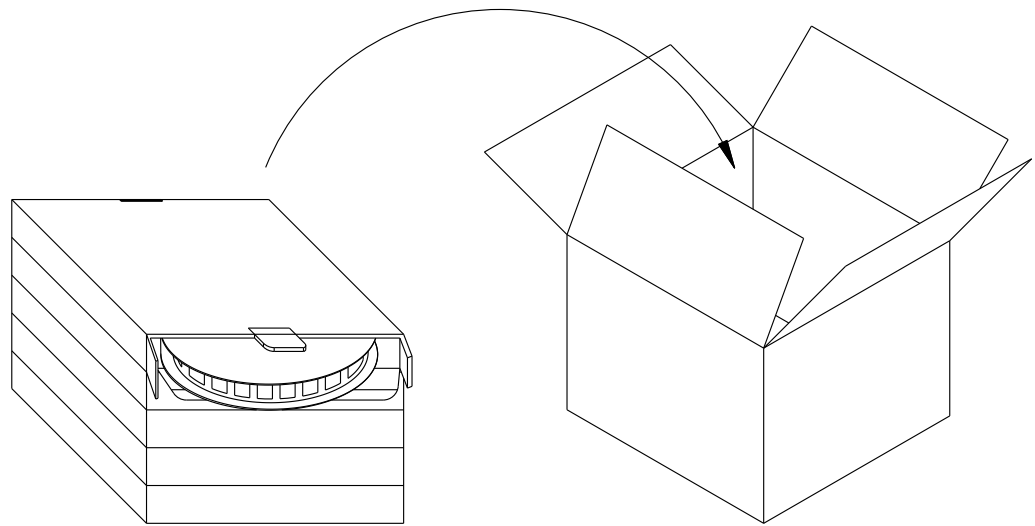
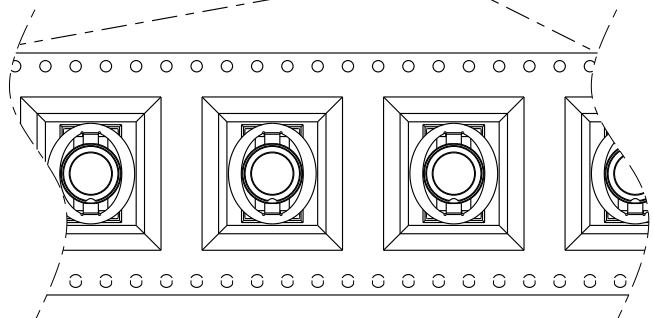
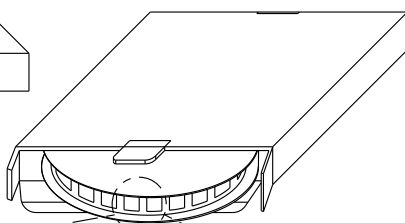
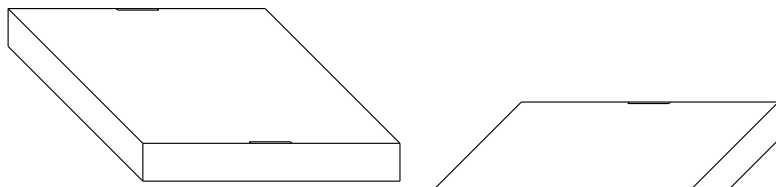
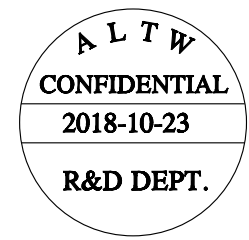
TITLE M8 F CONN F PIN SMT TYPE W/KEY			
SCALE Free	SIZE A4	SHEET 3 OF 4	
REV. A	WC-REV. A.1	Inspection item	

Amphenol LTW
 安費諾亮泰企業股份有限公司

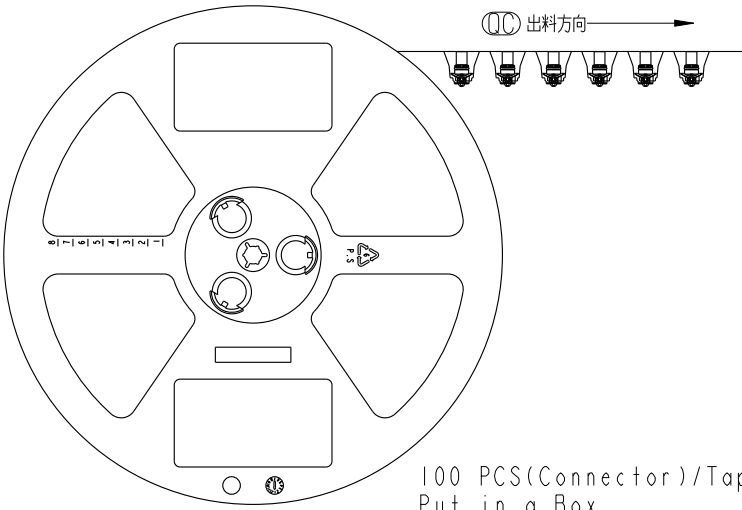
ITEM NO	DRAWN BY Mafei	DATE 2018-10-23
DWG NO M8AS-XXPFFT-EE8XXX	CHECKED BY Jerry	DATE 2018-10-23
CUSTOMER ALTW	APPROVED BY Max	DATE 2018-10-23

THIS DOCUMENT IS SUBJECT TO CHANGE WITHOUT NOTICE. IT IS CONFIDENTIAL AND A PROPERTY OF Amphenol LTW. DISCLOSURE TO THIRD PARTY HAS TO BE AUTHORIZED BY Amphenol LTW.

Package:

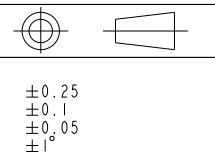


One Carton can put in the 5PCS(Max.) Box
(500 PCS/Carton)



100 PCS(Connector)/Tape&Reel,
Put in a Box

UNIT: mm		
TOLERANCE	.X ±0.25	
.XX ±0.1		
.XXX ±0.05		
ANGLES	±1°	



TITLE M8 F CONN F PIN SMT TYPE W/KEY			
SCALE Free	SIZE A4	SHEET 4 OF 4	
REV. A	WC-REV. A.1	☉: Inspection item	

Amphenol LTW
安費諾亮泰企業股份有限公司

ITEM NO	DWG NO M8AS-XXPFFT-EE8XXX
CUSTOMER ALTW	

DRAWN BY Mafei	CHECKED BY Jerry
APPROVED BY Max	

DATE 2018-10-23	DATE 2018-10-23
DATE 2018-10-23	