

AS85049/69 Shrink Boot Adapters



Shrink Boot
Adapters

Glenair Connector
Designator H

MIL-DTL-38999
Series III & IV,
EN3645

M85049/69-11 A D

Basic Part No. _____

Shell Size _____

Drain Hole Option (Omit for none)

Finish
A = Anodize Black

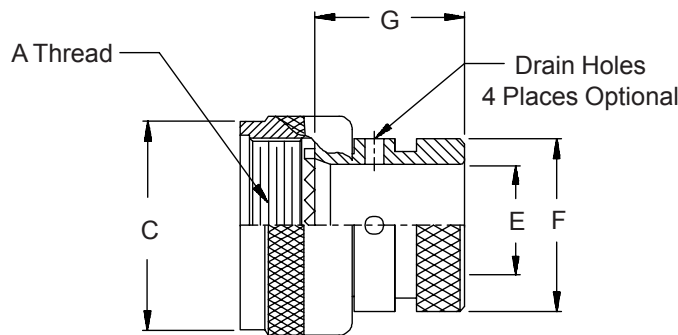


TABLE I

Shell Size	A Thread Class 2B	C Dia Max	E Dia Min	F Dia Max	G Max	Shrink Boot Reference
9	M12 X 1 - 6H	.600 (15.24)	.250 (6.4)	.533 (13.5)	.710 (18.0)	770-003S102
11	M15 X 1 - 6H	.717 (18.21)	.375 (9.5)	.605 (15.4)	.710 (18.0)	770-003S103
13	M18 X 1 - 6H	.834 (21.18)	.500 (12.7)	.774 (19.7)	.710 (18.0)	770-003S103
15	M22 X 1 - 6H	.990 (25.14)	.625 (15.9)	.838 (21.3)	.710 (18.0)	770-003S103
17	M25 X 1 - 6H	1.107 (28.12)	.750 (19.1)	.963 (24.5)	.710 (18.0)	770-003S104
19	M28 X 1 - 6H	1.224 (31.09)	.812 (20.6)	1.042 (26.5)	.710 (18.0)	770-003S104
21	M31 X 1 - 6H	1.341 (34.06)	.938 (23.8)	1.217 (30.9)	.710 (18.0)	770-003S106
23	M34 X 1 - 6H	1.453 (36.90)	1.062 (27.0)	1.355 (34.4)	.710 (18.0)	770-003S107
25	M37 X 1 - 6H	1.567 (39.80)	1.188 (30.2)	1.443 (36.7)	.710 (18.0)	770-003S107

1. For complete dimensions see applicable Military Specification.
2. Metric dimensions (mm) are indicated in parentheses.