

M83513 ORDERING INFORMATION PRINTED CIRCUIT BOARD TERMINATION:

M83513/XX - X XX X X

Specification Sheet

- 22 = plug (pin), BS type, sizes 9-37
- 23 = plug (pin), BS type, size 51
- 24 = plug (pin), BS type, size 100
- 25 = receptacle (socket), BS type, sizes 9-37
- 26 = receptacle (socket), BS type, size 51
- 27 = receptacle (socket), BS type, size 100

Hardware

- N = no jackpost or threaded insert
- P = jackpost
- T = threaded insert
- W = jackpost and threaded insert

Shell Finish

- C = cadmium
- N = electroless nickel
- P = passivated stainless steel

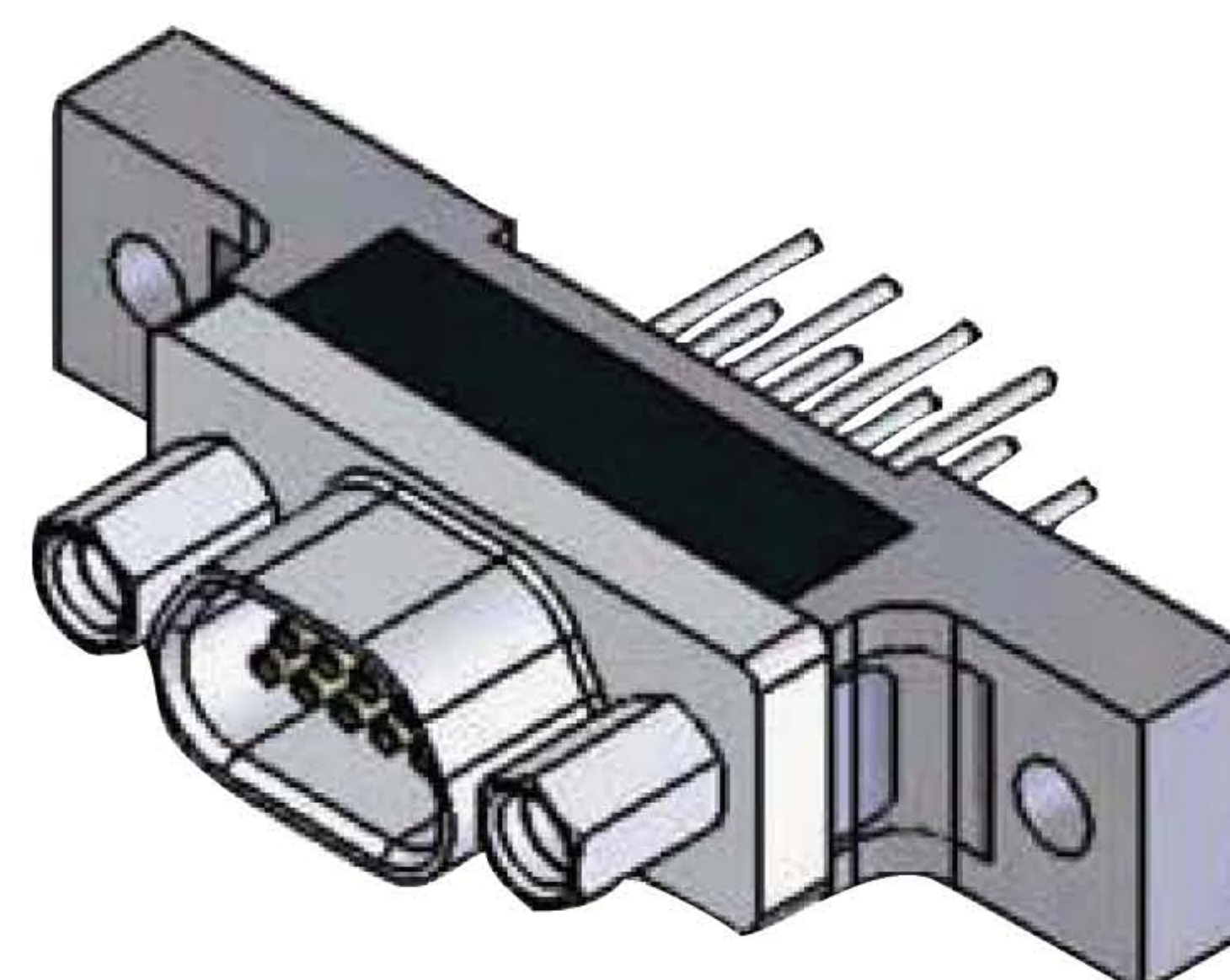
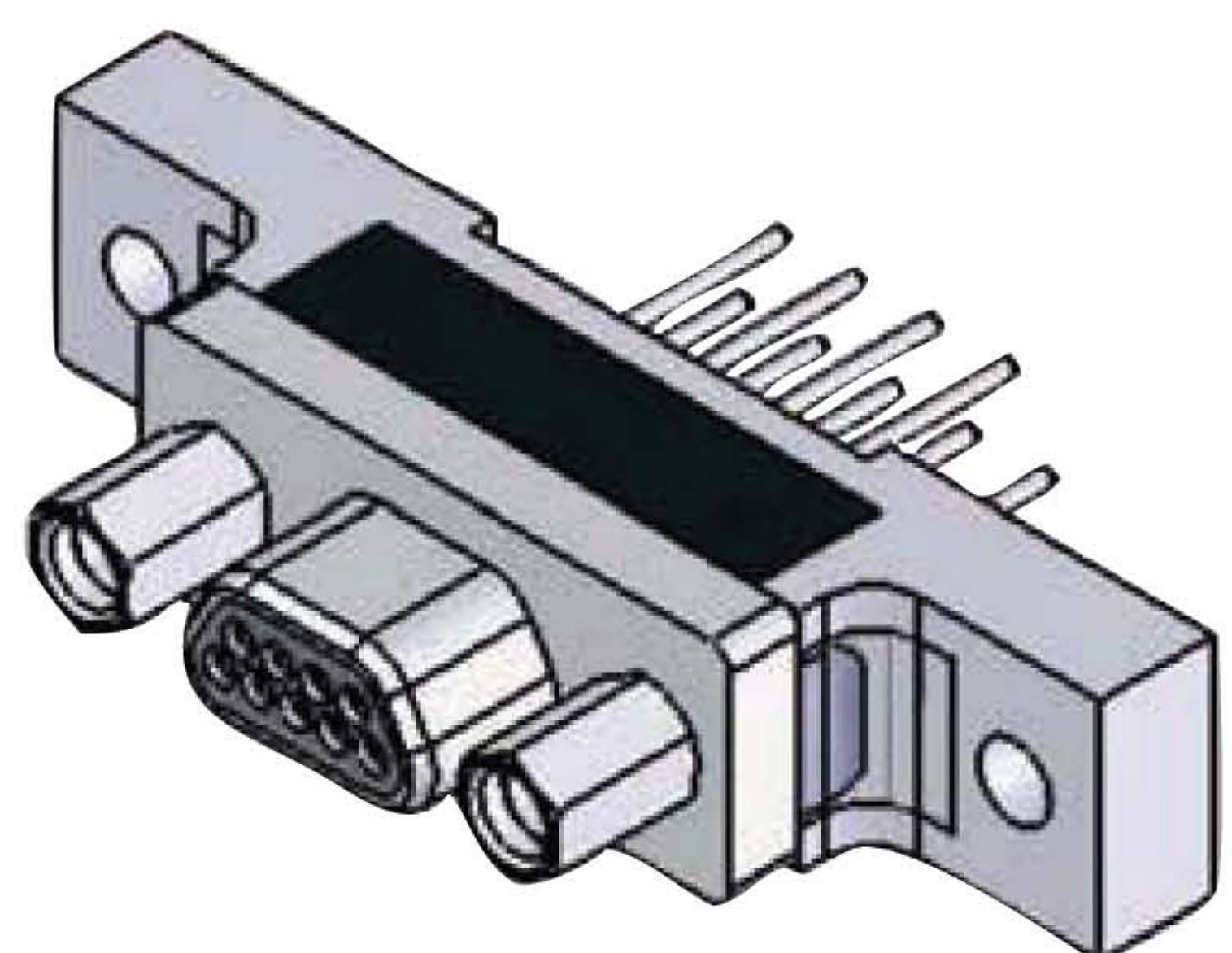
Lead Length (inches)

- 01 = .109 ± .015
- 02 = .140 ± .015
- 03 = .172 ± .015

Insert Arrangement

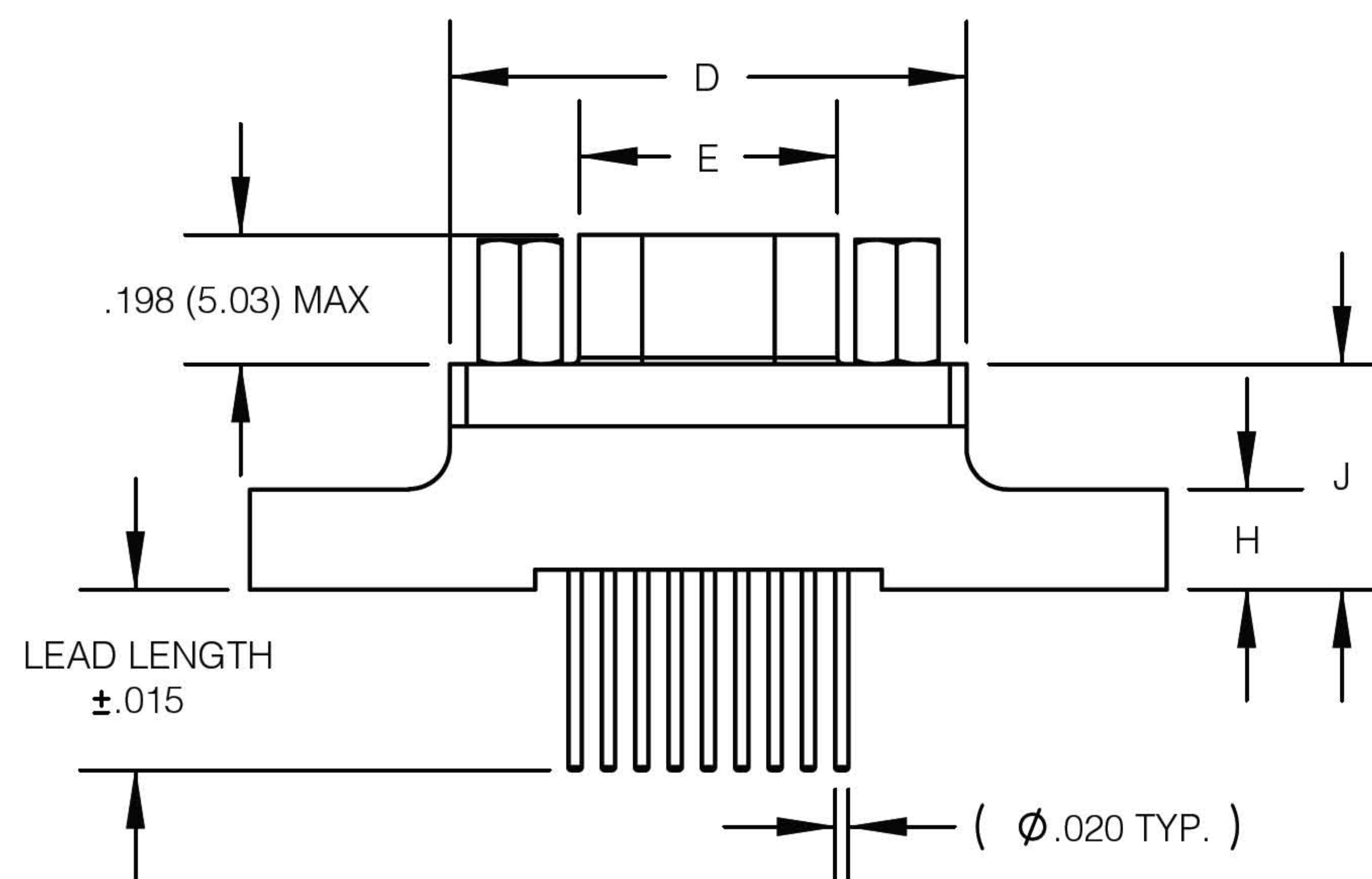
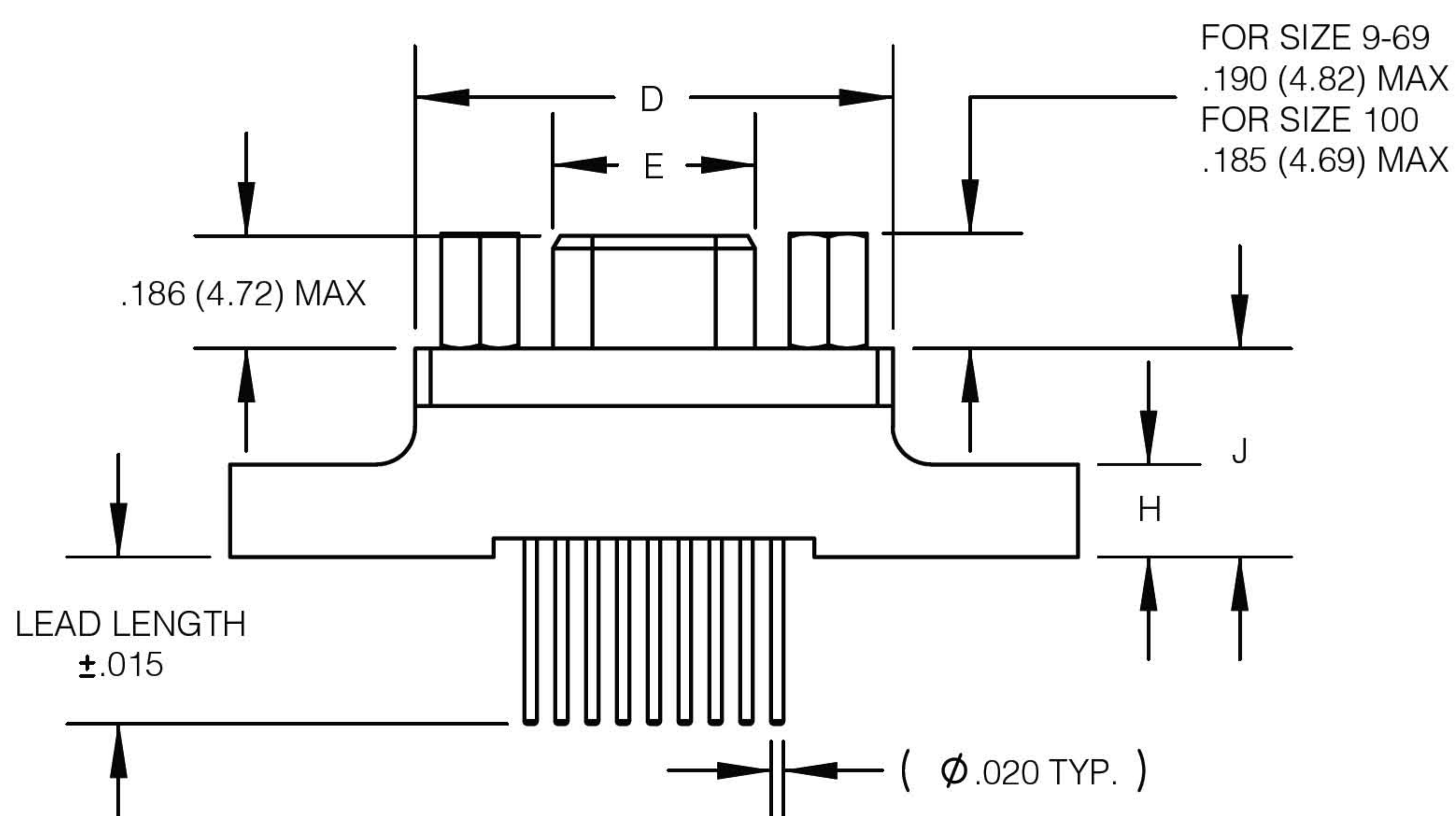
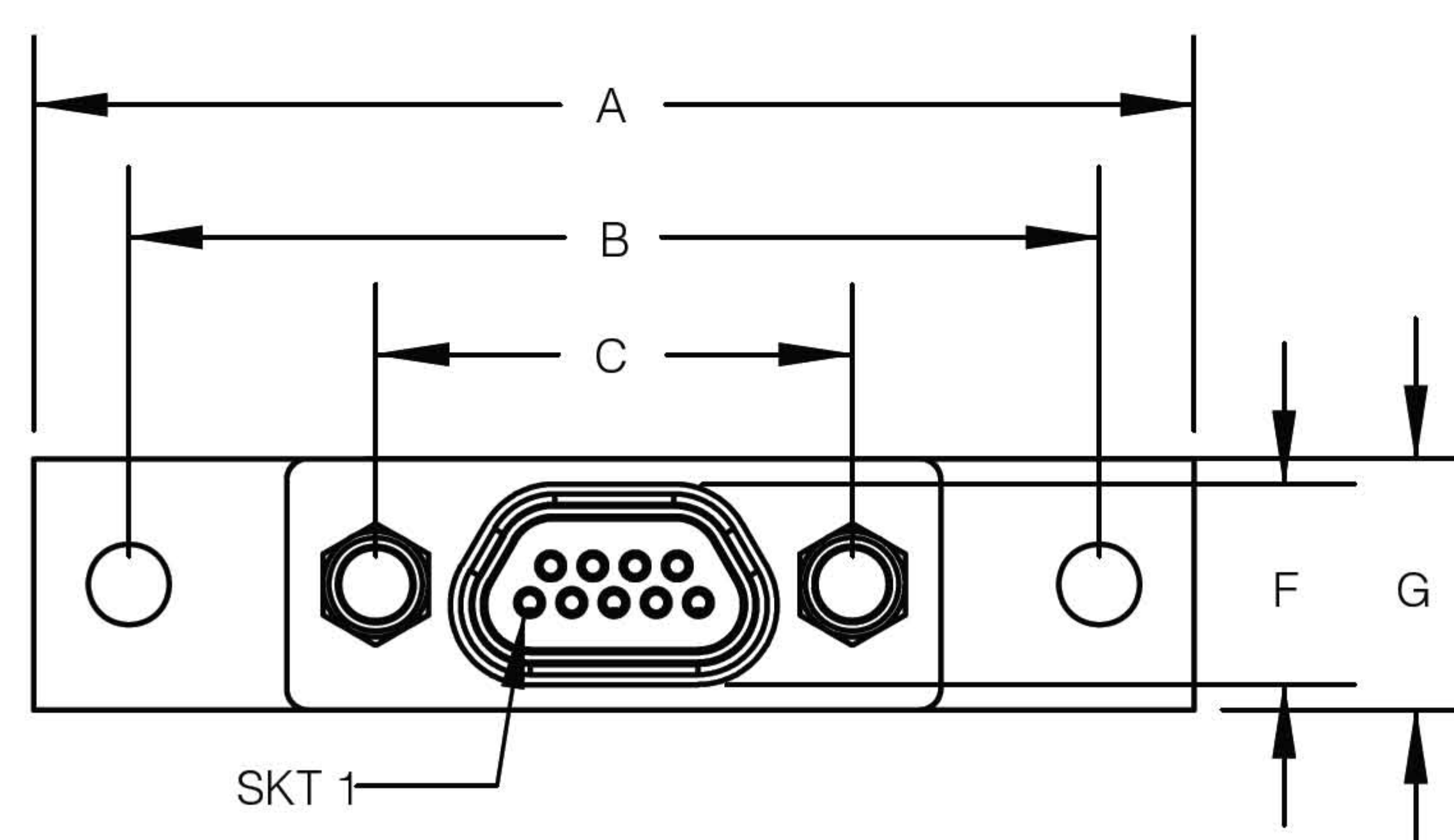
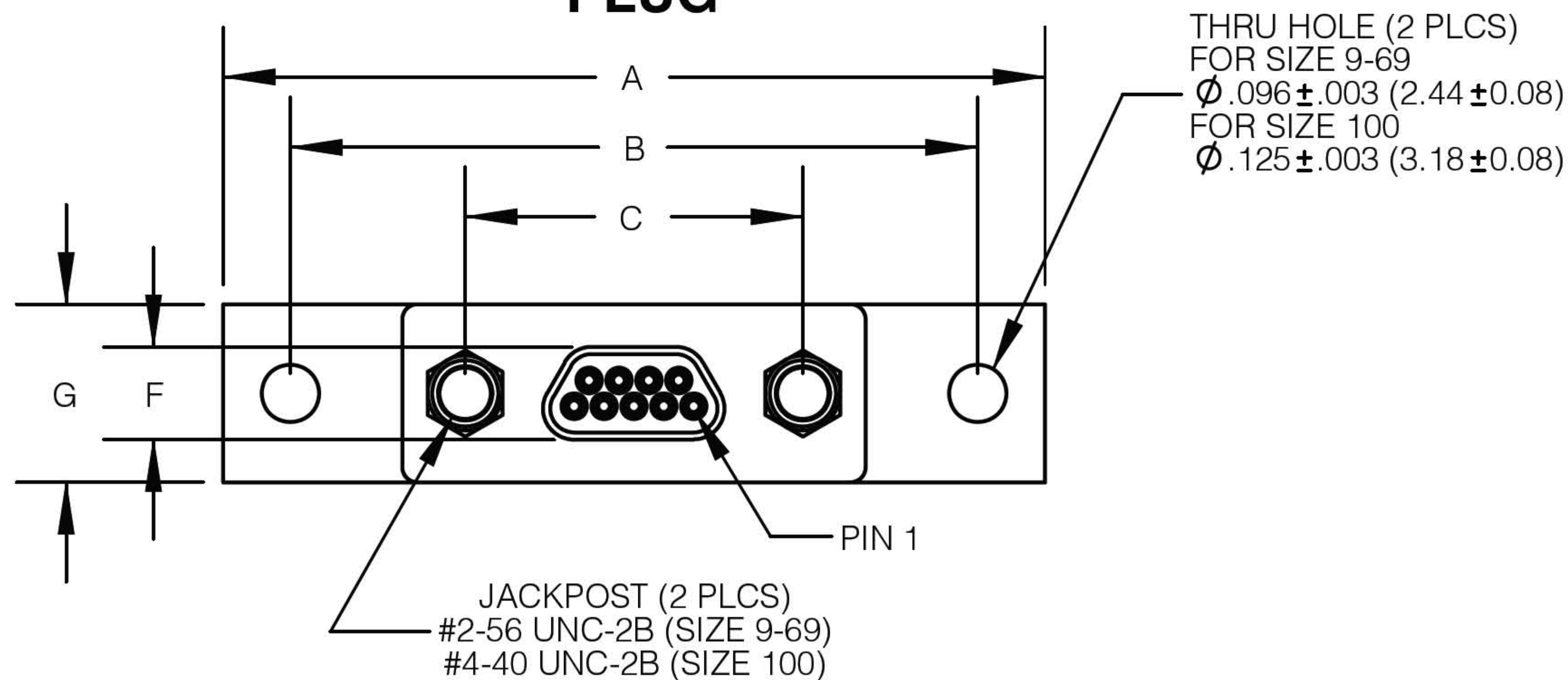
- A = 9
- B = 15
- C = 21
- D = 25
- E = 31
- F = 37
- G = 51 (applicable for spec sheet 23, 26)
- H = 100 (applicable for spec sheet 24, 27)

INCHES (MM)



PLUG

RECEPTACLE



SIZE	A MAX	B $\pm .005$ (0.13)	C $\pm .005$ (0.13)	D MAX	E MAX		F MAX		G MAX	H MAX	J MAX
					PLUG	RCPT	PLUG	RCPT			
09	1.390 (35.31)	1.150 (29.21)	.565 (14.35)	.785 (19.84)	.334 (8.48)	.402 (10.21)	.185 (4.70)	.253 (6.43)	.308 (7.82)	.165 (4.19)	.355 (9.02)
15	1.390 (35.31)	1.150 (29.21)	.715 (18.16)	.935 (23.75)	.484 (12.29)	.552 (13.97)	.185 (4.70)	.253 (6.43)	.308 (7.82)	.165 (4.19)	.355 (9.02)
21	1.690 (43.93)	1.450 (36.83)	.865 (21.97)	1.085 (27.56)	.634 (16.10)	.702 (17.83)	.185 (4.70)	.253 (6.43)	.308 (7.82)	.165 (4.19)	.355 (9.02)
25	1.740 (44.20)	1.500 (38.10)	.965 (24.51)	1.185 (30.10)	.734 (18.64)	.802 (20.37)	.185 (4.70)	.253 (6.43)	.308 (7.82)	.165 (4.19)	.355 (9.02)
31	2.040 (51.82)	1.800 (45.72)	1.115 (28.32)	1.335 (33.91)	.884 (22.45)	.952 (24.18)	.185 (4.70)	.253 (6.43)	.308 (7.82)	.165 (4.19)	.355 (9.02)
37	2.340 (59.44)	2.100 (53.34)	1.265 (32.13)	1.485 (37.72)	1.034 (26.26)	1.102 (27.99)	.185 (4.70)	.253 (6.43)	.308 (7.82)	.165 (4.19)	.355 (9.02)
51	2.270 (67.66)	2.000 (50.80)	1.215 (30.86)	1.435 (36.45)	.984 (24.99)	1.052 (26.72)	.228 (5.79)	.296 (7.52)	.351 (8.92)	.165 (4.19)	.355 (9.02)
69	2.870 (72.90)	2.600 (66.04)	1.515 (38.48)	1.735 (44.07)	1.289 (32.74)	1.357 (34.47)	.228 (5.79)	.296 (7.52)	.351 (8.92)	.165 (4.19)	.355 (9.02)
100	3.070 (77.98)	2.800 (71.12)	1.800 (45.72)	2.170 (55.12)	1.384 (35.13)	1.508 (38.10)	.271 (6.88)	.394 (10.01)	.460 (11.68)	.303 (7.70)	.550 (12.70)

INCHES (MM)



STRAIGHT PC CONFIGURATIONS (REAR VIEW)

.100 (2.54) x .100 (2.54) grid pattern, offset .050 (1.27)

Cavity identification numbers are for reference only and does not appear on the connector.

