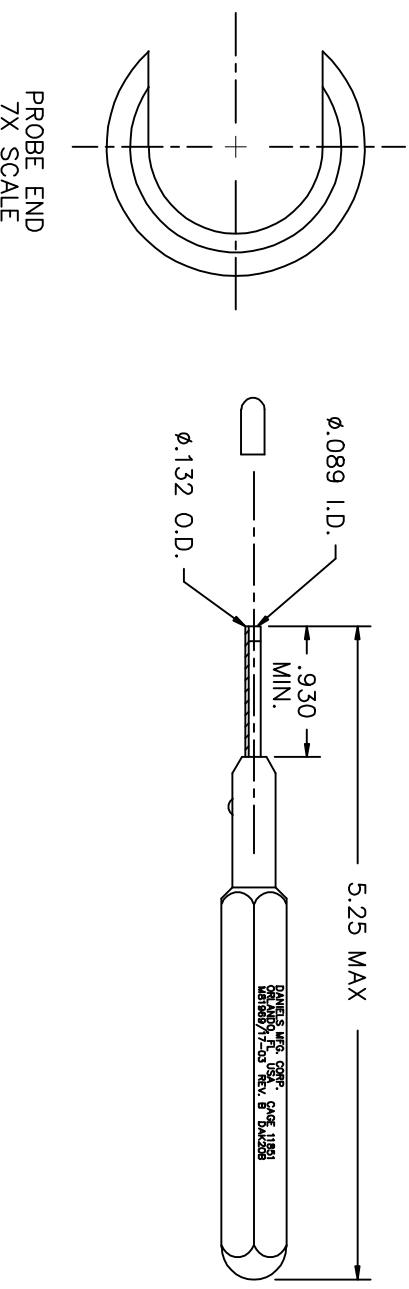


REVISIONS				
REV. STYL.	ECO. NUMBER	DESCRIPTION	BY DATE	APP'D DATE
1		ORIGINAL RELEASE	DV 3/27/95	RRR 3/28
2	21481	ADDED FRONT VIEW	KDH 10/30/09	RRR 10/30/09



RESTRICTED & CONFIDENTIAL		MATERIAL		ITEM		PART NO.		QTY.		DESCRIPTION/REMARKS	
CONFIDENTIAL PROPERTY OF DANIELS MANUFACTURING CORP. NOT TO BE DISCLOSED TO OTHERS, REPRODUCED OR TRANSMITTED IN ANY FORM OR BY ANY MEANS, ELECTRONIC OR MECHANICAL, INCLUDING PHOTOCOPYING, RECORDING, OR BY ANY INFORMATION STORAGE AND RETRIEVAL SYSTEM, WITHOUT THE WRITTEN PERMISSION OF DANIELS MANUFACTURING CORP. ON COMPLETION OF ORDER OR OTHER PURPOSE FOR WHICH SENT.		HEAT TREAT		DRW. DVC		DATE 3/27/95				DANIELS MFG. CORP. CAGE 11851	
		FINISH		CHK'D. DE		DATE 5/95				ORLANDO, FLORIDA	
DO NOT SCALE DRAWING				APP'D.		DATE				CAGE 11851	
				APP'D.		DATE				INSTALLING TOOL #20	
				NOTE: THIS DRAWING IS AN OUTLINE DRAWING OF THE RESPECTIVE INDICATED PART NUMBER. THE PART NUMBER IS DRAWING NUMBER WITHOUT THE "-ENV" SUFFIX.						ENVELOPE DRAWING (M81969/17-03 REV. B)	
				WHERE USED:		SIZE SCALE		CAD P/N		SHEET OF	
				DAK20B-ENV		B NTS		DAK20B-ENV		1 1	
				DAK20B-ENV				DWG. NO.		REV.	
								DAK20B-ENV		2	

UNCONTROLLED DOCUMENT
WILL NOT BE UPDATED