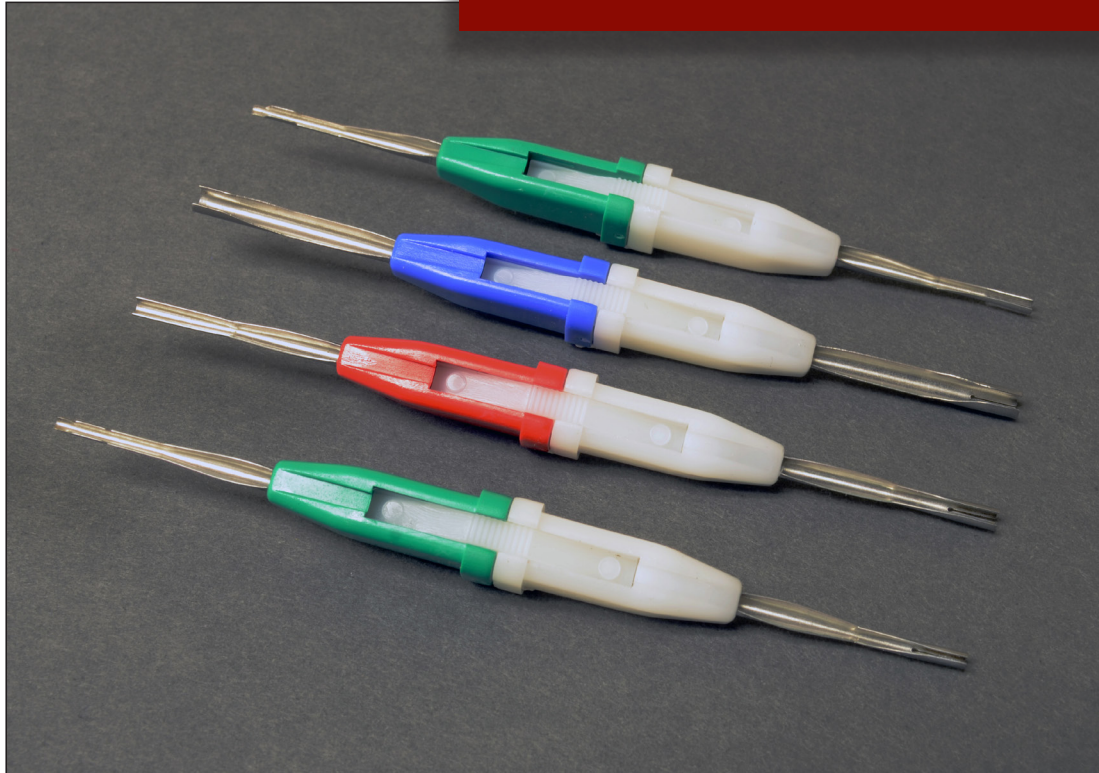


# M81969/1

## INSTALLING AND REMOVAL TOOLS



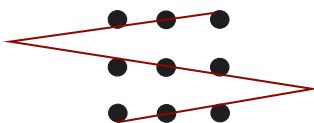
### QPL APPROVED - 04344113.AA/11- 26-13

Part Number	Contact Size	Color Code	
		Installing Tip	Removal Tip
M81969/1- 01	22	GREEN	WHITE
M81969/1- 02	20	RED	WHITE
M81969/1- 03	16	BLUE	WHITE
M81969/1- 04	22D	GREEN	WHITE

Tools are used to install and remove contacts from MIL-DTL-24308, sizes 22D and 20 and AS81659 connectors, series 2 AS81969/1 supersedes MIL-I-81969/1 which superseded MS3156 (Navy) and MIL-C-24308/18

Step'n Components designs, manufactures and markets highly engineered products and systems principally for the aerospace and defense connector markets. Step'n Components has a long established role as a top supplier. We are known for design excellence and commitment to quality and reliability. Our products are used on thousands of aerospace, military, rail and high- end industrial applications worldwide in the most severe environments.

The M81969/1 is a plastic double-ended insertion & removal tool with metal tips designed for rear release connectors.

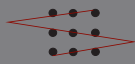


### **Step'n Components**

17832 Gothard Street | Huntington Beach, CA 92647 | Phone: 714-362-3713  
Fax: 714-362-3714 | Email: sales@stepnco.com | www.stepnco.com

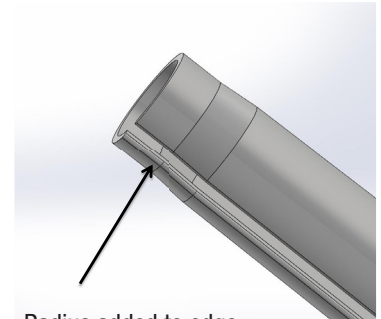


Made In The USA



# M81969/14

## INSTALLING AND REMOVAL TOOLS



Radius added to edge to prevent wires from being cut

### QPL APPROVED - 04344113.AA/11- 26- 13

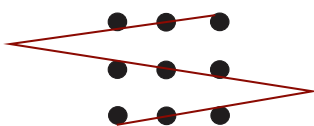
Part Number	Contact Size	Color Code	
		Installing Tip	Removal Tip
M81969/14-01 /1	22D, 22N	GREEN	WHITE
M81969/14-03 /1	16	BLUE	WHITE
M81969/14-04 /1	12	YELLOW	WHITE
M81969/14-06 /2	8	N/A	RED
M81969/14-07 /2	4	N/A	BLUE
M81969/14-08 /2	0	N/A	YELLOW
M81969/14-10 /1	20	RED	ORANGE
M81969/14-11 /2	20	RED	WHITE
M81969/14-12 /1	8	N/A	GREEN

**/1** MIL-DTL-55302/68, /69, MIL-DTL-38999, MIL-DTL-24308 (SIZE 22D), MIL-DTL-83733 (SIZE 22D), AS81714 (SIZE 22D)

**/2** MIL-DTL-26482 SERIES II, AS81703 SERIES III, MIL-DTL-83733 (EXCEPT 22D), MIL-DTL-83723 SERIES II & III, AS50151, AS81714 (EXCEPT 22D)

Step'n Components designs, manufactures and markets highly engineered products and systems principally for the aerospace and defense connector markets. Step'n Components has a long established role as a top supplier. We are known for design excellence and commitment to quality and reliability. Our products are used on thousands of aerospace, military, rail and high-end industrial applications worldwide in the most severe environments.

The M81969/14 is an all plastic insertion & removal tool designed for rear release connectors.



### **Step'n Components**

17832 Gothard Street | Huntington Beach, CA 92647 | Phone: 714-362-3713  
Fax: 714-362-3714 | Email: sales@stepnco.com | www.stepnco.com

