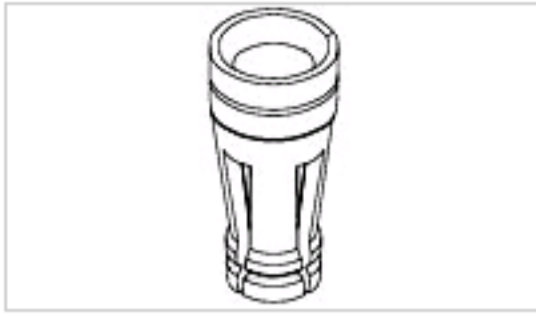


M8134-HC-6P2 Product Details

[Share](#) | [Print](#) | [Email](#)


Active

[View 3D PDF](#)

Discrete Sockets

M8134-HC-6P2=HOLTITE GOLD 3.2.

M8134-HC-6P2 (M83505/6-002)

TE Internal Number: 8-1437514-1

Product Highlights [View All](#)

- HOLTITE Product Line
- Board-to-Device
- Applies To Printed Circuit Board
- Contact - Rated Current = 5 A
- Socket Length = 3.45 mm

- [Pricing & Availability](#)
- [Request Sample](#)
- [Add to My Part List](#)
- [Buy Product through Distributor](#)

Feedback

[Documents](#) | [Features](#) | [Compliance](#)

Please Note:
Use the Product Drawing for all design activity

Product Type Features	
Product Line	HOLTITE
Sealant	Without
Profile	Zero
Electrical Characteristics	
Contact - Rated Current (A)	5
Termination Features	
Insertion Method	Hand/Semi-Automatic
Dimensions	
Socket Length (mm [in])	3.45 [0.136]
Recommended Hole Size (mm [in])	1.47 [0.058]
Body Features	
Mating Pin Dia. Range (mm [in])	0.51 - 0.76 [0.020 - 0.030]
Contact Features	
Contact Plating, Mating Area, Material	Gold
Contact Plating, Mating Area, Thickness (µm [µin])	0.00076 [0.03]
Contact Type	Socket
Contact Base Material	Beryllium Copper

Industry Standards	
Government/Industry Qualification	Yes
Government/Industry Part Number	M83505/6-002
RoHS/ELV Compliance	RoHS compliant, ELV compliant
Lead Free Solder Processes	Not relevant for lead free process
RoHS/ELV Compliance History	Always was RoHS compliant
Conditions for Usage	
Applies To	Printed Circuit Board
Operation/Application	
Application Use	Board-to-Device
Contact Transmits (Typical Application)	Signal (Data)/Power
Packaging Features	
Packaging Method	Loose Piece
Other	
Brand	AMP

Related Products

Not quite the product you're looking for?
[Find Similar Products](#)

[View Part in Product Feature Selector](#)

[Check for Tooling](#)

- Corporate Information**
- [About TE](#)
 - [Investors](#)
 - [News Room](#)
 - [Supplier Portal](#)
 - [Careers](#)
 - [Terms & Conditions](#)
 - [Privacy Policy](#)
 - [Global Accessibility Statement](#)

- Quick Links**
- [Distributor Inventory](#)
 - [Product Cross Reference](#)
 - [Documents & Drawings](#)
 - [Product Compliance Support Center](#)
 - [Site Map](#)

- Customer Support**
- [Email or Chat With Us](#)
 - [Find a Phone Number](#)
 - [Knowledge Base](#)
 - [Manage Your Account](#)

Keep Me Informed