

Customer Information Sheet

DRAWING No.: M80-843XXXX

IF IN DOUBT - ASK

©

NOT TO SCALE

THIRD ANGLE PROJECTION

ALL DIMENSIONS IN mm

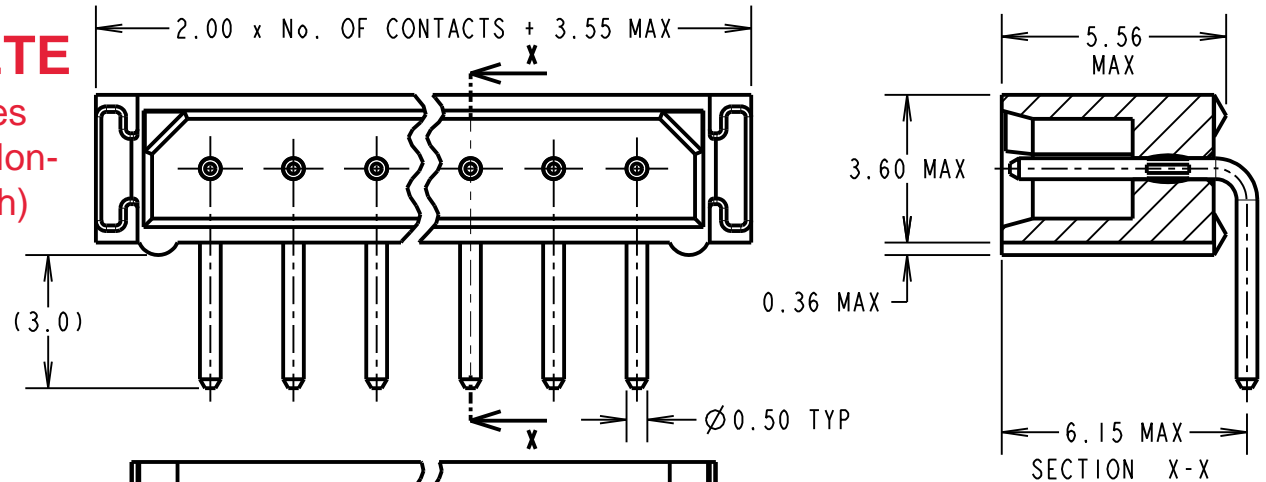
ORDER CODE:

M80-843XXXX

TOTAL No. OF WAYS
02-07, ~~17, 22~~

FINISH
~~22 - SELECTIVE GOLD + TIN/LEAD~~
45 - GOLD
42 - SELECTIVE GOLD / 100% TIN

OBSOLETE
Order codes ending 01 (Non-RoHS finish)



NOTES:

- 2-OFF STRAIN RELIEF STRAP M80-0030006 ARE INCLUDED WITH EACH CONNECTOR.

SPECIFICATIONS:

MATERIAL:
MOULDING = GLASS-FILLED PPS UL94V-0, BLACK
CONTACTS = PHOSPHOR BRONZE

FINISH:
CONTACTS (ALL OVER NICKEL):
~~22 = 0.75µm GOLD ON CONTACT AREA,
3µm 90/10 TIN/LEAD ON TAILS~~

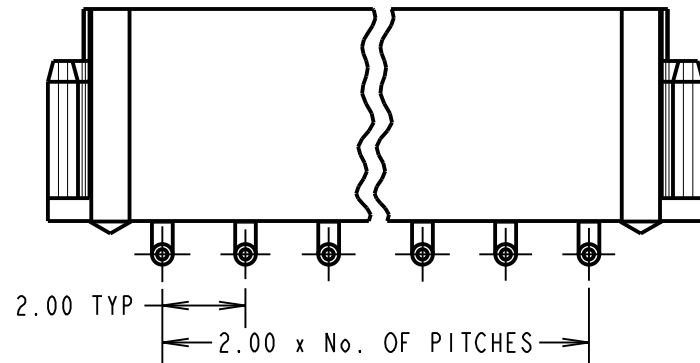
45 = 0.75µm GOLD
42 = 0.75µm GOLD ON CONTACT AREA, 3.0µm 100% TIN ON TAILS

ELECTRICAL:
CURRENT RATING AT 25°C = 3.0A MAX
CURRENT RATING AT 85°C = 2.2A MAX
WORKING VOLTAGE = 800V AC/DC
VOLTAGE PROOF = 1200V AC/DC
CONTACT RESISTANCE (INITIAL) = 20 mΩ MAX
CONTACT RESISTANCE (AFTER CONDITIONING) = 25 mΩ MAX
INSULATION RESISTANCE (INITIAL) = 1,000 MΩ MIN
INSULATION RESISTANCE (AFTER CONDITIONING) = 100 MΩ MIN

MECHANICAL:
DURABILITY = 500 OPERATIONS

ENVIRONMENTAL:
TEMPERATURE RANGE = -55°C TO +125°C

PACKING:
TUBE
FOR COMPLETE SPECIFICATION, SEE COMPONENT SPECIFICATION C005XX (LATEST ISSUE)



RECOMMENDED PCB LAYOUT
TOLERANCE ±0.05mm

OBSOLETE
Pin counts 17 and 22
Last Time Buy 21-Aug-2020

MGP	7	20.01.21	22137
NAME	ISS.	DATE	CN/CO
APPROVED:		MGP	
CHECKED:		RA	
DRAWN:		I. SANDY	
CUSTOMER REF.:			
ASSEMBLY DRG:			

HARWIN

www.harwin.com
technical@harwin.com

THIS DRAWING AND ANY INFORMATION OR DESCRIPTIVE MATTER SET OUT HEREON ARE CONFIDENTIAL AND COPYRIGHT PROPERTY OF THE HARWIN GROUP AND MUST NOT BE DISCLOSED, LOANED, COPIED OR USED FOR MANUFACTURING, TENDERING OR FOR ANY OTHER PURPOSE WITHOUT THEIR WRITTEN PERMISSION.

TOLERANCES
X. = ±1mm
X.X = ±0.50mm
X.XX = ±0.20mm
X.XXX = ±0.01mm
ANGLES = ±5°
UNLESS STATED

MATERIAL:
SEE ABOVE
FINISH:
S/AREA: mm²

TITLE: DATAMATE 2mm PITCH
HORIZONTAL PC TAIL SIL PLUG
ASSEMBLY - UNLATCHED (RoHS)

DRAWING NUMBER:
M80-843XXXX

SHT
2
OF
2