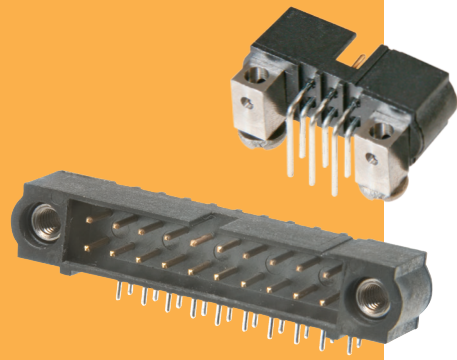


Datamate J-Tek Connectors

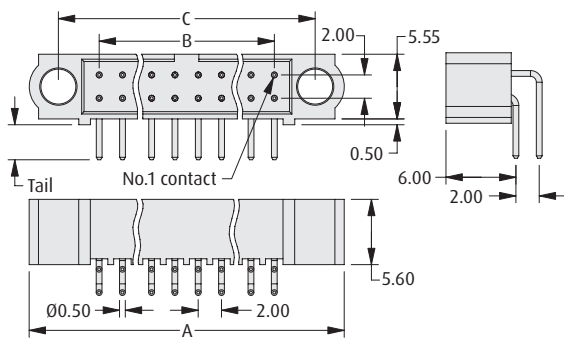
DATAMATE J-TEK

Male Horizontal PC Tail

- Polarised mouldings.
- Fully shrouded contacts.
- Jackscrews are assembled where specified.
- Choice of PC tail length.
- Board Mount provides PCB strain relief.
- Mates with female Datamate J-Tek connectors with compatible jackscrews.

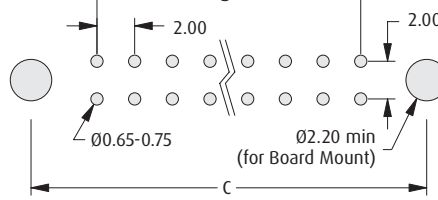


WITHOUT JACKSCREWS



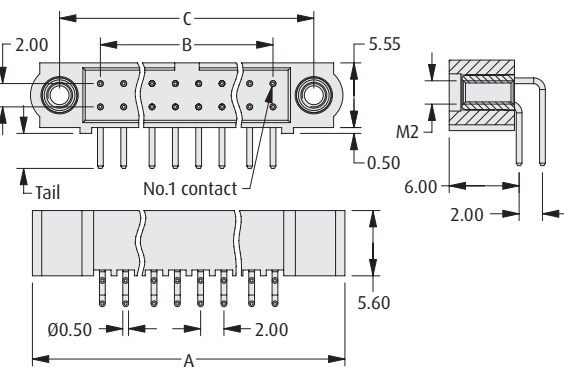
CALCULATION

A	$B + 12$
B	Total no. of contacts - 2
C	$B + 7$

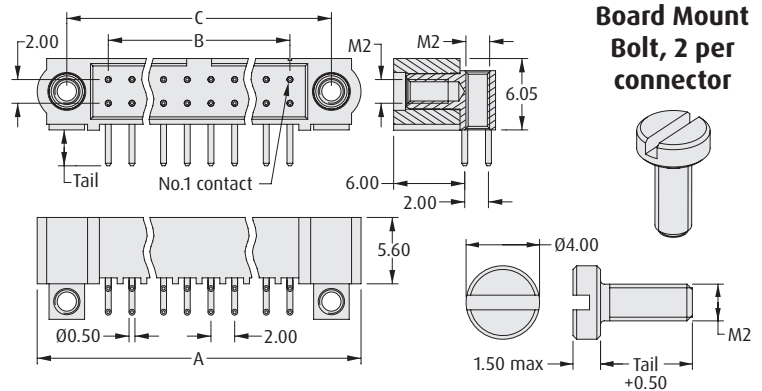


Recommended PC Board Pattern

WITH JACKSCREWS



WITH BOARD MOUNT



HOW TO ORDER

M80 - 5 X X XX XX

SERIES CODE

3	With Jackscrews
4	With Board Mount
5	Without Jackscrews

0	3mm Tails
1	4.5mm Tails

FINISH

05	Gold
42	Gold + Tin

TOTAL NO. OF CONTACTS

04, 06, 08, 10, 12, 14, 20, 26, 34, 42, 50

All dimensions in mm.