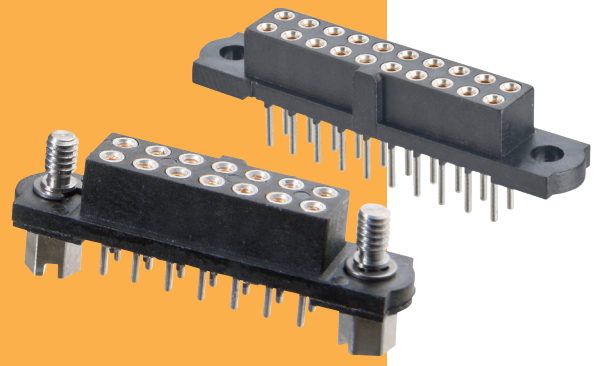


Datamate J-Tek Connectors

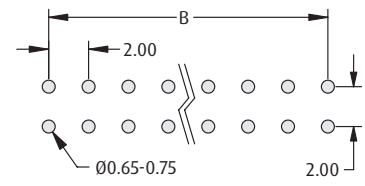
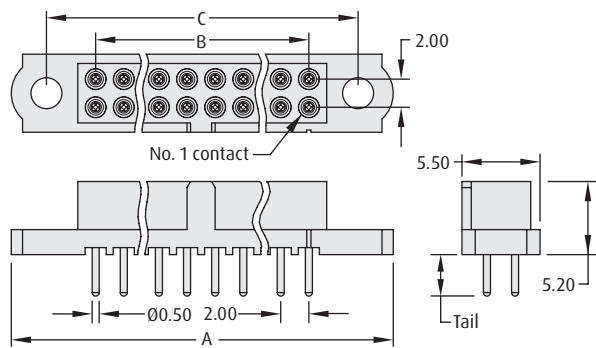
Female Vertical PC Tail

- ❖ Fully shrouded contacts.
- ❖ Polarised mouldings.
- ❖ Mates with all Datamate J-Tek male connectors with compatible jackscrews.



DATAMATE J-TEK

WITHOUT JACKSCREWS

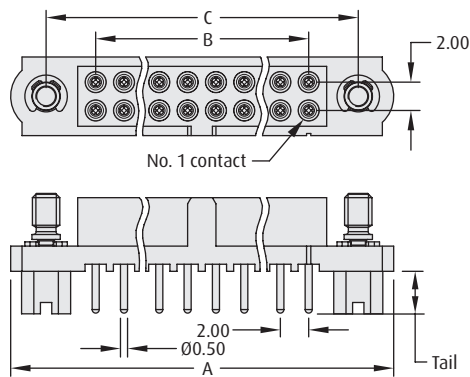


Recommended PC Board Pattern

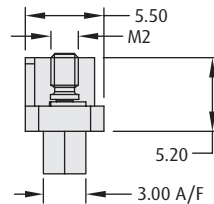
CALCULATION

A	B + 12
B	Total no. of contacts - 2
C	B + 7

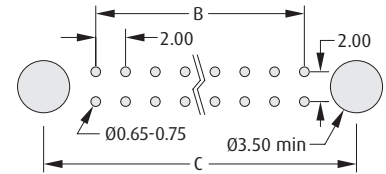
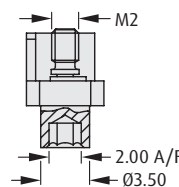
WITH JACKSCREWS



Hex Slotted Jackscrew



Hex Socket Jackscrew



Recommended PC Board Pattern

HOW TO ORDER

M80 - 4 X X XX XX

SERIES CODE

0	With Hex Slotted Jackscrews
1	Without Jackscrews
2	With Hex Socket Jackscrews

0	3mm Tails
1	4.5mm Tails

FINISH

05	Gold
42	Gold + Tin

TOTAL NO. OF CONTACTS

04, 06, 08, 10, 12, 14, 20, 26, 34, 42, 50

All dimensions in mm.