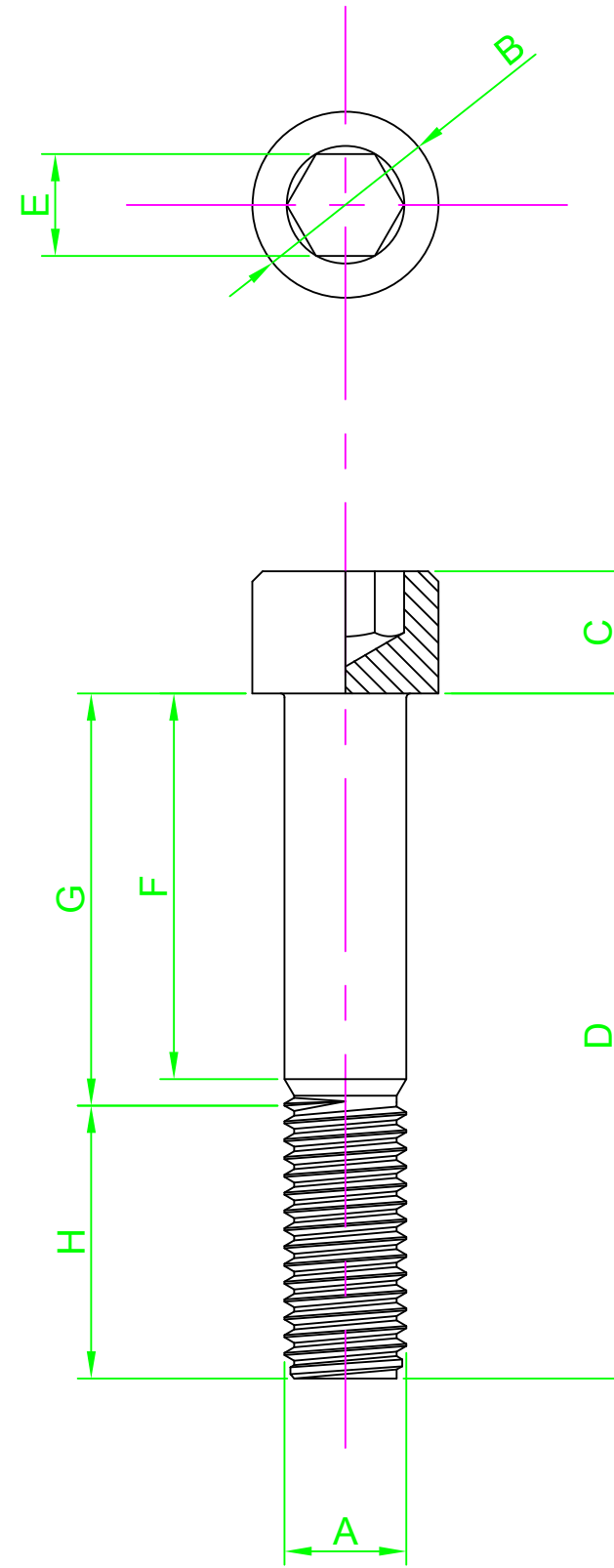
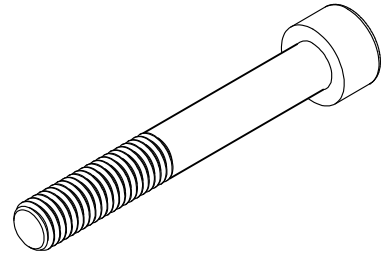


DO NOT SCALE DRAWING



REVISION

A INITIAL DRAWING 25.01.16

Part Number	ØA	B Max	C Max	D Length	E Nom	F Min	G Max	H Ref
M3 6 SOA2CS S50	M3-0.5	5.68	3.0	6.0	2.5	N/A	1.50	N/A
M3 8 SOA2CS S50				8.0				
M3 12 SOA2CS S50				12.0				
M3 16 SOA2CS S50				16.0				
M3 20 SOA2CS S50	M4-0.7	7.22	4.0	16.0	3.0	N/A	2.10	N/A
M3 25 SOA2CS S50				25.0				
M3 30 SOA2CS S50				30.0				
M4 6 SOA2CS S50				6.0				
M4 8 SOA2CS S50	M5-0.8	8.72	5.0	8.0	4.0	N/A	2.10	N/A
M4 10 SOA2CS S50				10.0				
M4 12 SOA2CS S50				12.0				
M4 16 SOA2CS S50				16.0				
M4 20 SOA2CS S50	M6-1.0	10.22	6.0	20.0	5.0	6.00	11.0	24.0
M4 25 SOA2CS S50				25.0				
M4 30 SOA2CS S50				30.0				
M4 35 SOA2CS S50				35.0				
M4 40 SOA2CS S50	M6-1.0	10.22	6.0	40.0	5.0	11.00	16.0	24.0
M5 10 SOA2CS S50				10.0				
M5 12 SOA2CS S50				12.0				
M5 16 SOA2CS S50				16.0				
M5 20 SOA2CS S50	M6-1.0	10.22	6.0	20.0	5.0	16.00	21.0	24.0
M5 25 SOA2CS S50				25.0				
M5 30 SOA2CS S50				30.0				
M5 40 SOA2CS S50				40.0				
M5 50 SOA2CS S50	M6-1.0	10.22	6.0	50.0	5.0	21.00	26.0	24.0
M6 12 SOA2CS S50				12.0				
M6 16 SOA2CS S50				16.0				
M6 20 SOA2CS S50				20.0				
M6 25 SOA2CS S50	M6-1.0	10.22	6.0	25.0	5.0	31.00	36.0	24.0
M6 30 SOA2CS S50				30.0				
M6 35 SOA2CS S50				35.0				
M6 40 SOA2CS S50				40.0				
M6 45 SOA2CS S50	M6-1.0	10.22	6.0	45.0	5.0	31.00	36.0	24.0
M4 50 SOA2CS S50				50.0				
M4 60 SOA2CS S50	M6-1.0	10.22	6.0	60.0	5.0	31.00	36.0	24.0

NOTES:



DESIGN RIGHT. TR FASTENINGS LTD, 2003  
 UNDER NO CIRCUMSTANCES MUST THIS  
 DRAWING BE COPIED OR DISCLOSED  
 WITHOUT FIRST OBTAINING WRITTEN  
 AUTHORITY.

UNLESS OTHERWISE SPECIFIED:  
 DIMENSIONS ARE IN MM (MILLIMETERS).  
 SURFACE FINISH:  
 TOLERANCES: DIN 912

	NAME	DATE
DRAWN	Darryl Wilson	25.01.16
CHK'D		
APPVD		

MATERIAL:  
 Stainless Steel A2

HEAT TREATMENT:  
 N/A

FINISH:  
 Self Finish

TITLE:  
 Hex Socket Head Cap Screw DIN 912

DRAWING NUMBER:  
 TR32SOA2CSS50

A4

