

# Archer .8

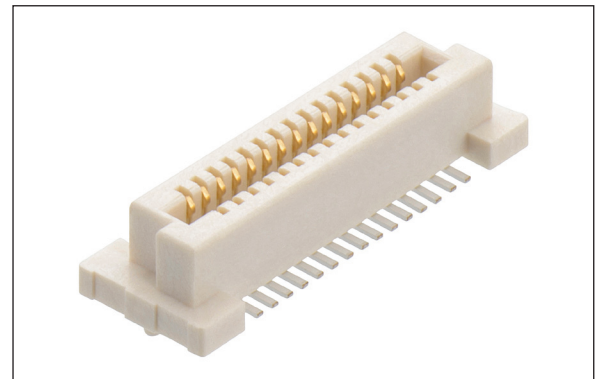
## 0.8mm Pitch Board-to-Board Connectors

Miniature PCB connectors for industrial and embedded computing

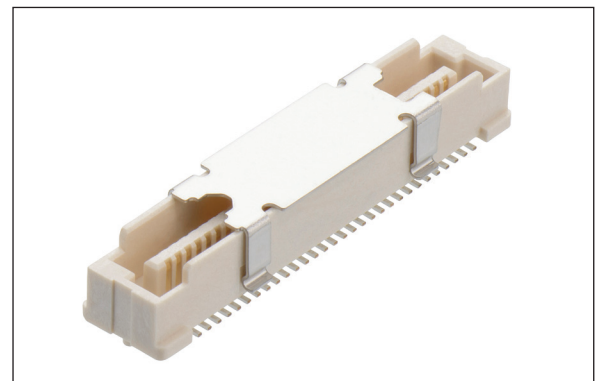
With Archer .8, you can achieve a compact, capable, industrial-grade connection with a high pin count. Designed for mezzanine daughterboard to motherboard layouts.

Capable of 0.5A per contact at just 0.8mm pitch, with a total number of contacts up to 120. Fully shrouded designs with polarized end features ensure confidence in mating and connection protection.

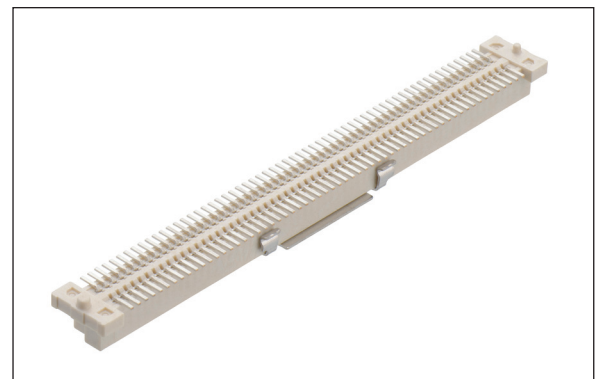
Supplied ready for high volume automation with pick and place caps in Tape & Reel packaging. Stocked and ready for your production needs. Quality assured by Harwin.



30 contact (15+15) female connector



60 contact (30+30) male connector with pick and place cap assembled



Underside of 120 contact (60+60) female connector

Features and Benefits	
Compact 0.8mm pitch	Minimal board real estate used
Up to 120 contacts	High level of connections in one device
Polarized and shrouded	Eliminate mis-mating and accidental damage to contacts
Different size location pegs	Ensure correct orientation on the PCB and no movement during soldering
Surface mount terminations, tape and reel packaging	Ideal for high volume automated assembly
5mm mating height	Low-profile board-to-board connections, great for mezzanine to motherboard applications

Key Applications	
Industrial	Embedded computing, Control and Monitoring systems, Sensor modules, IOT connection equipment
Test and Measurement	Smart meters, Mobile monitoring devices, Laboratory measurement systems
E-Vehicles	Battery management units, intelligent control systems, Camera and Lidar units
Retail	Point-of-sale equipment, warehouse inventory systems, POS terminals
Consumer Electronics	Home appliances, Building automation
Fire and Security	Monitoring and detection equipment

## Product Features

Removable pick and place caps for automated PCB placement

Gull-wing SMT terminations for easy solder inspection

Polarized end features to eliminate incorrect mating

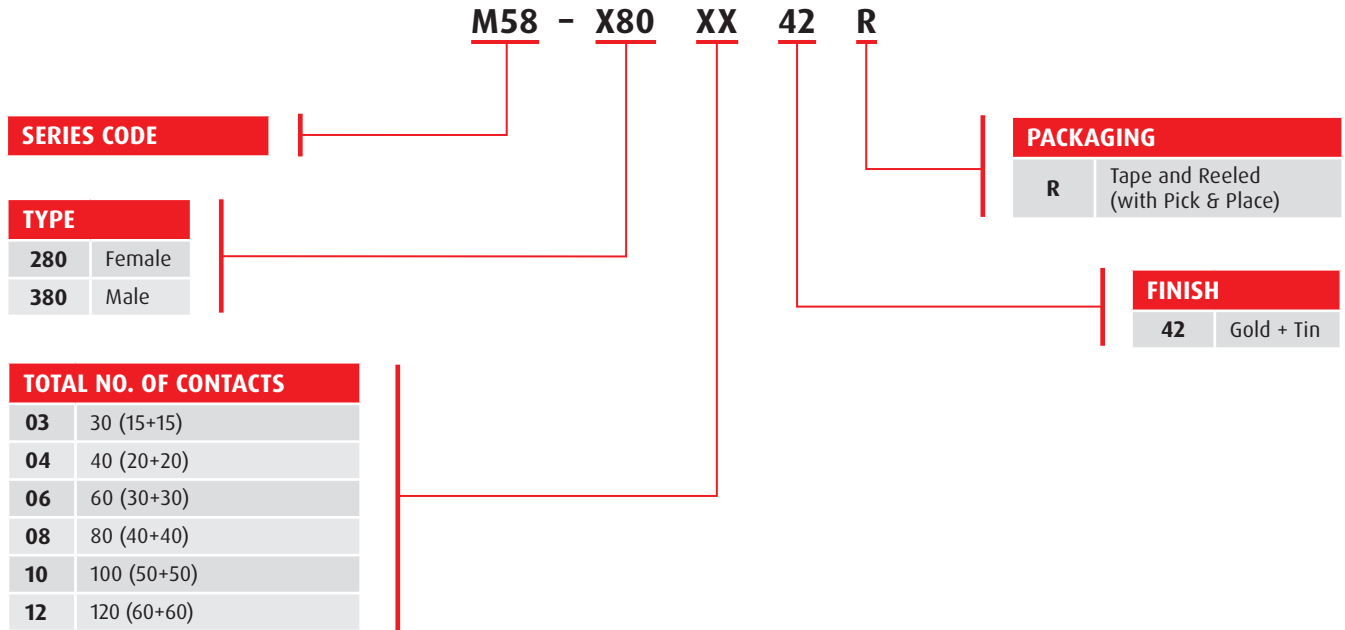
Halogen-free, RoHS compliant, REACH SVHC free materials for future-proofing

Different sized location pegs to assist with correct positioning and minimized movement during soldering

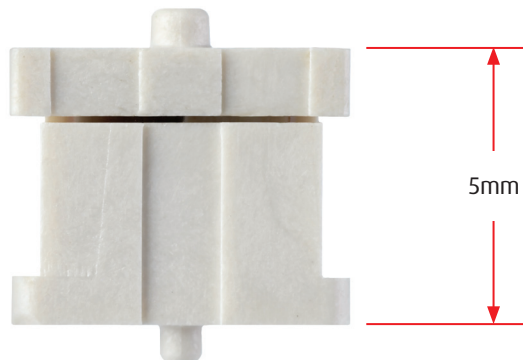
## Specifications

Electrical		Mechanical		Physical	
Current Rating	0.5A max per contact	No. of operations	30 cycles	Housing	Halogen-Free Thermoplastic UL94V-0
Voltage Rating	100V AC/DC	Vibration	10-55-10Hz, 1.5mm, 6 hours total	Contact Material	Phosphor Bronze
Maximum Voltage	500V AC/DC for 1 minute	Shock	50G, 18 shocks total	Contact Finish	Gold contact area, tin terminations
Insulation Resistance	1,000MΩ min	Temp Range	-40°C to +125°C	Packaging	Tape & Reel with Pick & Place

## How to Order



## Mating Height





**Harwin Europe (Global Headquarters)**

Portsmouth, Hampshire, UK

E: [mis@harwin.co.uk](mailto:mis@harwin.co.uk)

T: +44 (0)23 9231 4545

**Harwin Inc (Americas)**

New Albany, Indiana, USA

E: [mis@harwin.com](mailto:mis@harwin.com)

T: +1 603 893 5376

**Harwin Asia Pte Ltd (Asia, Australasia)**

Singapore

E: [mis@harwinasia.com](mailto:mis@harwinasia.com)

T: +65 6 779 4909