

# METTEC DESK CASES 120 MM HIGH

DESK CASES

Comfortable case size for electronics equipment with large front panel LCD modules, LED's, push buttons, membrane keyboards etc.

## ASSEMBLY

Case design assembled by eight M4 screws. The side extrusions are located by a recess in the rear of the bezel and fixed with screws. At the rear of version A/AH is an extruded rear panel. The rear panel (Version B/BH) is assembled with four additional screws. The base and top panels are captured by horizontal slots in the case.

All cases are supplied assembled and include four non-slip self-adhesive feet. Base panels are pre-punched for the case feet (separate article, accessory see page 17). An M4 earth stud is fitted to the base panels.

## VERSION A

With extruded rear panel.

## VERSION AH

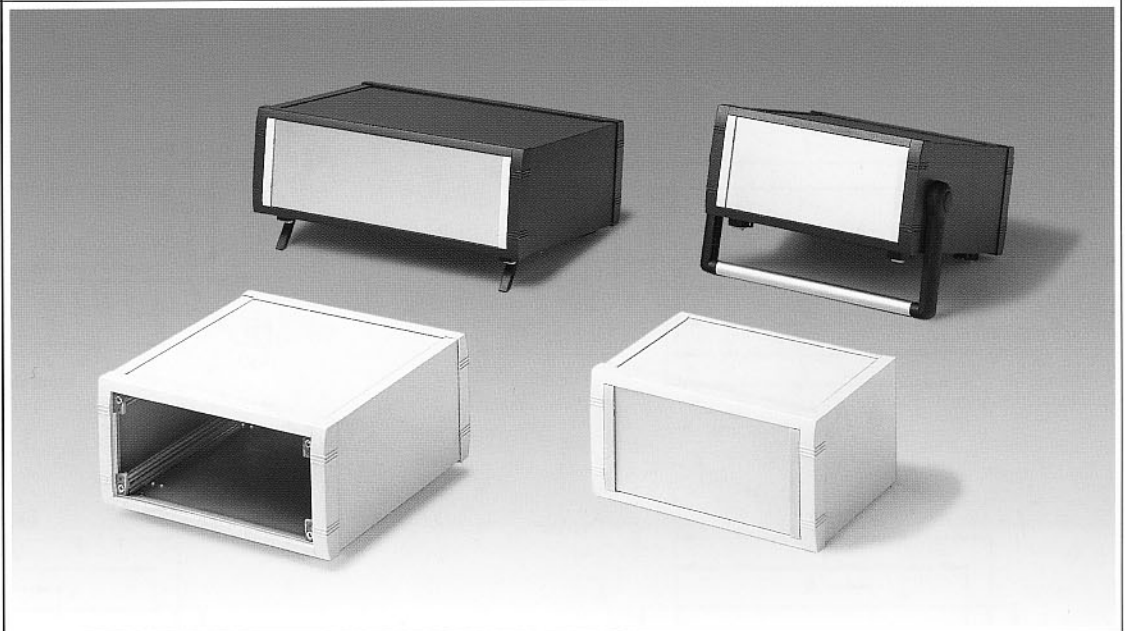
Version A with handle bar.

## VERSION B

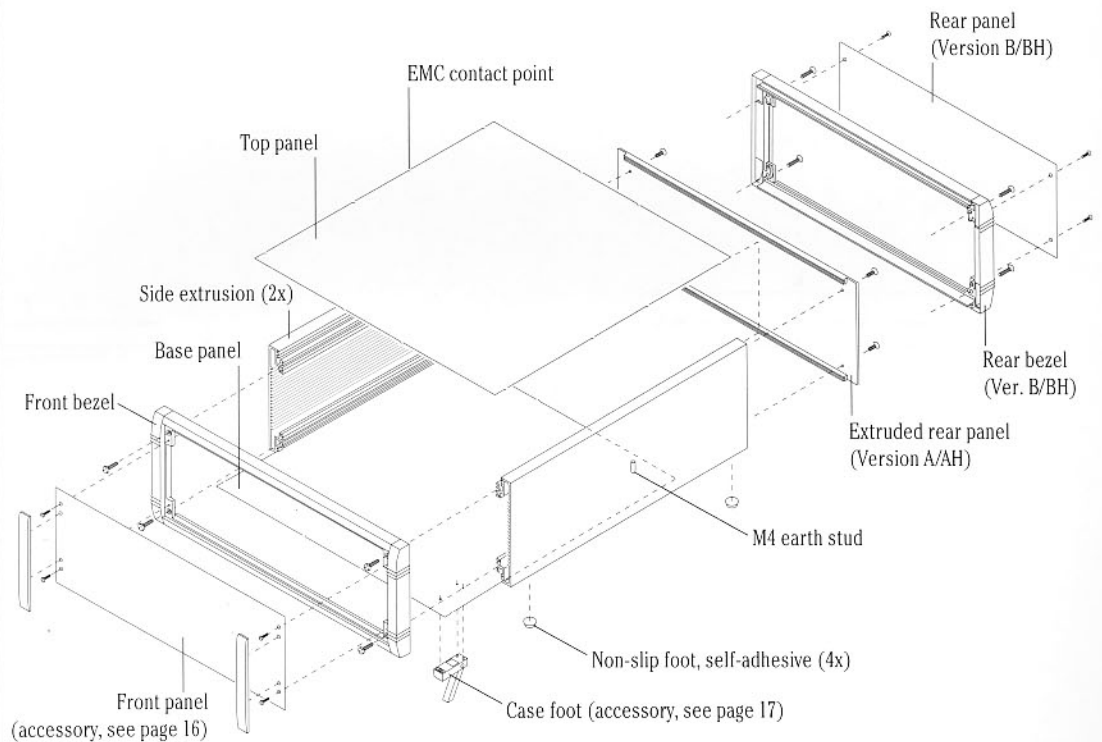
With rear bezel and rear panel.

## VERSION BH

Version B with handle bar.



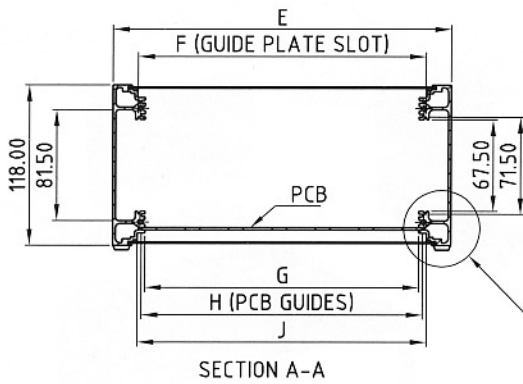
## SUPPLY



Part No.		METTEC 120 MM HIGH																			
anthracite	off-white	Version	Outside dimensions in mm			Inside dimensions in mm															
			Height	Width	Depth	a	b	c	d	e	f	g	h	j	k	l	r	s	t	u	v
M 57 23 204	M 57 23 207	A	120	230	180	200	195	188	174	228	191	181	186	200	228	188	160	163	172	134	152
M 57 23 214	M 57 23 217	B	120	230	193	200	195	188	174	228	191	181	186	200	-	188	153	163	181	134	-
M 57 25 204	M 57 25 207	A	120	250	250	220	215	208	194	248	211	201	206	220	248	208	230	233	242	204	222
M 57 25 224	M 57 25 227	AH	120	250	250	220	215	208	194	248	211	201	206	220	248	208	230	233	242	204	222
M 57 25 214	M 57 25 217	B	120	250	263	220	215	208	194	248	211	201	206	220	-	208	223	233	251	204	-
M 57 25 234	M 57 25 237	BH	120	250	263	220	215	208	194	248	211	201	206	220	-	208	223	233	251	204	-
M 57 35 204	M 57 35 207	A	120	350	250	320	315	308	294	348	311	301	306	320	348	308	230	233	242	204	222
M 57 35 214	M 57 35 217	B	120	350	263	320	315	308	294	348	311	301	306	320	-	308	223	233	251	204	-

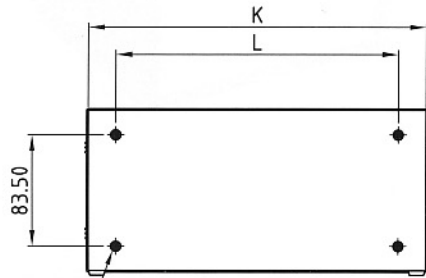
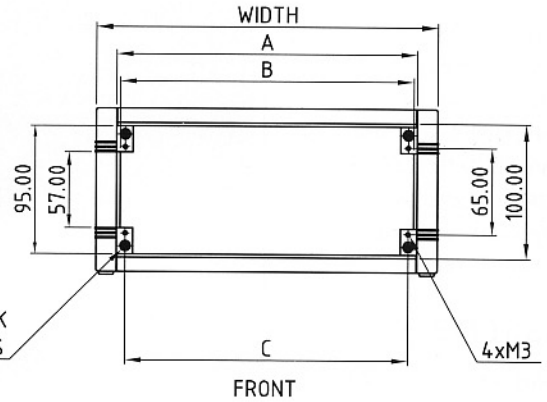
# 120MM METTEC CASES

Dimensional details

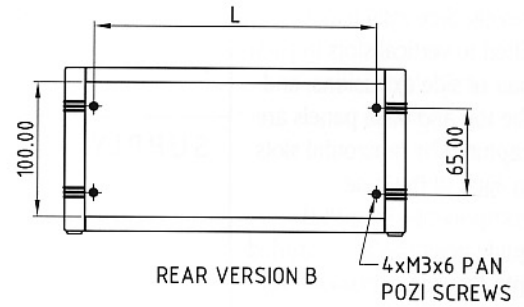


DETAIL 'B'

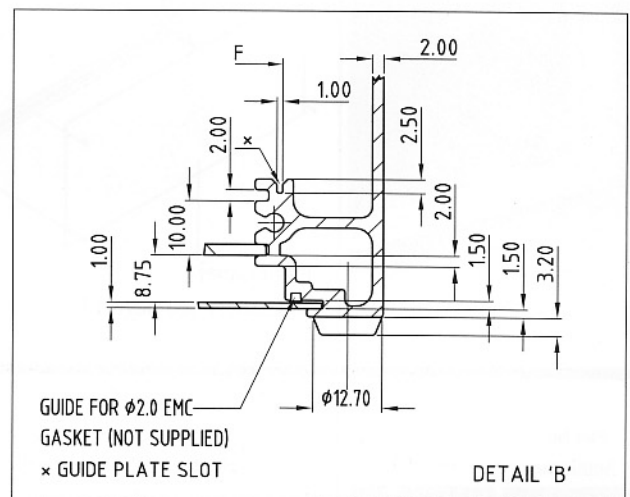
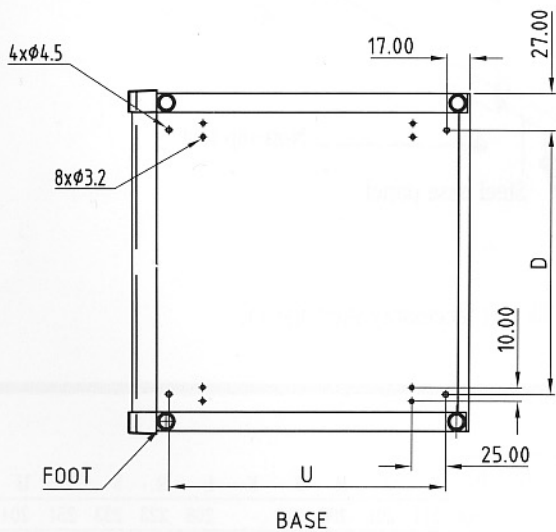
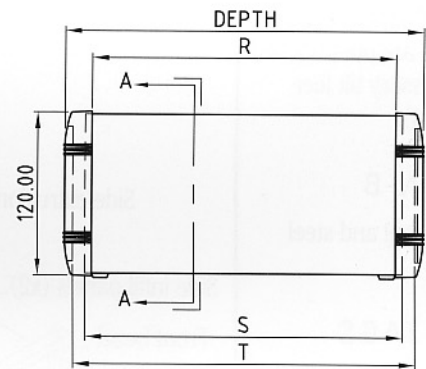
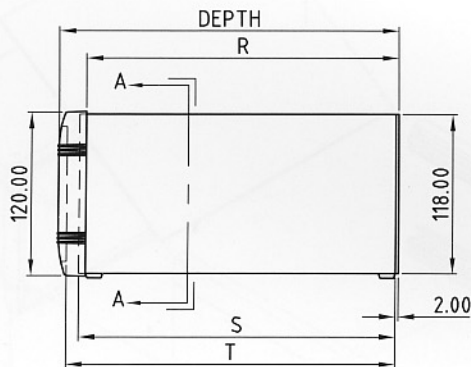
4xM4x14 CSK POZI SCREWS



4xM4x14 CSK POZI SCREWS



4xM3x6 PAN POZI SCREWS



GUIDE FOR  $\phi 2.0$  EMC GASKET (NOT SUPPLIED)  
 \* GUIDE PLATE SLOT