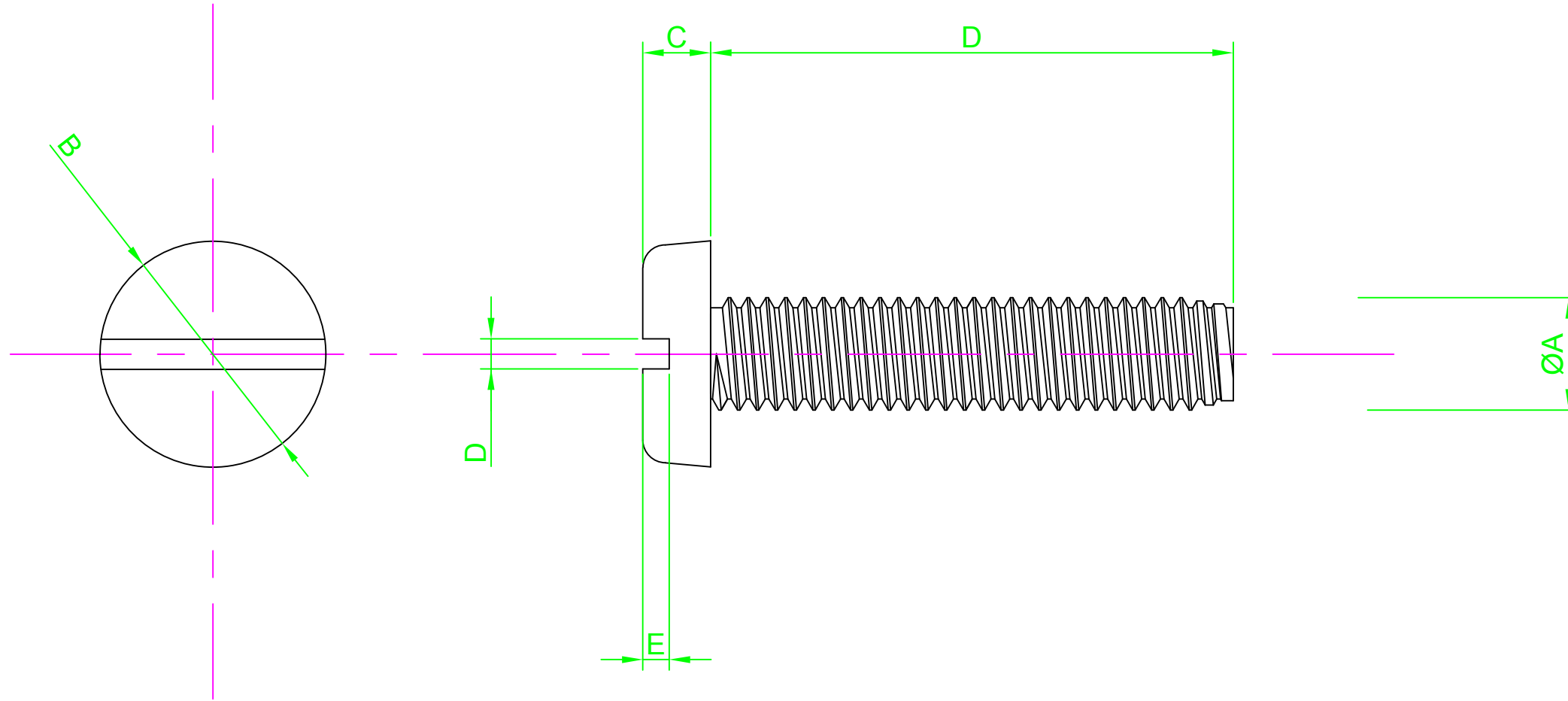


DO NOT SCALE DRAWING



REVISION

A INITIAL DRAWING 21.9.15

Part Number	ØA	B Nom	C Max	D Nom	E Min	F Length
M5 30 PSA2MC S50	M5-0.8	10.0	3.0	1.2	1.0	30.0
M5 50 PSA2MC S50						50.0
M6 60 PSA2MC S50	M6-1.0	12.0	3.6	1.6	1.2	60.0

NOTES:



UNLESS OTHERWISE SPECIFIED:
DIMENSIONS ARE IN MM (MILLIMETERS).
SURFACE FINISH:
TOLERANCES: DIN 85

MATERIAL:
Stainless Steel A2

TITLE:
Slotted Pan Head Machine Screw DIN 85

	NAME	DATE
DRAWN	Darryl Wilson	21.09.15
CHK'D		
APPVD		

HEAT TREATMENT:
N/A

DESIGN RIGHT. TR FASTENINGS LTD, 2003
UNDER NO CIRCUMSTANCES MUST THIS
DRAWING BE COPIED OR DISCLOSED
WITHOUT FIRST OBTAINING WRITTEN
AUTHORITY.

CUSTOMER PART NUMBER:
N/A

FINISH:
Self Finish

DRAWING NUMBER:
TR32PSA2MCS50

A4

PROJECTION

