

Customer Information Sheet

DRAWING No.: M50-361XX42

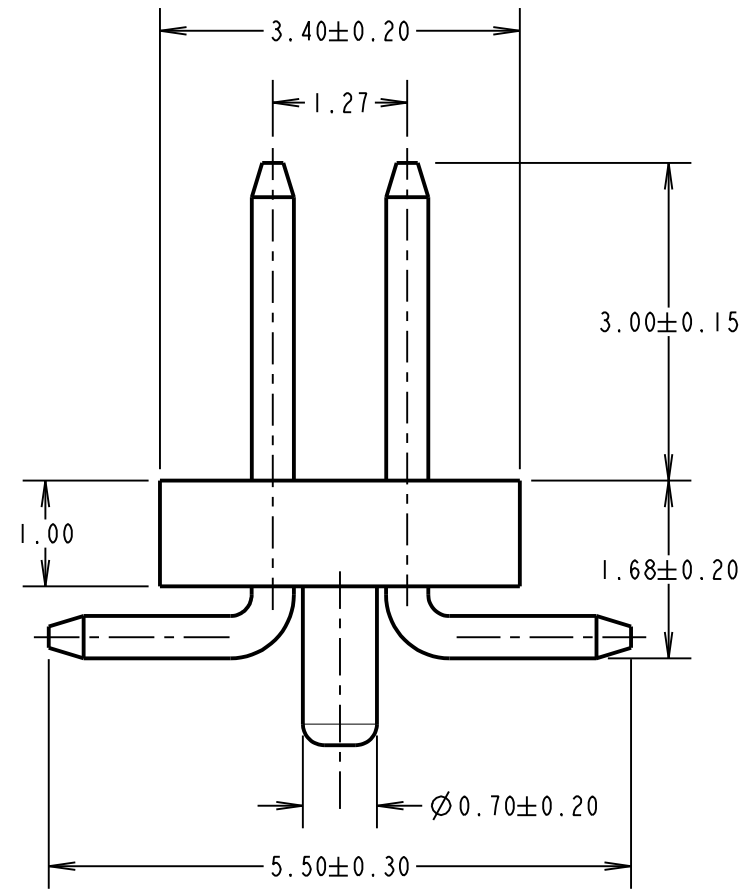
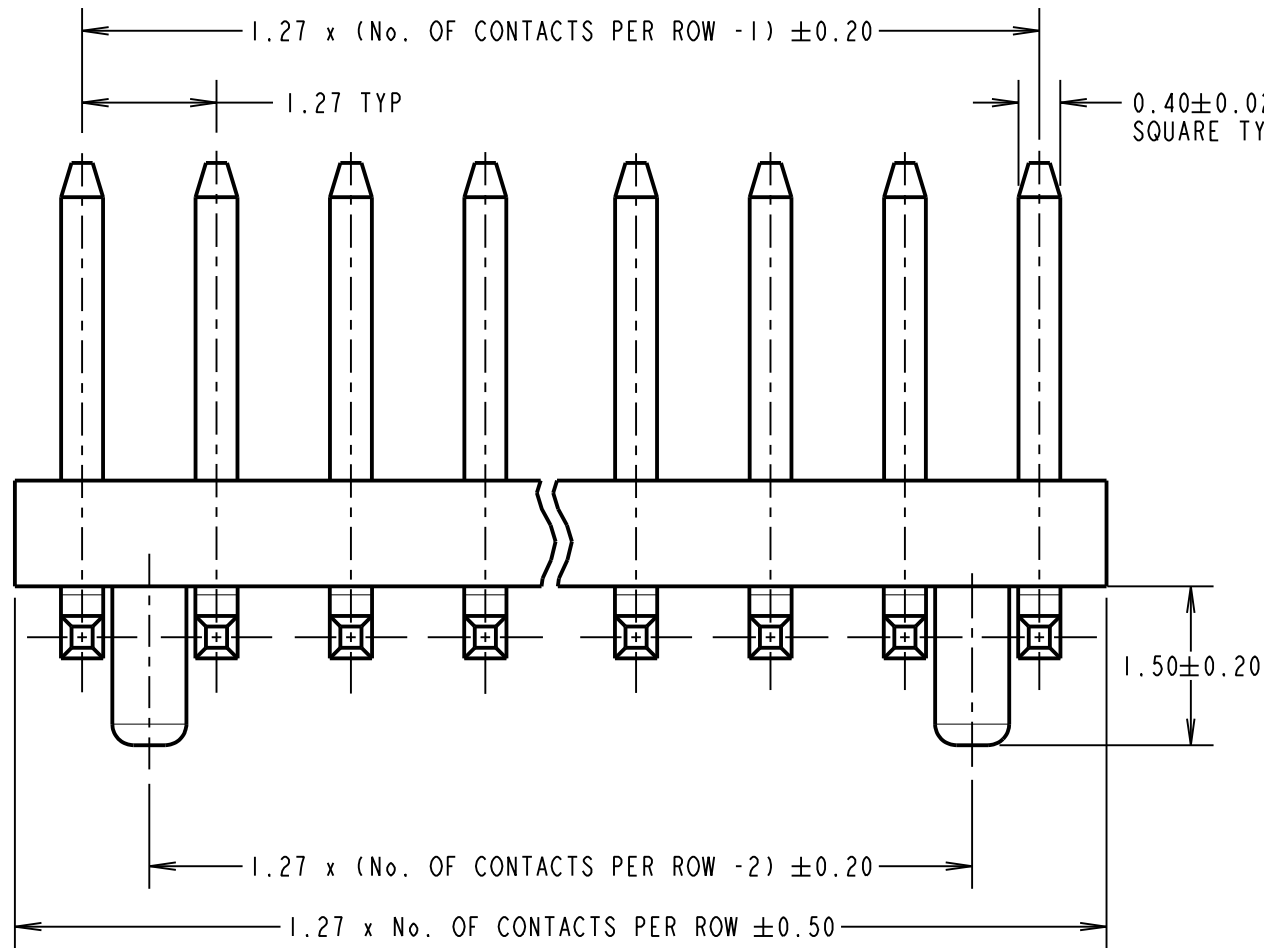
IF IN DOUBT - ASK

©

NOT TO SCALE

THIRD ANGLE PROJECTION

ALL DIMENSIONS IN mm



SPECIFICATIONS:

MATERIAL:
 MOULDING = HIGH TEMP THERMOPLASTIC,
 UL 94V-0, BLACK
CONTACTS = BRASS
FINISH:
 CONTACTS = 0.76 TO 2.03µm NICKEL ALL OVER,
 0.02 TO 0.08µm GOLD ON CONTACT AREA,
 2.03 TO 5.08µm 100% TIN ON TAILS

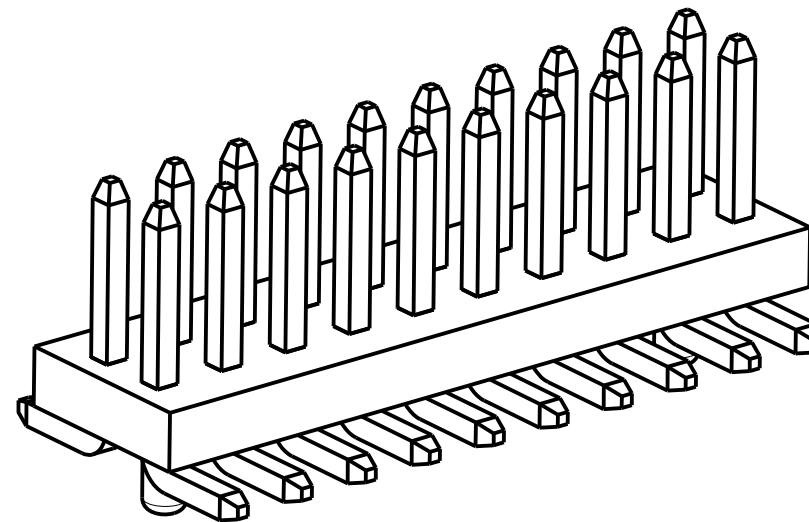
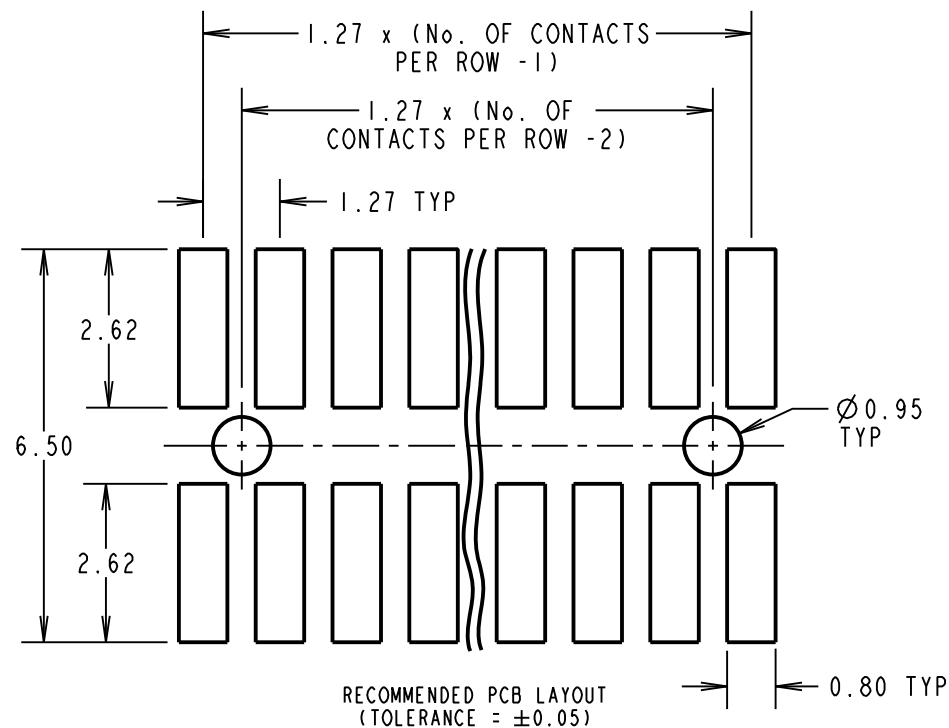
ELECTRICAL:
 CURRENT RATING = 1A
 CONTACT RESISTANCE = 20mΩ MAX
 INSULATION RESISTANCE = 1000MΩ MIN
 DIELECTRIC WITHSTANDING = 500V AC FOR
 ONE MINUTE

VOLTAGE RATING = 250V AC/DC

MECHANICAL:
 DURABILITY = 300 CYCLES MIN

ENVIRONMENTAL:
 TEMPERATURE RANGE = -55°C TO +105°C

PACKING:
 BOX
 FOR COMPLETE SPECIFICATION, SEE COMPONENT
 SPECIFICATION C029XX (LATEST ISSUE)



ORDER CODE: **M50-361XX42**

No. OF CONTACTS PER ROW: _____
 05, 06, 07, 08, 10, 12,
 15, 20, 25

FINISH: _____
 42 = SELECTIVE GOLD & 100% TIN OVER NICKEL

MGP	3	19.10.20	30242
NAME	ISS.	DATE	CN/CO
APPROVED: MGP			
CHECKED: MR			
DRAWN: M.PERREN			
CUSTOMER REF.:			
ASSEMBLY DRG:			

HARWIN
 www.harwin.com
 technical@harwin.com

THIS DRAWING AND ANY INFORMATION OR DESCRIPTIVE MATTER SET OUT HEREON ARE CONFIDENTIAL AND COPYRIGHT PROPERTY OF THE HARWIN GROUP AND MUST NOT BE DISCLOSED, LOANED, COPIED OR USED FOR MANUFACTURING, TENDERING OR FOR ANY OTHER PURPOSE WITHOUT THEIR WRITTEN PERMISSION.

TOLERANCES
 X. = ± 1mm
 X.X = ± 0.50mm
 X.XX = ± 0.20mm
 X.XXX = ± 0.01mm
 ANGLES = ± 5°
 UNLESS STATED

MATERIAL:
 SEE ABOVE
FINISH: SEE ABOVE
S/AREA: mm²

TITLE: 1.27mm PITCH DIL VERTICAL SMT PIN HEADER WITH LOCATION PEGS
DRAWING NUMBER: M50-361XX42
 SHT 2 OF 2