

Customer Information Sheet

DRAWING No.: M50-355XX42

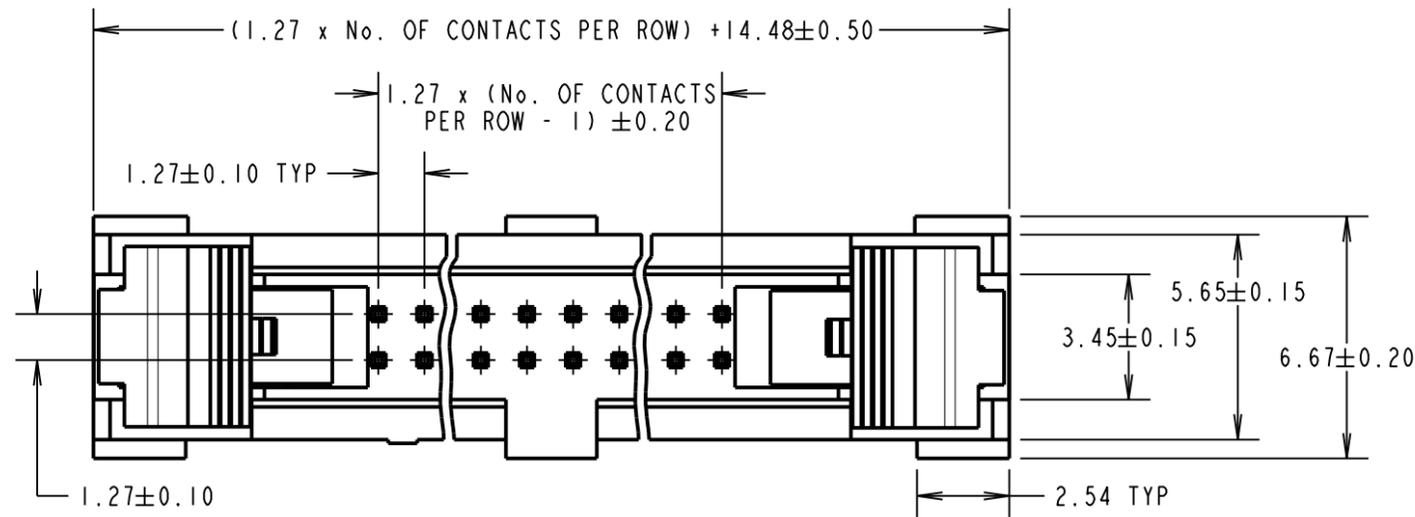
IF IN DOUBT - ASK

©

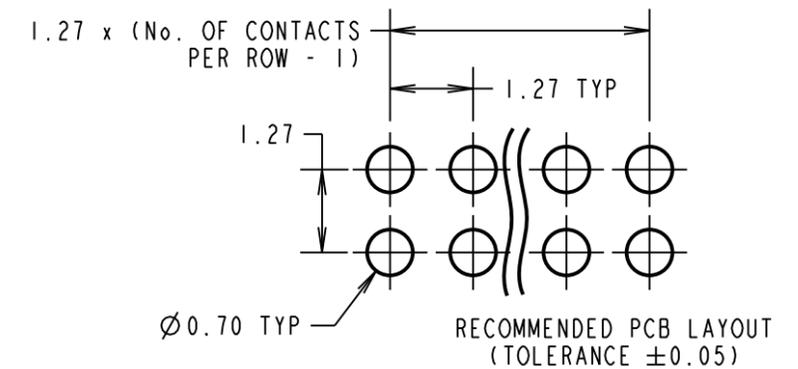
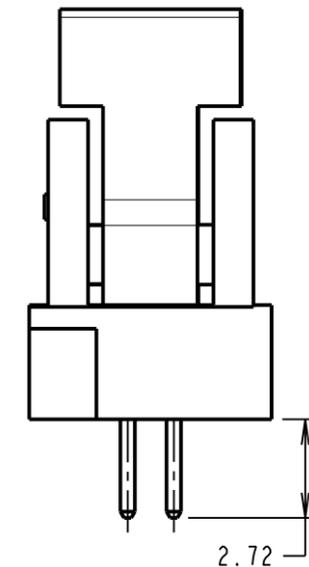
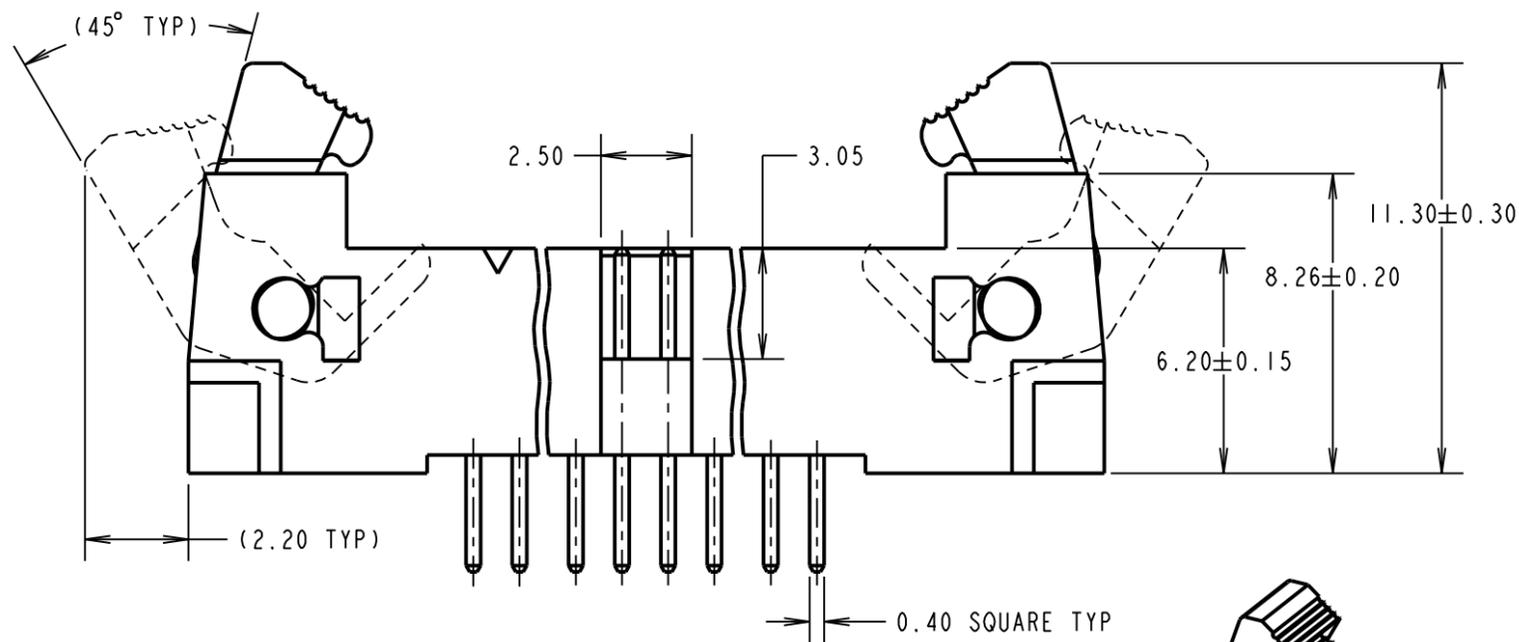
NOT TO SCALE

THIRD ANGLE PROJECTION

ALL DIMENSIONS IN mm



SPECIFICATIONS:
MATERIALS:
 MOULD = LCP, 30% G/F, UL94V-0
 CONTACT = BRASS
FINISH:
 42 = 0.015-0.02µm GOLD ON CONTACTS,
 2.54µm 100% TIN ON TAILS, OVER 0.76-2.03µm NICKEL
MECHANICAL:
 DURABILITY = 300 CYCLES MIN
 INSERTION FORCE = 1.0N MAX PER CONTACT
 WITHDRAWAL FORCE = 0.14N MIN PER CONTACT
ELECTRICAL:
 RATED CURRENT = 1.75A
 CONTACT RESISTANCE = 20mΩ MAX
 WITHSTAND VOLTAGE = 500V ACrms/DC FOR 1 MINUTE
 INSULATION RESISTANCE = 5000MΩ MIN
ENVIRONMENTAL:
 OPERATING TEMPERATURE = -55°C TO +125°C
PACKING:
 TUBE



Active products:
 M50-3550542
 M50-3550642
 M50-3550842
 M50-3551042
 M50-3551342
 M50-3551742
 M50-3552042
 M50-3552542

OBSOLETE
 All other size/finish combinations not listed above

ORDER CODE: M50-355XX42
 No. OF CONTACTS PER ROW: 05, 06, 07, 08, 10, 13, 17, 20, 25
FINISH: SELECTIVE GOLD, TIN

MGP	8	01.07.21	30628
NAME	ISS.	DATE	CN/CO
APPROVED: MGP			
CHECKED: RA			
DRAWN: R.ADDE			
CUSTOMER REF.:			
ASSEMBLY DRG:			

- NOTES:**
 1. FOR COMPLETE SPECIFICATION, SEE COMPONENT SPECIFICATION CO29XX (LATEST ISSUE).
 2. ALL TOLERANCES ARE ±0.25 UNLESS OTHERWISE STATED.
 3. CONNECTOR IS RoHS AND REACH COMPLIANT.

HARWIN
 www.harwin.com
 technical@harwin.com

THIS DRAWING AND ANY INFORMATION OR DESCRIPTIVE MATTER SET OUT HEREON ARE CONFIDENTIAL AND COPYRIGHT PROPERTY OF THE HARWIN GROUP AND MUST NOT BE DISCLOSED, LOANED, COPIED OR USED FOR MANUFACTURING, TENDERING OR FOR ANY OTHER PURPOSE WITHOUT THEIR WRITTEN PERMISSION.

TOLERANCES
 X = ±1mm
 X.X = ±0.50mm
 X.XX = ±0.20mm
 X.XXX = ±0.01mm
 ANGLES = ±5°
 UNLESS STATED

MATERIAL: SEE ABOVE
FINISH: SEE ABOVE
S/AREA: mm²

TITLE: 1.27mm DIL PC TAIL EJECTOR HEADER
DRAWING NUMBER: M50-355XX42