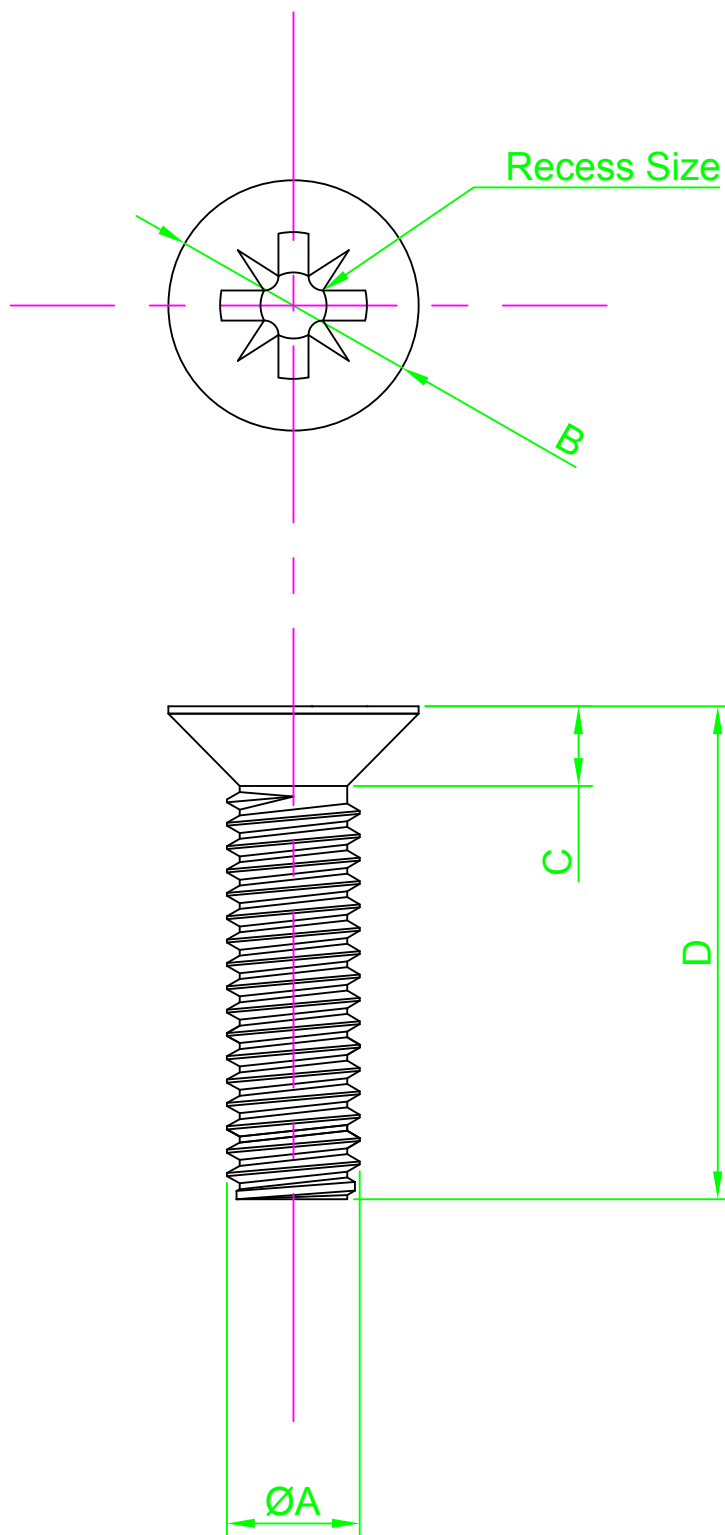
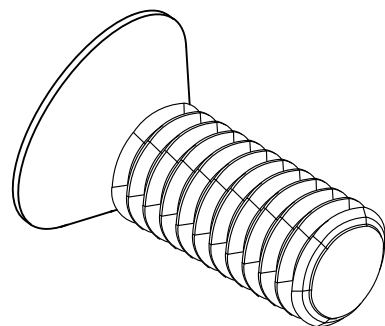


DO NOT SCALE DRAWING



REVISION

A INITIAL DRAWING 23.9.15

Part Number	ØA	B Nom	C Max	D Length	Recess Size
M2.5 6 KRSTMC Z100	M2.5-0.45	4.7	1.5	6	Pozi #1
M2.5 10 KRSTMC Z100				10	
M2.5 12 KRSTMC Z100				12	
M2.5 20 KRSTMC Z100				20	
M3 6 KRSTMC Z100	M3-0.5	5.6	1.65	6	Pozi #1
M3 10 KRSTMC Z100				10	
M3 12 KRSTMC Z100				12	
M3 16 KRSTMC Z100				16	
M3 20 KRSTMC Z100				20	
M3 25 KRSTMC Z100	25				
M3.5 10 KRSTMC Z100	M3.5-0.6	6.5	1.93	10	Pozi #2
M3.5 12 KRSTMC Z100				12	
M3.5 20 KRSTMC Z100				20	
M4 6 KRSTMC Z100	M4-0.7	7.5	2.2	6	Pozi #2
M4 10 KRSTMC Z100				10	
M4 12 KRSTMC Z100				12	
M4 16 KRSTMC Z100				16	
M4 20 KRSTMC Z100				20	
M4 25 KRSTMC Z100				25	
M4 40 KRSTMC Z100	40				
M5 12 KRSTMC Z100	M5-0.8	9.2	2.5	12	Pozi #2
M5 16 KRSTMC Z100				16	
M5 20 KRSTMC Z100				20	
M5 25 KRSTMC Z100				25	
M5 30 KRSTMC Z100				30	
M5 40 KRSTMC Z100	40				
M6 12 KRSTMC Z100	M6-1.0	11.0	3.0	12	Pozi #3
M6 16 KRSTMC Z100				16	
M6 20 KRSTMC Z100				20	
M6 25 KRSTMC Z100				25	
M6 40 KRSTMC Z100				40	
M6 50 KRSTMC Z100	50				

NOTES:



UNLESS OTHERWISE SPECIFIED:
DIMENSIONS ARE IN MM (MILLIMETERS).
SURFACE FINISH:
TOLERANCES: DIN 965

MATERIAL:
Steel

TITLE:
Pozi Csk Head Machine Screw DIN 965

NAME	DATE
DRAWN Darryl Wilson	23.09.15
CHK'D	
APPVD	

HEAT TREATMENT:
N/A

DESIGN RIGHT. TR FASTENINGS LTD. 2003
UNDER NO CIRCUMSTANCES MUST THIS
DRAWING BE COPIED OR DISCLOSED
WITHOUT FIRST OBTAINING WRITTEN
AUTHORITY.

CUSTOMER PART NUMBER:
N/A

FINISH:
TC1 - Commercial Zinc/Clear Trivalent

DRAWING NUMBER:
TR32KRSTMC

A4

