

Customer Information Sheet

DRAWING No.: M40-600XX46

SHEET 2 OF 2

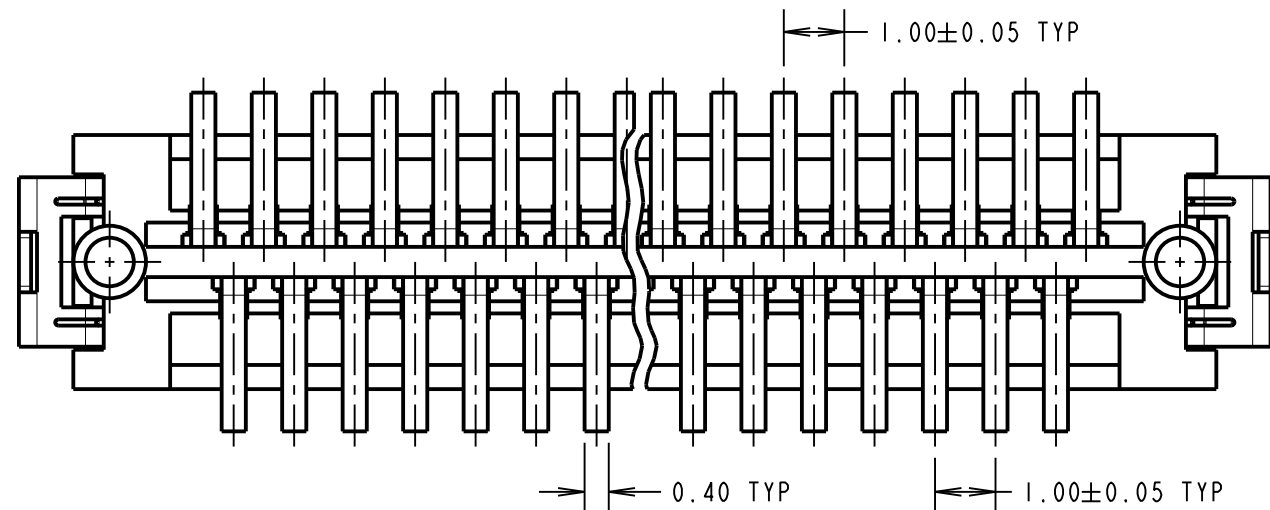
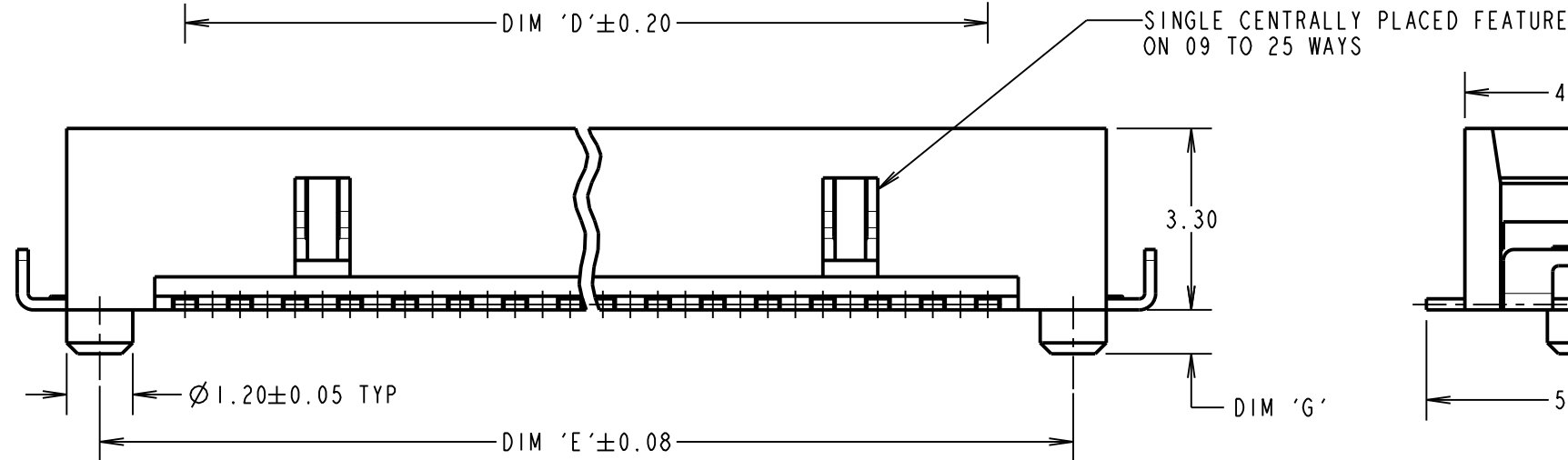
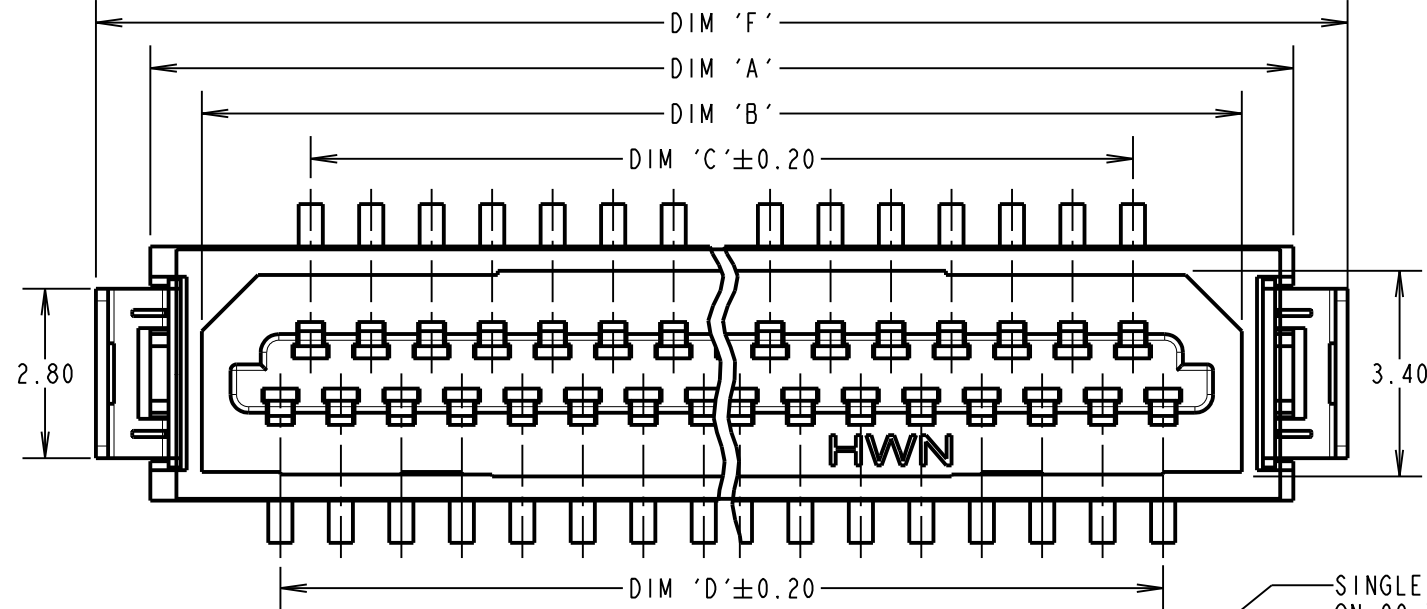
IF IN DOUBT - ASK

©

NOT TO SCALE

THIRD ANGLE PROJECTION

ALL DIMENSIONS IN mm



| PART No. | No. OF CONTACTS | DIM 'A' | DIM 'B' | DIM 'C' | DIM 'D' | DIM 'E' | DIM 'F' | DIM 'G' | DIM 'H' | NOTE 3 |
|-------------|-----------------|---------|---------|---------|---------|---------|---------|---------|--------------------------------|-------------|
| M40-6000946 | 9 | 8.30 | 6.60 | 3.00 | 4.00 | 7.10 | 10.10 | 1.00 | 1.84 ^{+0.10} -0.00 | 0.1 MAX |
| M40-6001546 | 15 | 11.30 | 9.60 | 6.00 | 7.00 | 10.10 | 13.10 | | | |
| M40-6002146 | 21 | 14.30 | 12.60 | 9.00 | 10.00 | 13.10 | 16.10 | | | |
| M40-6002546 | 25 | 16.30 | 14.60 | 11.00 | 12.00 | 15.10 | 18.10 | 0.80 | 3.00 ^{+0.00} -0.10 | 0.15 MAX |
| M40-6003146 | 31 | 19.30 | 17.60 | 14.00 | 15.00 | 18.10 | 21.10 | | | |
| M40-6004146 | 41 | 24.30 | 22.60 | 19.00 | 20.00 | 23.10 | 26.10 | | | |
| M40-6005146 | 51 | 29.30 | 27.60 | 24.00 | 25.00 | 28.10 | 31.10 | | | |

SPECIFICATIONS:

MATERIAL:

MOULDING = LCP, NATURAL, UL94V-0

CONTACTS = PHOSPHOR BRONZE

RETAINERS = BRASS

FINISH = 2.03µm MIN 100% TIN, OVER 1.27µm MIN NICKEL

ELECTRICAL:

CURRENT RATING = 0.5A

VOLTAGE RATING = 150V AC

DIELECTRIC STRENGTH = 250V AC FOR 1 MINUTE

INSULATION RESISTANCE = 500MΩ MIN

CONTACT RESISTANCE = 50mΩ MAX

MECHANICAL:

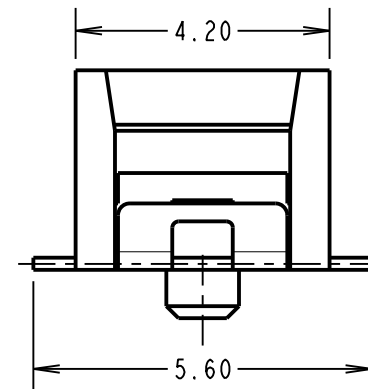
DURABILITY = 30 CYCLES MIN

ENVIRONMENTAL:

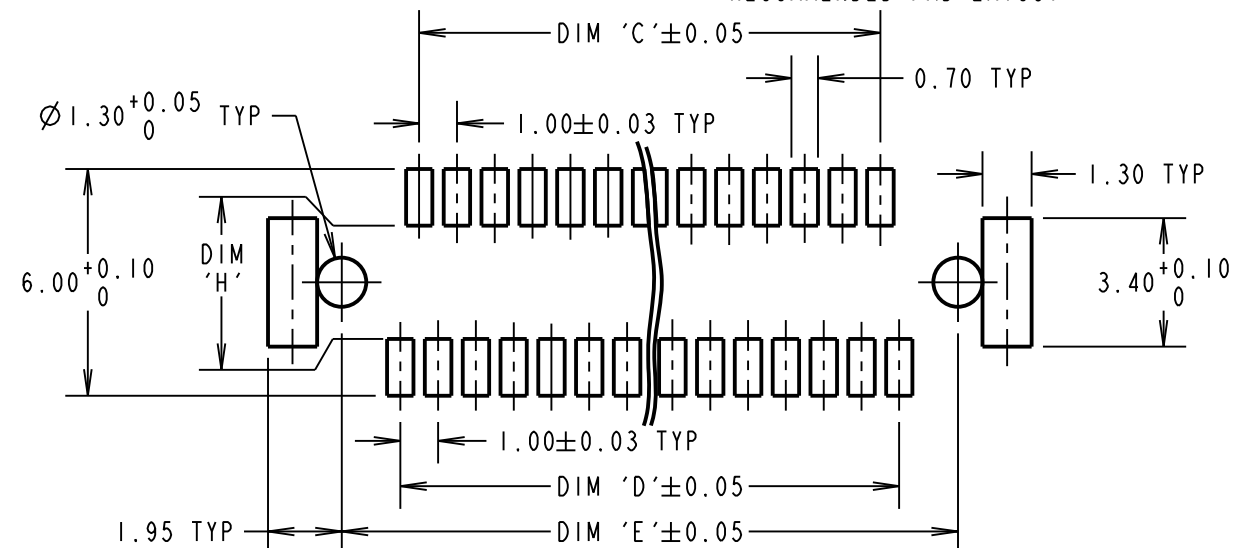
TEMPERATURE RANGE = -20°C TO +125°C

PACKING:

TUBE



RECOMMENDED PAD LAYOUT



NOTES:

- MATES WITH M40-620XX46 TO GIVE 4.3mm BOARD TO BOARD HEIGHT.
- ALL TOLERANCES ARE ±0.25 UNLESS OTHERWISE STATED.
- COPLANARITY - ALIGNMENT OF SMT TAILS AND RETAINERS MUST NOT EXCEED TOLERANCE GIVEN IN TABLE.

ORDER CODE:
M40-600XX46

No. OF CONTACTS
9, 15, 21, 25, 31,
41, 51.

FINISH:
46 = 100% TIN

HARWIN

www.harwin.com
technical@harwin.com

THIS DRAWING AND ANY INFORMATION OR DESCRIPTIVE MATTER SET OUT HEREON ARE CONFIDENTIAL AND COPYRIGHT PROPERTY OF THE HARWIN GROUP AND MUST NOT BE DISCLOSED, LOANED, COPIED OR USED FOR MANUFACTURING, TENDERING OR FOR ANY OTHER PURPOSE WITHOUT THEIR WRITTEN PERMISSION.

TOLERANCES
X = ±1mm
X.X = ±0.50mm
X.XX = ±0.10mm
X.XXX = ±0.01mm
ANGLES = ±5°
UNLESS STATED

MATERIAL:
SEE ABOVE

FINISH:
SEE ABOVE

S/AREA:
mm²

TITLE:
1.00mm PITCH SMT
PLUG CONNECTOR

DRAWING NUMBER:
M40-600XX46

SHT 2 OF 2

| | | | |
|----------------|------|----------|--------|
| MGP | 15 | 14.08.18 | 21443 |
| NAME | ISS. | DATE | C/NOTE |
| APPROVED: MGP | | | |
| CHECKED: RP | | | |
| DRAWN: R.ADDE | | | |
| CUSTOMER REF.: | | | |
| ASSEMBLY DRG: | | | |