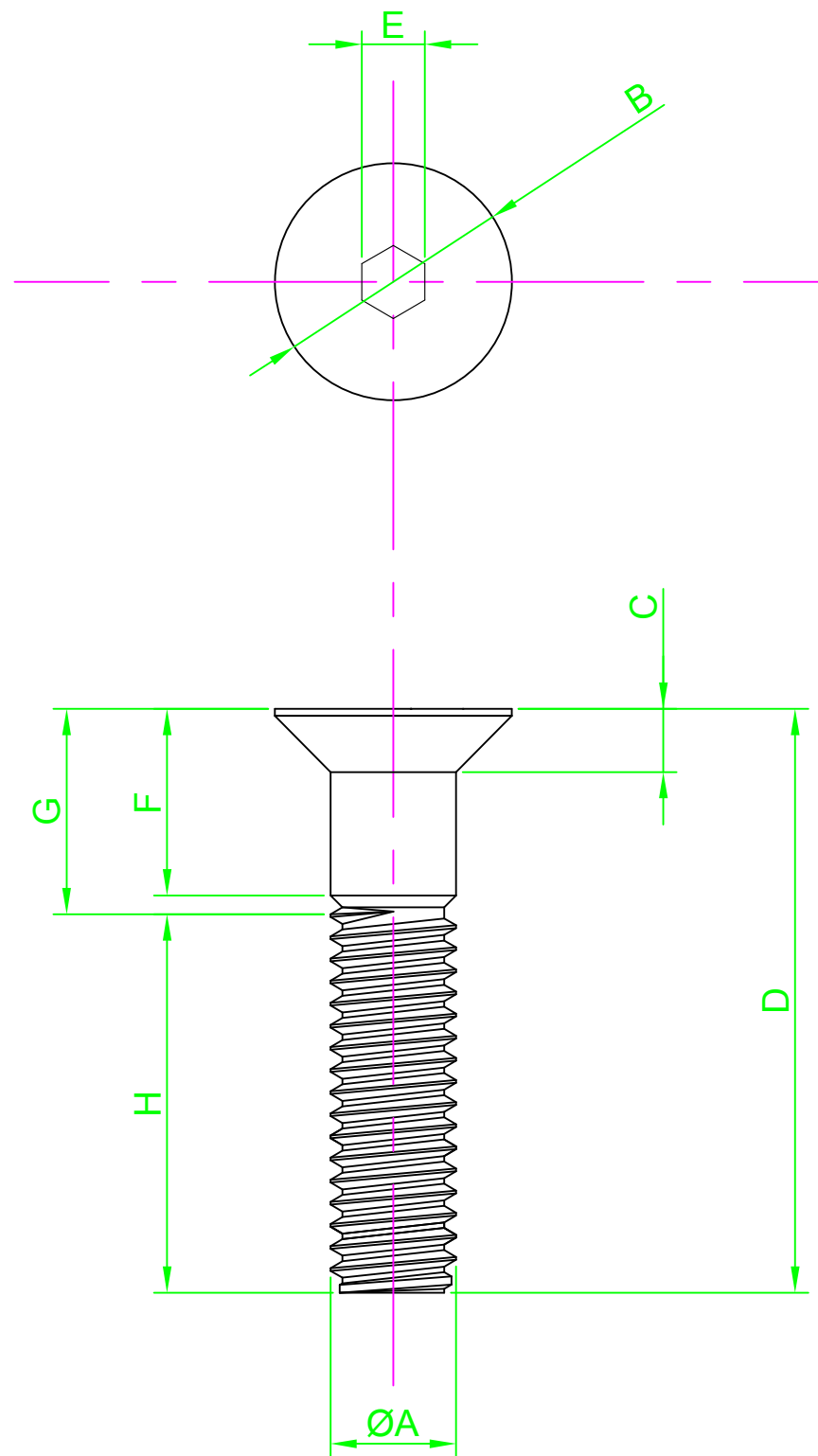
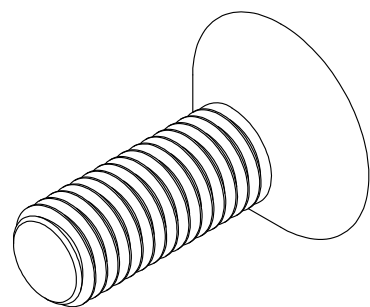


DO NOT SCALE DRAWING



REVISION

A INITIAL DRAWING 25.01.16

Part Number	ØA	B Nom	C Max	D Length	E Nom	F Min	G Max	H Ref		
M3 6 KH10MC S100	M3-0.5	6.0	1.7	6.0	2.0	N/A	3.20	N/A		
M3 8 KH10MC S100				8.0						
M3 10 KH10MC S100				10.0						
M3 12 KH10MC S100				12.0						
M3 20 KH10MC S100				20.0						
M4 8 KH10MC S100	M4-0.7	8.0	2.3	8.0	2.5	N/A	4.40	N/A		
M4 10 KH10MC S100				10.0						
M4 12 KH10MC S100				12.0						
M4 16 KH10MC S100				16.0						
M4 30 KH10MC S100				30.0					12.5	16.0
M5 10 KH10MC S100	M5-0.8	10.0	2.8	10.0	3.0	N/A	5.20	N/A		
M5 12 KH10MC S100				12.0						
M5 16 KH10MC S100				16.0						
M5 25 KH10MC S100				25.0						
M5 30 KH10MC S100				30.0						
M5 35 KH10MC S100				35.0					15.0	19.0
M5 40 KH10MC S100				40.0					20.0	24.0
M5 50 KH10MC S100	50.0	30.0	34.0							
M6 10 KH10MC S100	M6-1.0	12.0	3.3	10.0	4.0	N/A	6.30	N/A		
M6 12 KH10MC S100				12.0						
M6 16 KH10MC S100				16.0						
M6 20 KH10MC S100				20.0						
M6 25 KH10MC S100				25.0						

NOTES:



UNLESS OTHERWISE SPECIFIED:
DIMENSIONS ARE IN MM (MILLIMETERS).
SURFACE FINISH:
TOLERANCES: DIN 7991

MATERIAL:
Steel

TITLE:
Hex Socket Csk Head Cap Screw DIN 7991

	NAME	DATE
DRAWN	Darryl Wilson	25.01.16
CHK'D		
APPVD		

HEAT TREATMENT:
Grade 10.9

DESIGN RIGHT. TR FASTENINGS LTD, 2003
UNDER NO CIRCUMSTANCES MUST THIS
DRAWING BE COPIED OR DISCLOSED
WITHOUT FIRST OBTAINING WRITTEN
AUTHORITY.

CUSTOMER PART NUMBER:
N/A

FINISH:
Self Finish

DRAWING NUMBER:
TR32KH10MCS100

A4

PROJECTION

