

Customer Information Sheet

DRAWING No.: M20-889XX45R

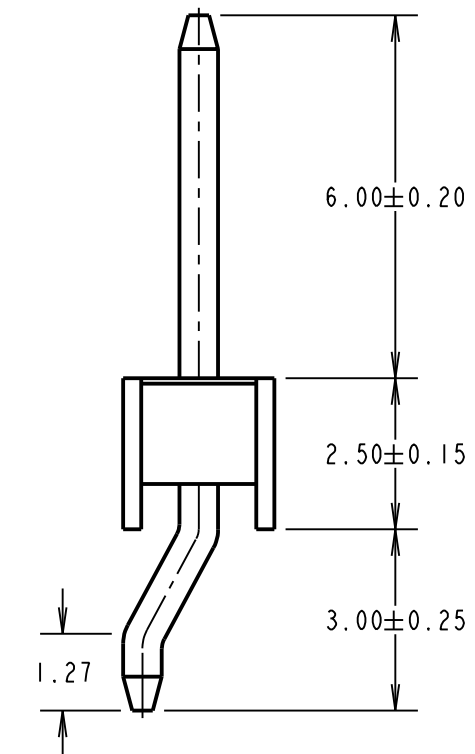
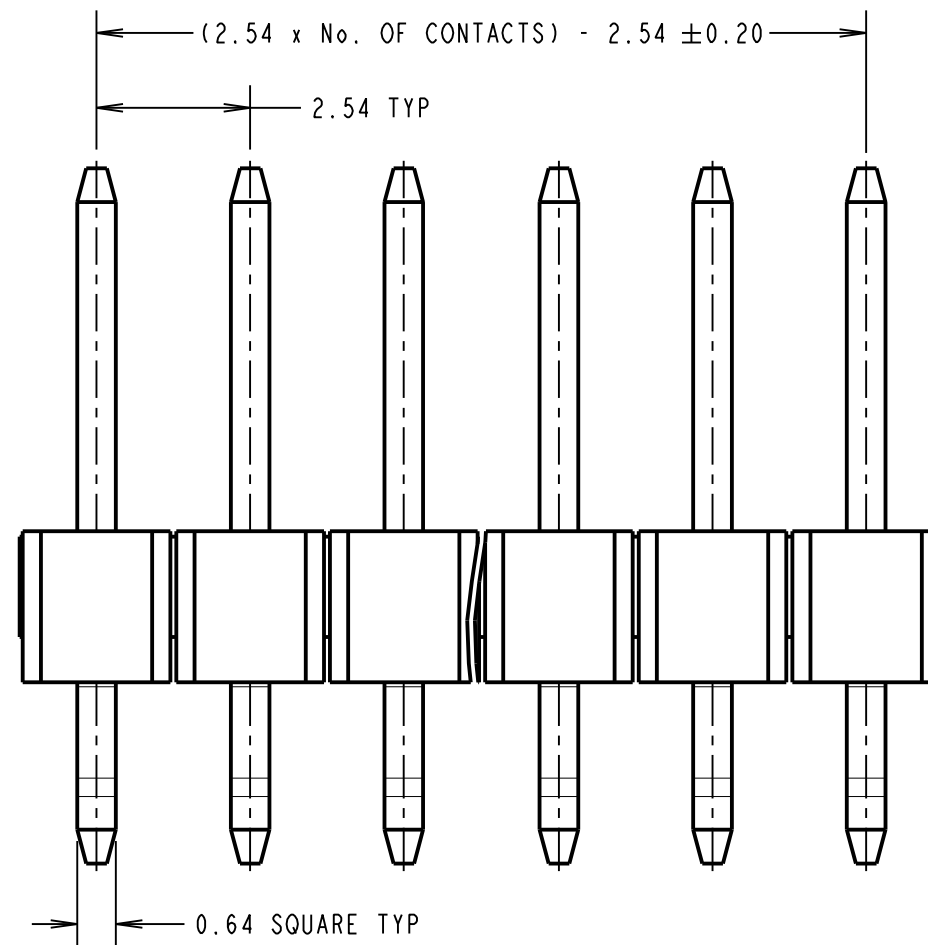
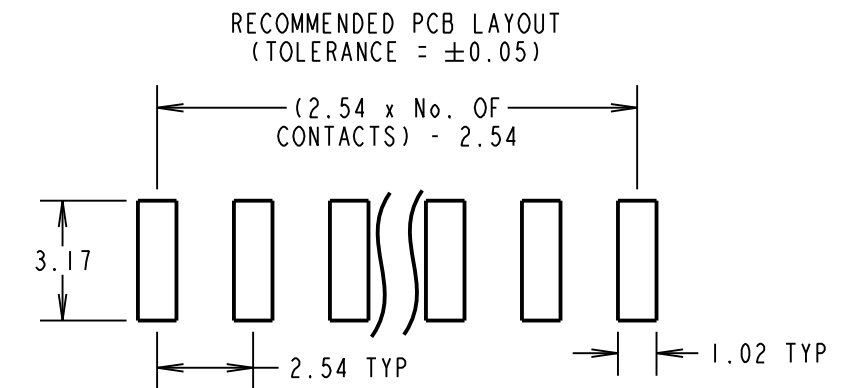
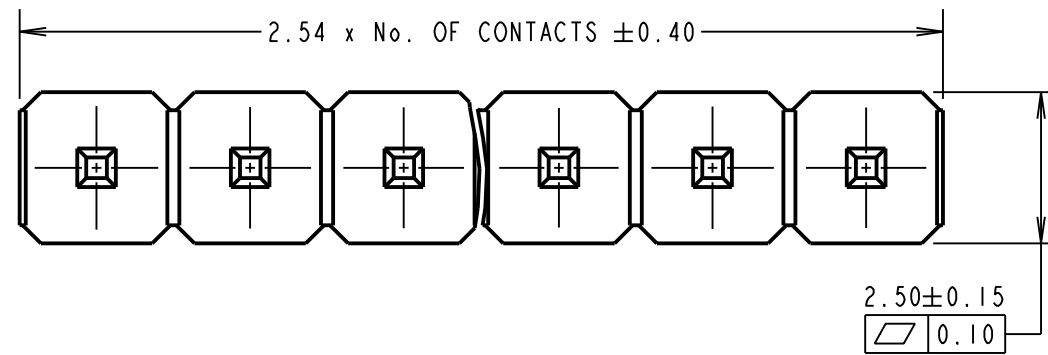
IF IN DOUBT - ASK

©

NOT TO SCALE

THIRD ANGLE PROJECTION

ALL DIMENSIONS IN mm



SPECIFICATIONS:
MATERIAL:
 CONTACT = BRASS
 MOULDING = GLASS FILLED PA9T, UL94V-0
FINISH:
 0.015µm GOLD OVER 0.76-2.03µm NICKEL
ELECTRICAL:
 CURRENT RATING = 3A
 CONTACT RESISTANCE = 20mΩ MAX
 INSULATION RESISTANCE = 1000MΩ MIN
 VOLTAGE PROOF = 1000V AC FOR ONE MINUTE
MECHANICAL:
 DURABILITY = 300 CYCLES MIN
ENVIRONMENTAL:
 OPERATING TEMPERATURE = -40°C TO +105°C

NOTES:
 1. ALL TOLERANCES ARE ±0.25, UNLESS OTHERWISE STATED.
 2. FOR TAPE AND REEL DETAILS, SEE SHEET 4.

ORDER CODE:
M20-889XX45X
 No. OF CONTACTS: _____
 02-06, 08 & 10
 PACKING: _____
 BLANK = TUBE
 R = TAPE AND REEL (SHEET 4)

MGP	2	26.03.20	22294
NAME	ISS.	DATE	C/NOTE
APPROVED: MGP			
CHECKED: RP			
DRAWN: M.PERREN			
CUSTOMER REF.:			
ASSEMBLY DRG:			

HARWIN
 www.harwin.com
 technical@harwin.com

THIS DRAWING AND ANY INFORMATION OR DESCRIPTIVE MATTER SET OUT HEREON ARE CONFIDENTIAL AND COPYRIGHT PROPERTY OF THE HARWIN GROUP AND MUST NOT BE DISCLOSED, LOANED, COPIED OR USED FOR MANUFACTURING, TENDERING OR FOR ANY OTHER PURPOSE WITHOUT THEIR WRITTEN PERMISSION.

TOLERANCES
 X = ±1mm
 X.X = ±0.50mm
 X.XX = ±0.20mm
 X.XXX = ±0.01mm
 ANGLES = ±5°
 UNLESS STATED

MATERIAL:
 SEE ABOVE
FINISH: SEE ABOVE
S/AREA: mm²

TITLE:
 2.54mm HORIZONTAL PIN HEADER,
 SIL SMT TAPE & REEL
DRAWING NUMBER:
M20-889XX45X
 SHT 3 OF 4

Customer Information Sheet

DRAWING No.: M20-889XX45R

IF IN DOUBT - ASK

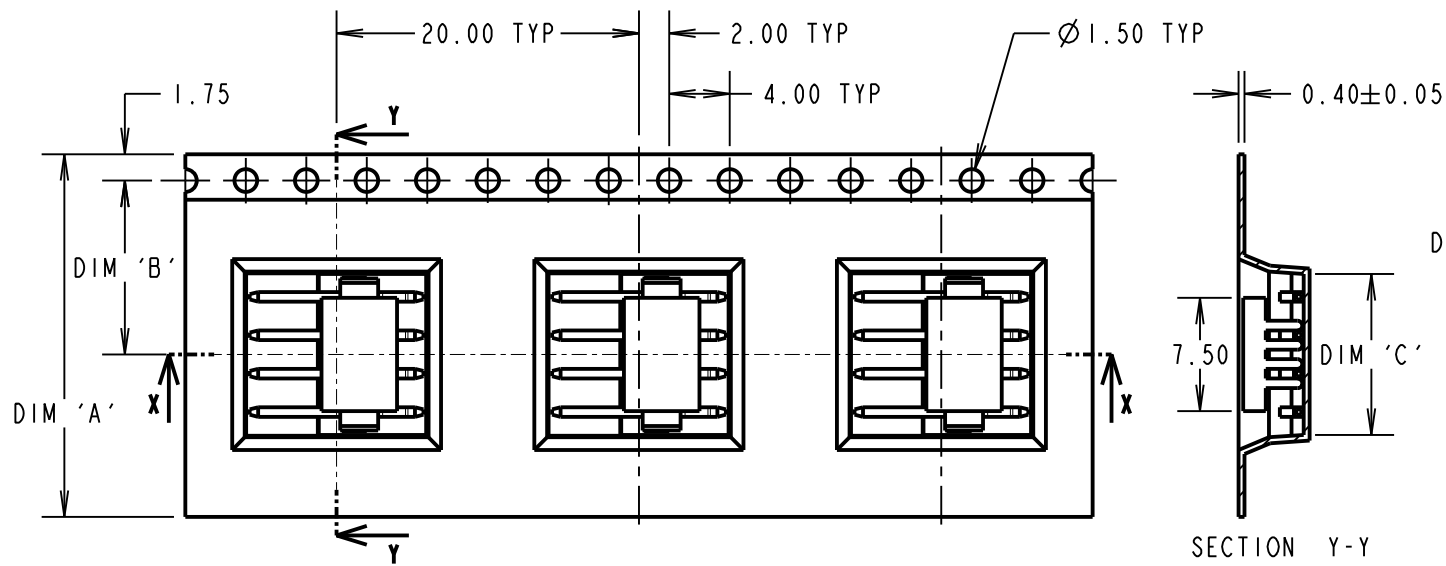
©

NOT TO SCALE

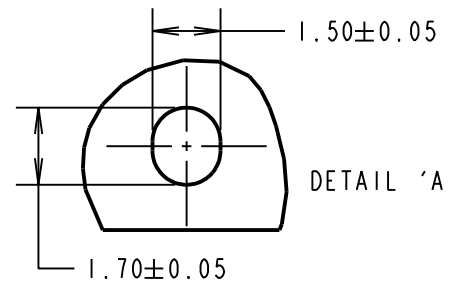
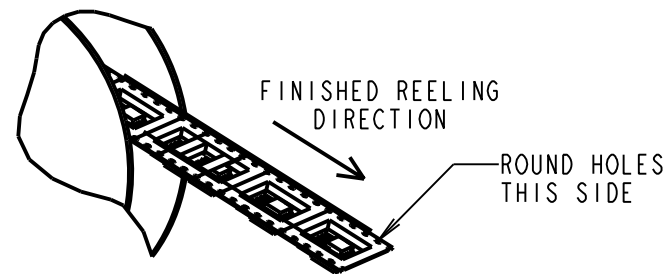
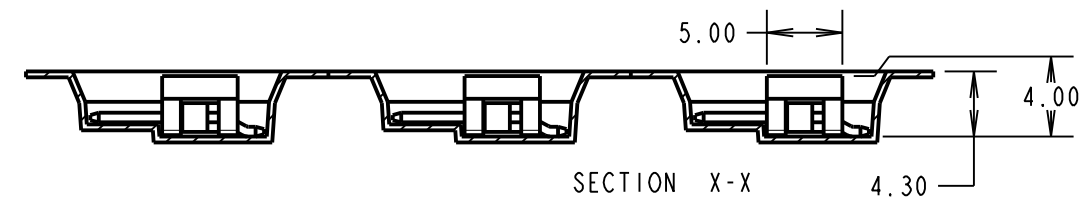
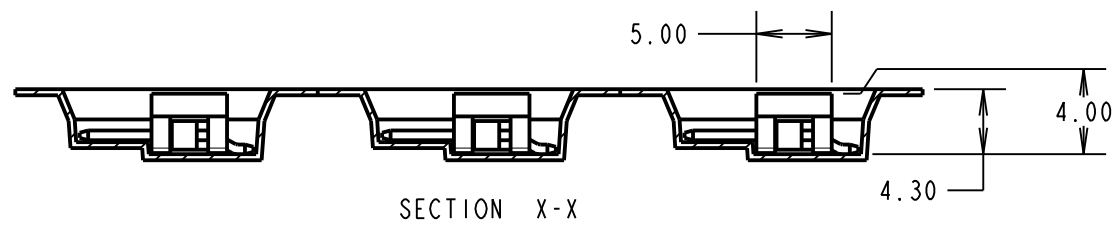
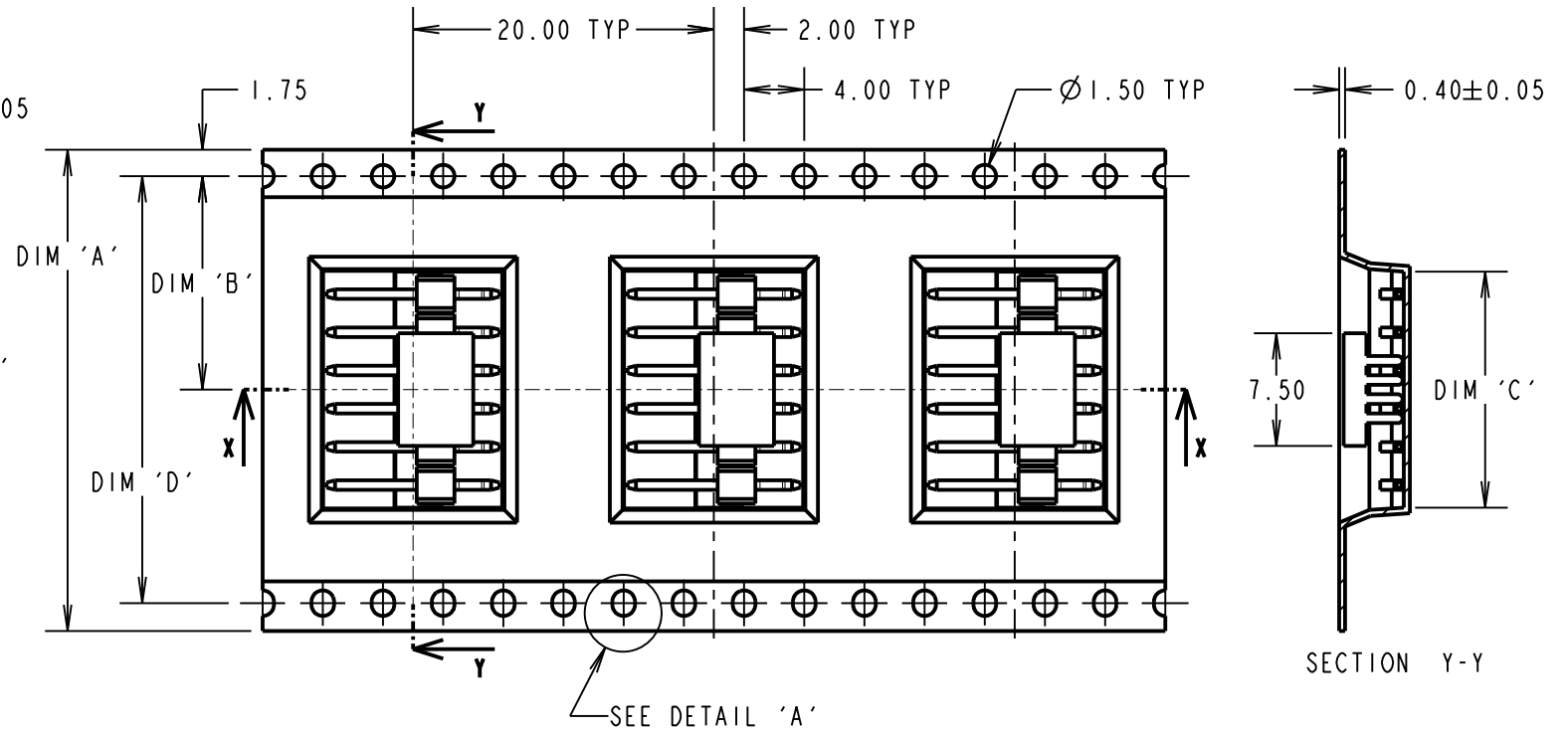
THIRD ANGLE PROJECTION

ALL DIMENSIONS IN mm

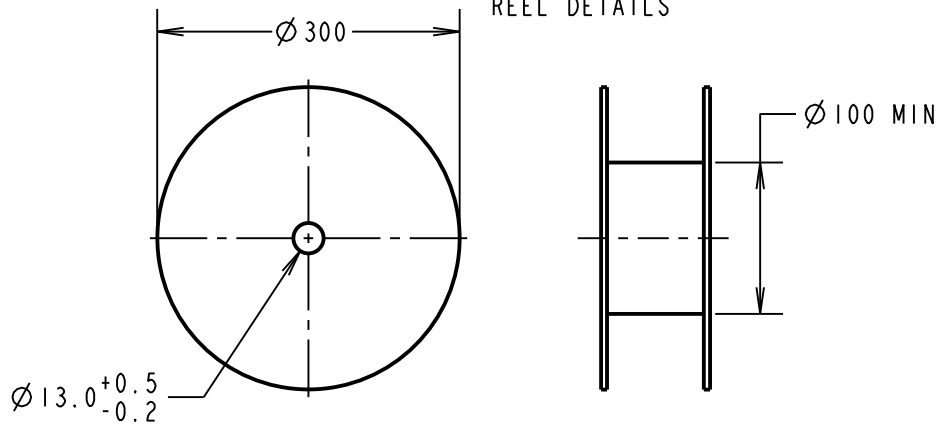
TAPE DETAILS FOR
02, 03, 04 & 05 WAYS ONLY



TAPE DETAILS FOR
06, 08, & 10 WAYS ONLY



REEL DETAILS



ORDER CODE:
M20-889XX45X

No. OF CONTACTS: _____
02-06, 08 & 10

PACKING: _____
BLANK = TUBE (SHEET 3)
R = TAPE AND REEL

PART No.	DIMENSION				REEL QUANTITY
	DIM 'A'	DIM 'B'	DIM 'C'	DIM 'D'	
M20-8890245R	24.00±0.30	11.50±0.15	7.68	N/A	500
M20-8890345R			8.00		
M20-8890445R			10.55		
M20-8890545R			13.10		
M20-8890645R			32.00±0.30		
M20-8890845R	44.00±0.30	20.20±0.15	20.70	40.40	
M20-8891045R			25.80		

MGP	2	26.03.20	22294
NAME	ISS.	DATE	C/NOTE
APPROVED: MGP			
CHECKED: RP			
DRAWN: M.PERREN			
CUSTOMER REF.:			
ASSEMBLY DRG:			

- NOTES:
- PRODUCT IS TAPE AND REELED IN GENERAL ACCORDANCE WITH EIA-481 (ELECTRICAL INDUSTRIES ASSOCIATION).
 - FOR CONNECTOR DETAILS AND SPECIFICATIONS, SEE SHEET 3.

HARWIN

www.harwin.com
technical@harwin.com

THIS DRAWING AND ANY INFORMATION OR DESCRIPTIVE MATTER SET OUT HEREON ARE CONFIDENTIAL AND COPYRIGHT PROPERTY OF THE HARWIN GROUP AND MUST NOT BE DISCLOSED, LOANED, COPIED OR USED FOR MANUFACTURING, TENDERING OR FOR ANY OTHER PURPOSE WITHOUT THEIR WRITTEN PERMISSION.

TOLERANCES
X. = ±1mm
X.X = ±0.50mm
X.XX = ±0.20mm
X.XXX = ±0.01mm
ANGLES = ±5°
UNLESS STATED

MATERIAL: SEE ABOVE
FINISH: SEE ABOVE
S/AREA: mm²

TITLE: 2.54mm HORIZONTAL PIN HEADER, SIL SMT TAPE & REEL
DRAWING NUMBER: **M20-889XX45X**
SHT 4 OF 4