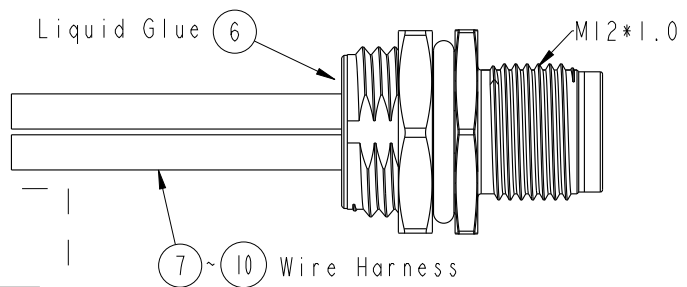
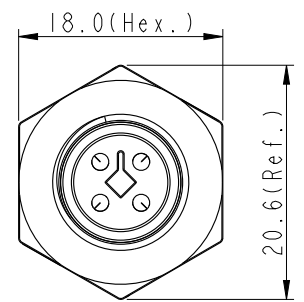
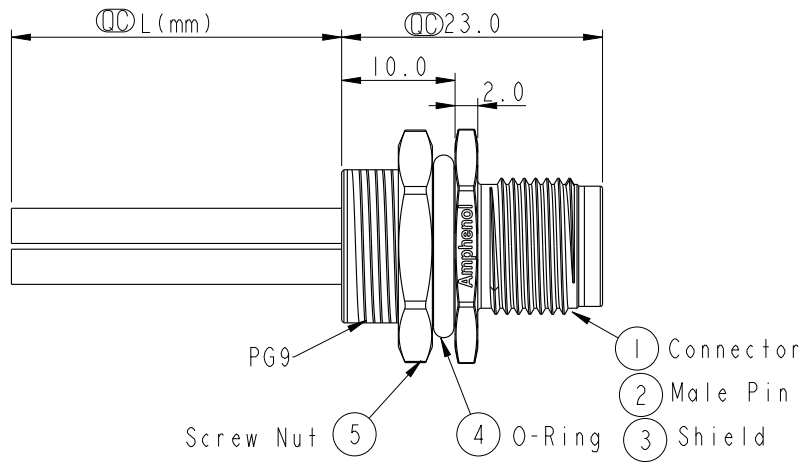
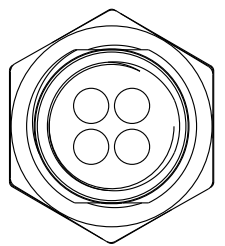
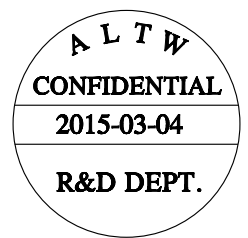


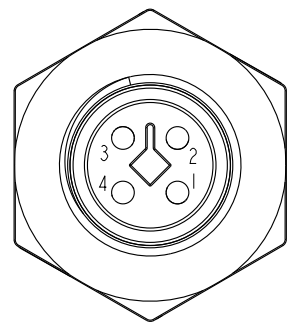
THIS DOCUMENT IS SUBJECT TO CHANGE WITHOUT NOTICE. IT IS CONFIDENTIAL AND A PROPERTY OF Amphenol LTW. DISCLOSURE TO THIRD PARTY HAS TO BE AUTHORIZED BY Amphenol LTW.

REV.	ECN NO.	DATE	SIGN	DESCRIPTION
A	Initial Release	2015/03/04	Cary	Change Rev. 01 to Rev.A

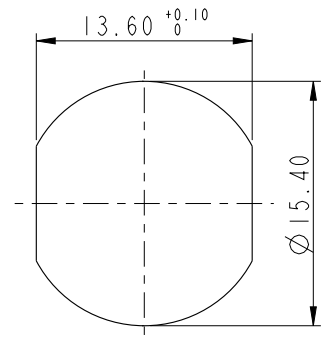


M12T-04PMMS-SH8BXX

- XX: 150~1500mm
- 15: 150mm
- 30: 300mm
- 50: 500mm
- A0: 1000mm
- A5: 1500mm
- Wire Length(L): 150~1500mm



Pin Assignment Front View



Recommended Panel Cut-Out

4	Black	黑
3	Blue	藍
2	White	白
1	Brown	棕
Conn.	Wire Color	Pin Out

- Note:
- * \varnothing Important Dimension.
 - * Waterproof Rate: IP68.
 - IP68: 1M Depth Of Water In 24hours.
 - * Housing: Nylon66, UL94V-0, Black.
 - * Male Pin: Copper Alloy, Gold Plated.
 - * Shield: Zinc Alloy, Nickel Plated.
 - * Panel Nut: Zinc Alloy, Nickel Plated.
 - * O-Ring: Viton, Black.
 - * Wire Harness: UL1015 16AWG(1.5mm²).
 - * Rated Voltage: 60V DC.
 - * Rated Current at 40°C: 12A
 - * Operation Temperature: -40~85°C.
 - * For Panel Thickness Max 4.5mm.
 - * Nut Torque: 4-6 Kgf.cm(0.4~0.6N.m).
 - * Wire harness Tolerance: 150~300 ±15mm
 - 301~1000 ±20mm
 - Over1000 ±40mm

UNIT:mm		TITLE		ITEM NO	DRAWN BY	DATE
		M12 T-Code 4Pin Male Type				
TOLERANCE		SCALE	SIZE	DWG NO	CHECKED BY	DATE
.X ±0.25		1:1	A4	M12T-04PMMS-SH8BXX	Yu Long	2015-03-04
.XX ±0.1	REV.	WC-REV.	: Inspection item	CUSTOMER	APPROVED BY	DATE
.XXX ±0.05	A	A.1		ALTW	Jerry	2015-03-04
ANGLES ±1°			<h1>Amphenol LTW</h1> <p>安費諾亮泰企業股份有限公司</p>			

A B C D E F 1 2 3 4 5 6 7 8