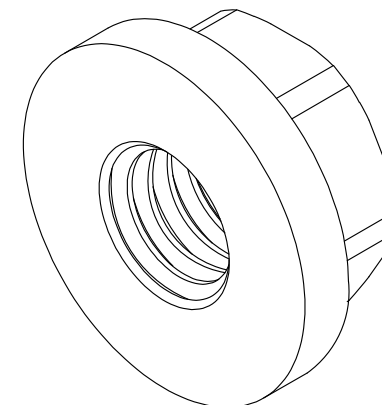
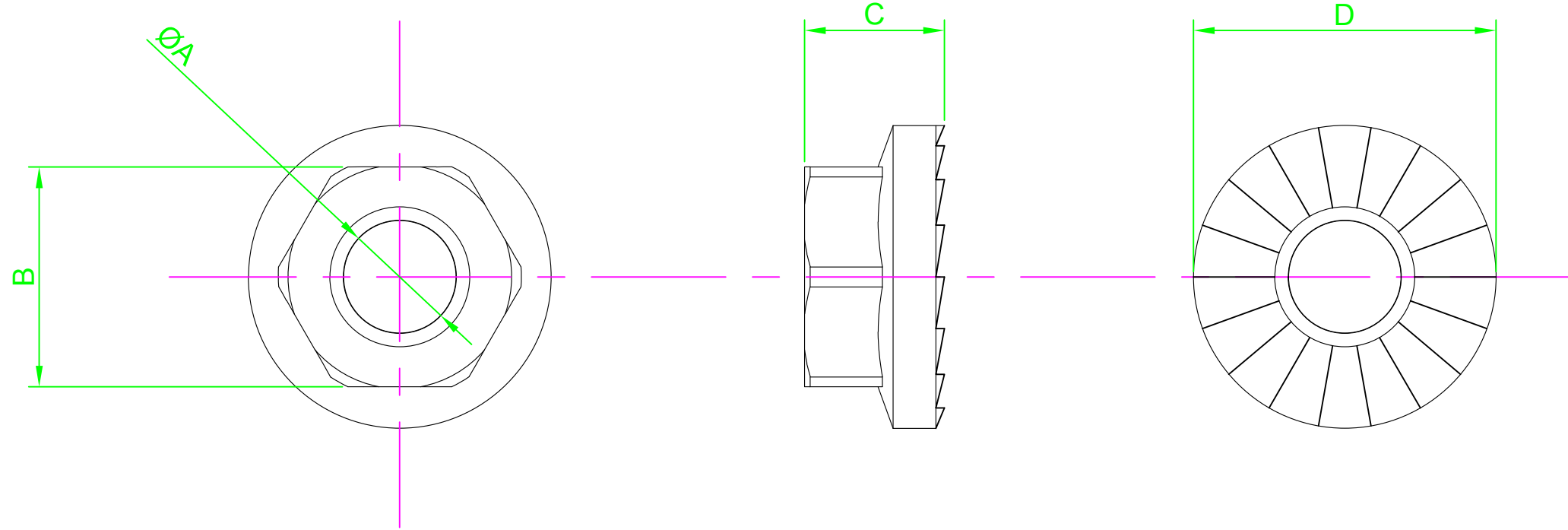


DO NOT SCALE DRAWING



REVISION

A INITIAL DRAWING 24.9.15

Part Number	ØA	B Nom	C Max	D Max	Pack Qty
M5 - SFST- Z100	M5-0.8	8	5	11.8	100
M6 - SFST- Z100	M6-1.0	10	6	14.2	100
M8 - SFST- Z100	M8-1.25	13	8	17.9	100
M10 - SFST- Z50	M10-1.5	15	10	21.8	50
M12 - SFST- Z50	M12-1.75	18	12	26	50

NOTES:



UNLESS OTHERWISE SPECIFIED:
DIMENSIONS ARE IN MM (MILLIMETERS).
SURFACE FINISH:
TOLERANCES: DIN 6923

MATERIAL:
Steel

TITLE:
Hex Serrated Flange Nut - Dimensions
Similar to DIN 6923

	NAME	DATE
DRAWN	Darryl Wilson	24.09.15
CHK'D		
APPVD		

HEAT TREATMENT:

DESIGN RIGHT. TR FASTENINGS LTD, 2003
UNDER NO CIRCUMSTANCES MUST THIS
DRAWING BE COPIED OR DISCLOSED
WITHOUT FIRST OBTAINING WRITTEN
AUTHORITY.

CUSTOMER PART NUMBER:
N/A

FINISH:
TC1 - Commercial ZInC/Clear Trivalent

DRAWING NUMBER:
TR32SFST-

A4