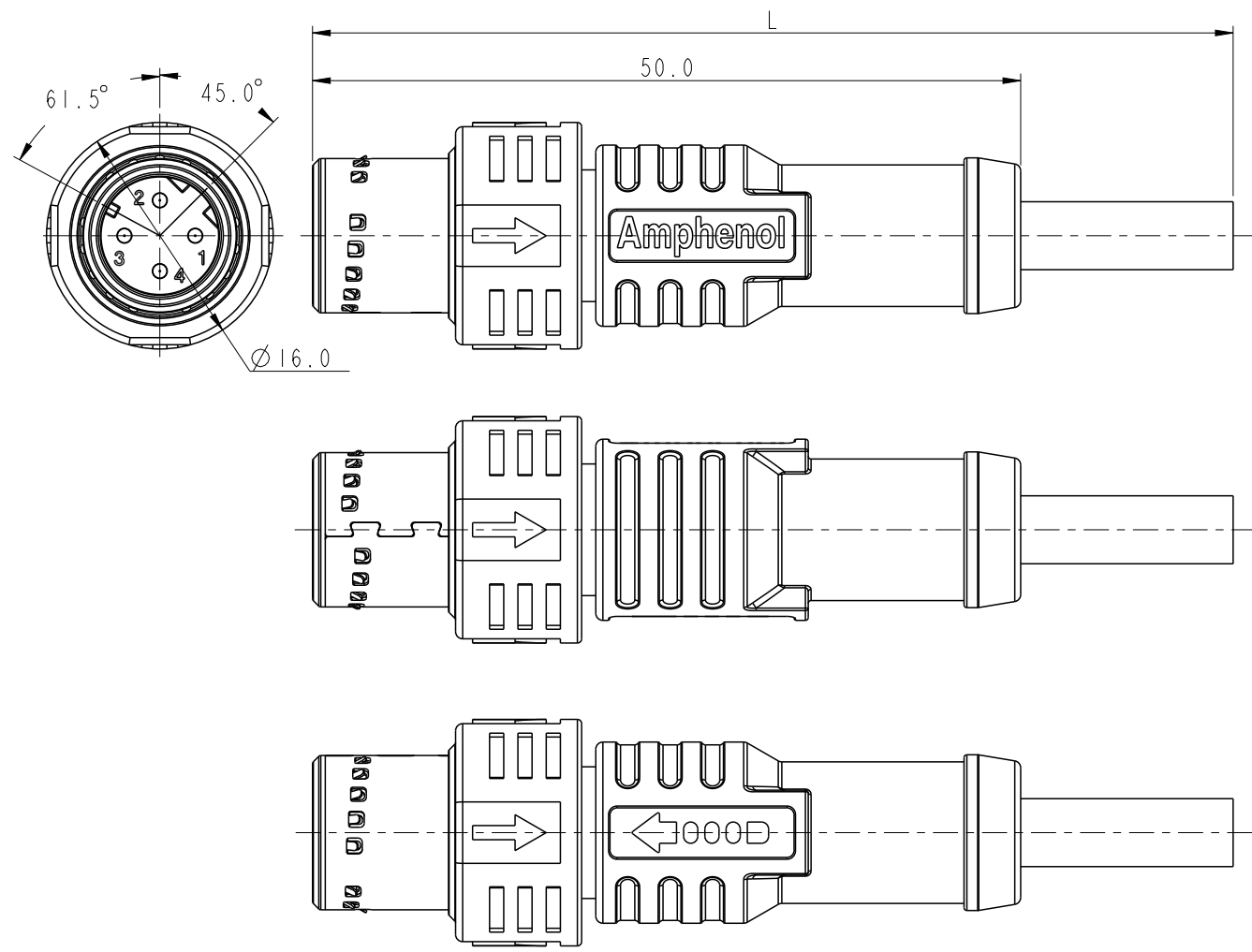


THIS DOCUMENT IS SUBJECT TO CHANGE WITHOUT NOTICE. IT IS CONFIDENTIAL AND A PROPERTY OF Amphenol LTW. DISCLOSURE TO THIRD PARTY HAS TO BE AUTHORIZED BY Amphenol LTW.

REV.	ECN NO.	DATE	SIGN	DESCRIPTION
A		2020-08-26	Sam Ho	New Release



Notes:  
 Material Specification:  
 \* Housing: Thermoplastic, UL94V-0, Black.  
 \* Male Pin: Copper Alloy, Gold Plated.  
 \* Shell & Latch & Spring: Matal.  
 \* Outer Mold: Thermoplastic, Black.  
 Electrical Specification:  
 \* Contact Resistance: 10mΩ (Max.)  
 \* Insulation Resistance: 100MΩ (Min.)  
 \* Voltage Proof: 2.5KV  
 \* Rated Voltage: 250V D.C. or A.C.  
 \* Rated Current: 4.0A  
 Mechanical Specification:  
 \* Durability: 500 Cycles.  
 Environmental Specification:  
 \* Waterproof Rate: IP68.  
 \* Temperature Range:  
 -20~+80°C For PVC Cable  
 -20~+85°C For PU Cable

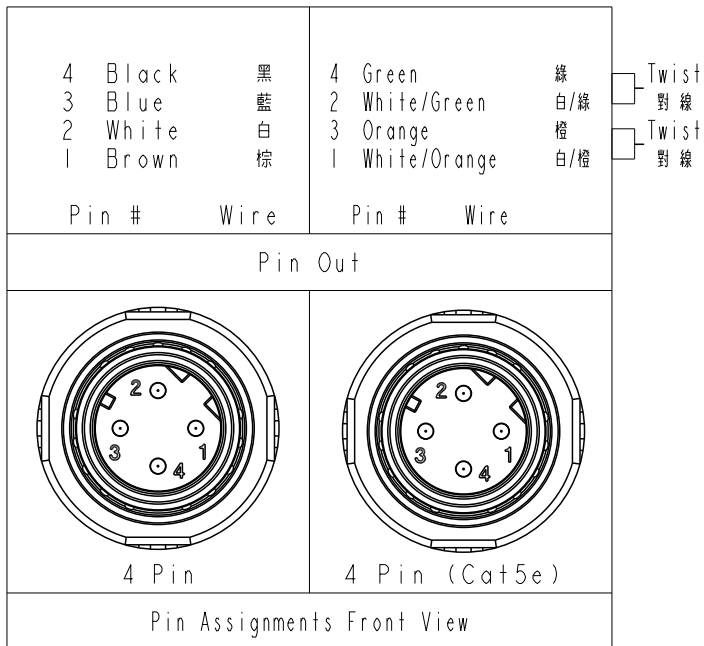
UNIT:mm		
TOLERANCE ±0.50mm		

TITLE M12 D Code Push Pull Type Cable			
SCALE 2:1	SIZE A4	SHEET 1 OF 2	
REV. A	WC-REV.	☉: Inspection item	

**Amphenol LTW**  
 安費諾亮泰企業股份有限公司

ITEM NO. M12D-04BMMM-PL8XXX	DRAWN BY Sam Ho	DATE 2020-08-26
DWG NO. M12D-04BMMM-PL8XXX	CHECKED BY Fred Lee	DATE 2020-08-26
CUSTOMER ALTW	APPROVED BY Fred Lee	DATE 2020-08-26

THIS DOCUMENT IS SUBJECT TO CHANGE WITHOUT NOTICE. IT IS CONFIDENTIAL AND A PROPERTY OF AMPHENOL LTW. DISCLOSURE TO THIRD PARTY HAS TO BE AUTHORIZED BY AMPHENOL LTW.




4 Pin	PU	6.2	22	MI2D-04BMMM-PL8EXX
	PVC	4.8		MI2D-04BMMM-PL8DXX
	PUR	4.0		MI2D-04BMMM-PL8BXX
	PVC	4.8		MI2D-04BMMM-PL8AXX
Contacts	Cable Jacket	Cable OD	AWG	Item No.

MI2D-04BMMM-PL8 X XX

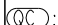
XX: L=0~99Meters  
 01: L=1Meters  
 02: L=2Meters  
 :  
 99: L=99Meters

A: PCV UL2517 Cable, Yellow.  
 B: PUR UL20549 Cable, Black.  
 D: PCV UL2517 Cable, Black.  
 E: PU Cat5e Cable, Black.

UNIT: mm 

TOLERANCE  
±0.50mm

TITLE  
MI2 D Code Push Pull Type Cable

SCALE 2:1	SIZE A4	SHEET 2 OF 2	
REV. A	WC-REV.	 Inspection item	

Amphenol LTW

安費諾亮泰企業股份有限公司

ITEM NO. MI2D-04BMMM-PL8XXX	DRAWN BY Sam Ho	DATE 2020-08-26	
DWG NO. MI2D-04BMMM-PL8XXX	CHECKED BY Fred Lee	DATE 2020-08-26	
CUSTOMER ALTW	APPROVED BY Fred Lee	DATE 2020-08-26	