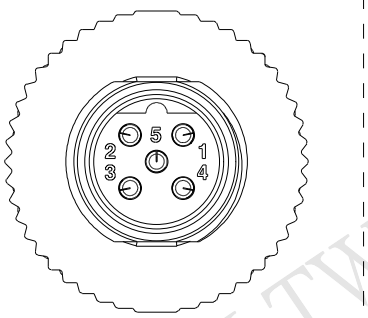
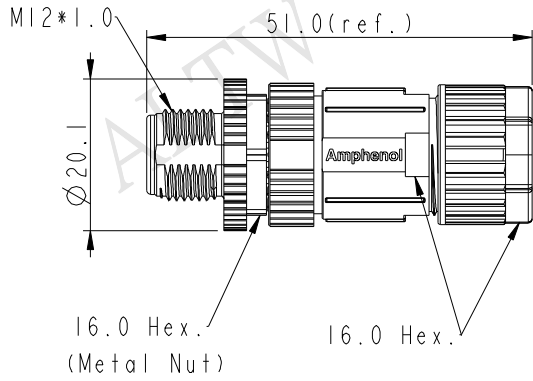
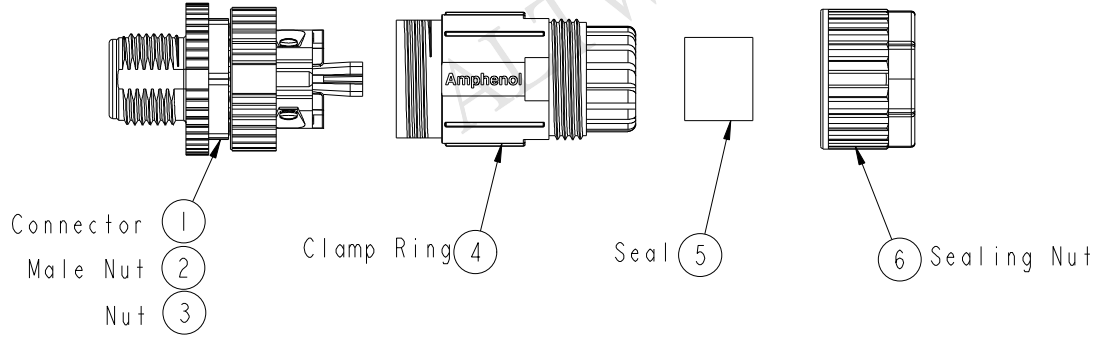


REV.	ECN NO.	DATE	SIGN	DESCRIPTION
A	Initial Release	2015/10/09	Mila	Change Rev. I To Rev.A

ALTW  
CONFIDENTIAL  
2015-10-09  
R&D DEPT.

ALTW  
DCC. DEPT.  
CONFIDENTIAL  
2015.10.28  
ISSUED

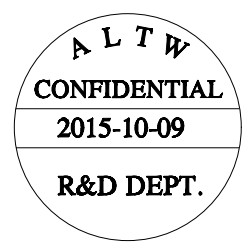
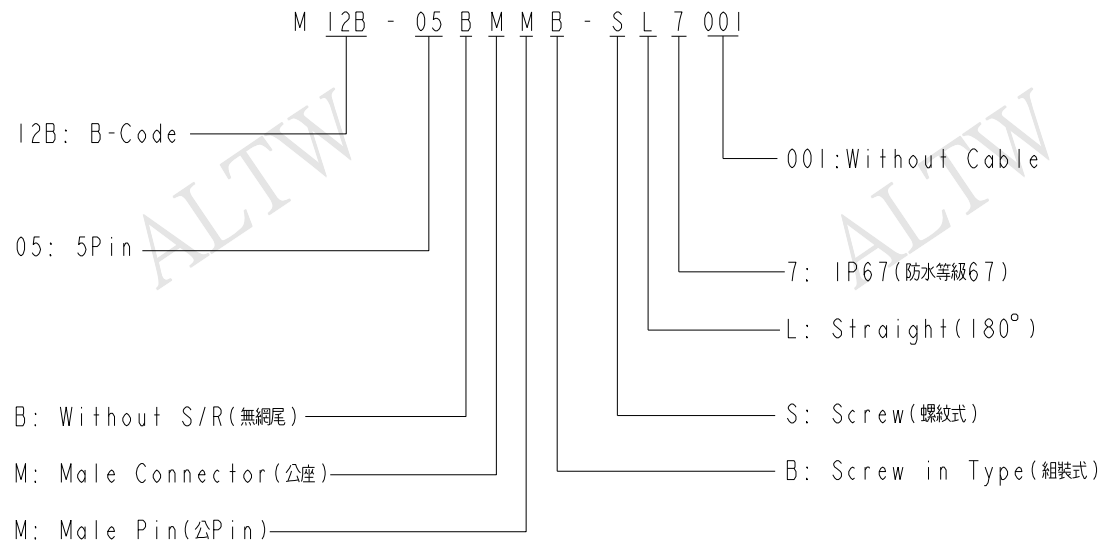
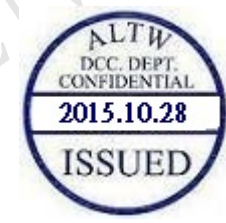


Pin Assignments  
Front View

A	UNIT:mm	TITLE		ITEM NO		DRAWN BY	DATE
	TOLERANCE	M12 B-Code Unshielded Assy 5PIN M Conn M Pin		M12B-05BMMB-SL7001		Mila	2015-10-09
	±0.5mm	SCALE	SIZE	SHEET	DWG NO	CHECKED BY	DATE
		1:1	A4	1 OF 2	M12B-05BMMB-SL7001	Cary	2015-10-09
		REV.	WC-REV.	QC: Inspection item	CUSTOMER	APPROVED BY	DATE
		A	A.2		ALTW	Jerry	2015-10-09

**Amphenol LTW**  
安費諾亮泰企業股份有限公司

THIS DOCUMENT IS SUBJECT TO CHANGE WITHOUT NOTICE. IT IS CONFIDENTIAL AND A PROPERTY OF Amphenol LTW. DISCLOSURE TO THIRD PARTY HAS TO BE AUTHORIZED BY Amphenol LTW.



- Note:
- \*  $\varnothing$  Important Dimension To Check.
  - \* Waterproof Rate: IP67
  - \* Housing: Nylon, Black
  - \* Male Pin: Copper Alloy, Gold Plated
  - \* Male Nut: Zinc Alloy, Nickel Plated
  - \* Nut: PBT+PC, Black
  - \* O-Ring: Silicon, Grey
  - \* Clamp Ring: Nylon, Black
  - \* Sealing Nut: PBT+PC, Black
  - \* Seal: Silicon, Grey
  - \* Seal For Cable OD:  $\varnothing 4.0\text{mm} \sim \varnothing 8.0\text{mm}$
  - \* Screws for Wire connection recommended tightening torque: 0.61~0.84 kgf.cm / 0.059~0.082 N.m
  - \* Applicable Wire gauge (Stranded wire cross section) 0.14mm<sup>2</sup> (26AWG) ~ 0.82mm<sup>2</sup> (18AWG)
  - \* Mating Recommended tightening torque: 3~4 kgf.cm / 0.29~0.39 N.m
  - \* Sealing-Nut Recommended tightening torque: 4~6 kgf.cm / 0.39~0.59 N.m
  - \* Detailed applicable wire specifications may vary depending on the actual wire construction.

UNIT: mm		TITLE		ITEM NO		DRAWN BY		DATE	
		M12 B-Code Unshielded Assy 5PIN M Conn M Pin		M12B-05BMMB-SL7001		Mila		2015-10-09	
		SCALE	SIZE	SHEET	DWG NO	CHECKED BY	DATE		
TOLERANCE		1:1	A4	2 OF 2	M12B-05BMMB-SL7001	Cary	2015-10-09		
±0.5mm		REV.	WC-REV.	QC: Inspection item	CUSTOMER	APPROVED BY	DATE		
		A	A.2		ALTW	Jerry	2015-10-09		
				<b>Amphenol LTW</b> 安費諾亮泰企業股份有限公司					
								8 FMM10702-01-02A1	