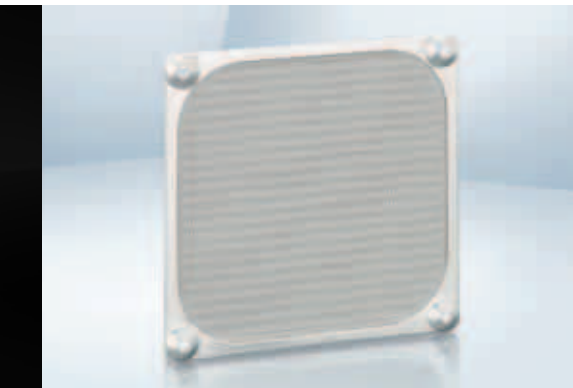
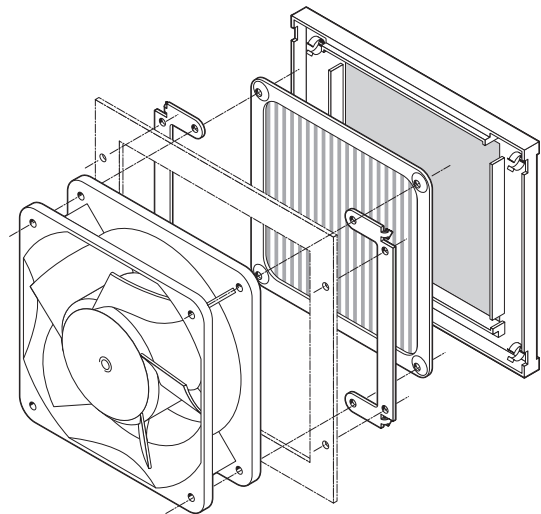


# Fan filter guard grilles



- **Material:** Filter guard LZ40 N: black, fibreglass-reinforced plastic with inserted wire mesh LZ60.  
Filter LZ60: stainless steel wire mesh  
Mounting lug LZ40-1 for mounting

Fan series DC	Fan series AC
4400 F	AC 4300
4400 FN	9900
4300	4000 N
4300 N	4000 Z
4400	Subject to alternations
4200	
4100 N	



LZ40N	Panel	LZ40-1	Mounting lug	LZ60	Coarse filter
-------	-------	--------	--------------	------	---------------

