

Guard grilles



- **Material:** Zinc-plated or nickel-plated steel wire
- **Note:** Safety grille in line with DIN EN ISO 13857 (previously EN 294).
Additional safety grilles that do not meet DIN EN ISO 13857 can be delivered on request.
Our safety grilles are designed specifically for use with ebm-papst fans.
They combine the highest degree of safety with minimum effect on operating noise. Please note that safety-relevant clearances cannot be guaranteed when using safety grilles from other manufacturers.

| Fan series | Guard grilles |
|------------|--------------------------|
| 400 | LZ29-1 |
| 420 J | LZ29-1 |
| 500 | LZ31 |
| 600 | LZ28-1 |
| 3000 | LZ23-1 |
| 8000 | LZ32-4 / LZ22-2 |
| 9000 | LZ30-4 / LZ 30 / LZ 30-3 |
| 4000 | LZ30-4 / LZ 30 / LZ 30-3 |

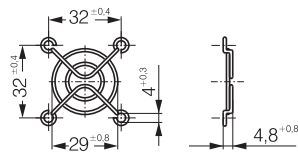
| Fan series | Guard grilles |
|------------|---------------|
| 5100 | LZ25 |
| 5600 | LZ25 |
| 5200 | LZ35 |
| 5300 | LZ53 |
| 5900 | LZ35 |
| 7000 | LZ36 |
| 6300 | LZ37 |
| 6400 | LZ38 |

| Fan series | Guard grilles |
|------------|----------------------------|
| 2200 F | LZ22 |
| DV 4100 | LZ30-4 Intake-/Outlet side |
| DV 5200 | LZ35 Intake-/Outlet side |
| DV 6300 | LZ37 Intake side |
| DV 6300 | LZ52 Outlet side |
| DV 6400 | LZ38 Intake side |
| DV 6400 | LZ39 Outlet side |

Subject to alternations

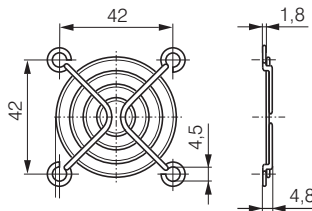
LZ29-1

Fan size 40 x 40



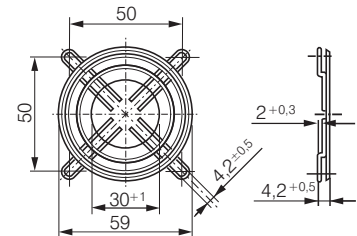
LZ31

Fan size 50 x 50



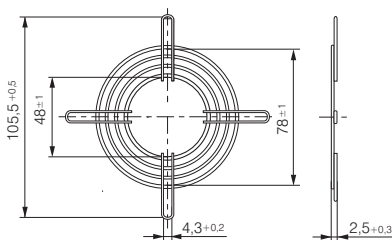
LZ28-1

Fan size 60 x 60



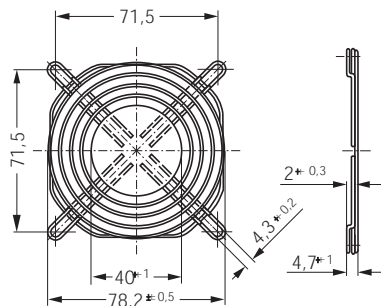
LZ22-2

Fan size 80 x 80



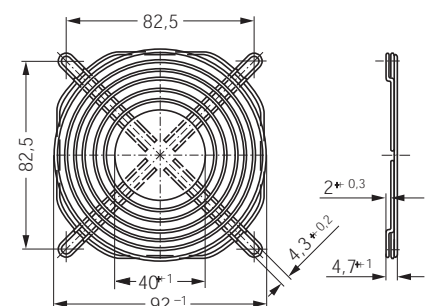
LZ32-4

Fan size 80 x 80

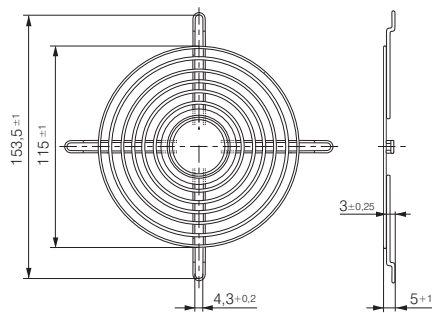


LZ23-1

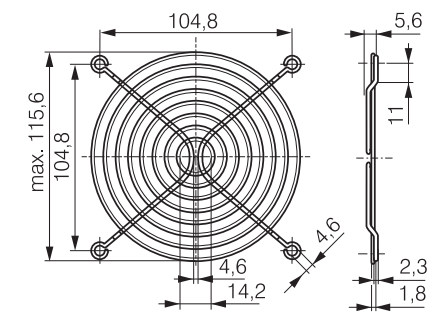
Fan size 92 x 92



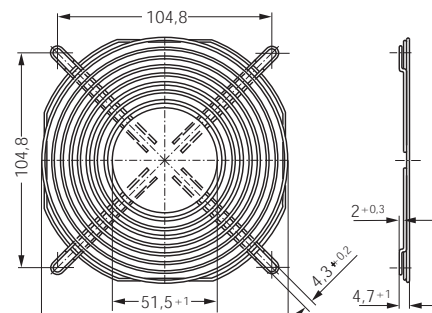
LZ30 Fan size 119 x 119



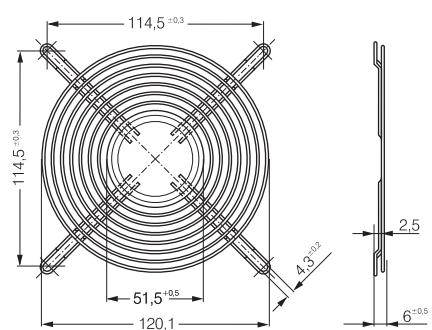
LZ30-3 Fan size 119 x 119



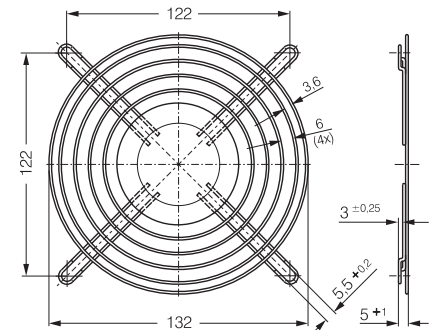
LZ30-4 Fan size 119 x 119



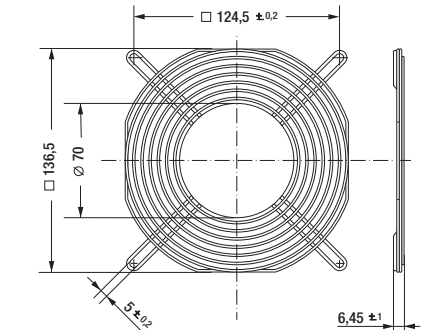
LZ35 Fan size 127 x 127



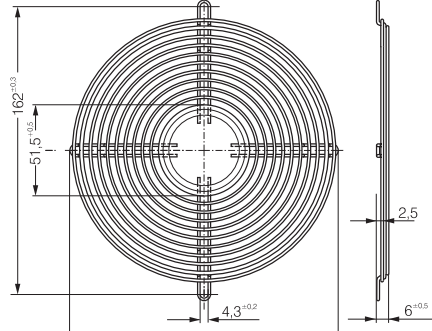
LZ25 Fan size 135 x 135



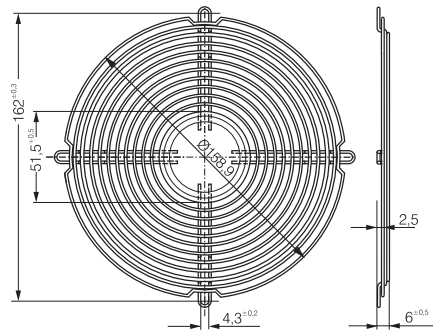
LZ53 Fan size 140 x 140



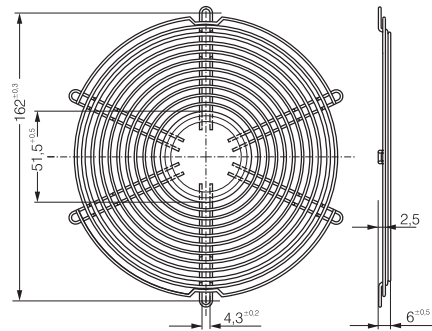
LZ36 Fan size 150 x 172



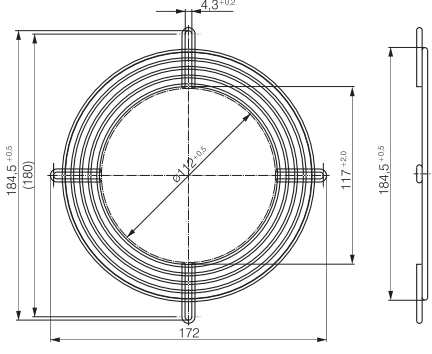
LZ37 Fan size 172 x 51



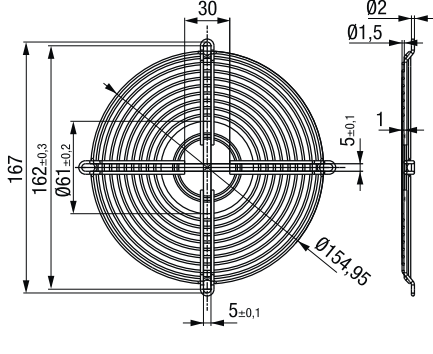
LZ38 Fan size 172 x 51



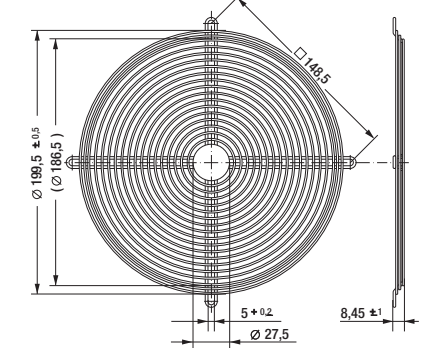
LZ39 Fan size 172 x 51



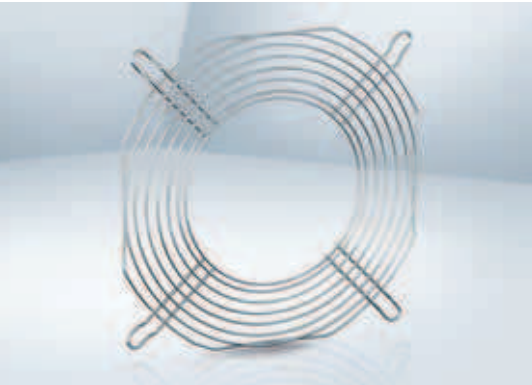
LZ52 Fan size 172 x 51



LZ22 Fan size 200 x 51



Guard grilles



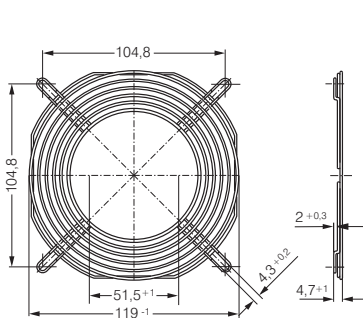
- **Material:** Zinc-plated or nickel-plated steel wire
- **Note:** Safety grille in line with DIN EN ISO 13857 (previously EN 294).
The safety grilles detailed on this page are intended specifically for the ACmaxx / GreenTech EC compact fan ranges and are mounted on the pressure side.

| Fan series | Guard grilles |
|------------|--------------------|
| AC 8300 | LZ32-4 Intake side |
| AC 8300 H | LZ32-7 Outlet side |
| AC 3200 J | LZ23-1 Intake side |
| AC 3200 J | LZ23-6 Outlet side |
| AC 4400 FN | LZ30-4 Intake side |
| AC 4400 FN | LZ30-9 Outlet side |
| AC 4300 | LZ30-4 Intake side |
| AC 4300 | LZ30-9 Outlet side |

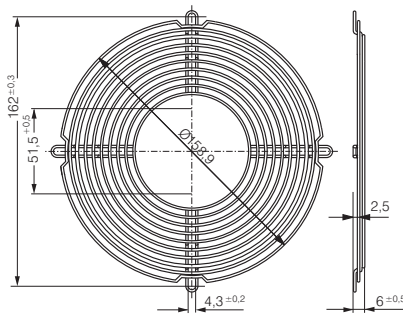
| Fan series | Guard grilles |
|------------|--------------------|
| ACi 4400 | LZ30 Intake side |
| ACi 4400 | LZ30 Outlet side |
| AC 6200 N | LZ37 Intake side |
| AC 6200 N | LZ37-2 Outlet side |
| AC 6100 N | LZ37 Intake side |
| AC 6100 N | * Outlet side |

* Outlet-side grilles on request

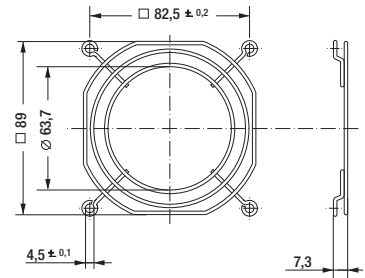
LZ30-9 Fan size 119 X 119



LZ37-2 Fan size Ø 172 X 51



LZ23-6 Fan size 92 x 92



LZ32-7 Fan size 80 x 80

