

# POLYSWITCH RESETTABLE DEVICES

## Line-Voltage-Rated Devices

PolySwitch line-voltage-rated (LVR) devices help protect electric motors and transformers used in commercial and home appliances from damage caused by mechanical overloads, overheating, stall, lost neutral and other potentially harmful conditions.

The LVR line-voltage product line of polymeric positive temperature coefficient (PPTC) devices includes components that are rated for line voltages of 120V<sub>AC</sub> and 240V<sub>AC</sub>, for up to 2A of operating current at 20°C. They help protect against damage caused by both overcurrent surges and overtemperature faults. They also offer low resistance and are compatibly sized with fuse solutions.

Unlike traditional fuses, PolySwitch devices do not require replacement after a fault event. After power has been removed and the overcurrent condition eliminated, the circuit is restored to normal operating condition.

Compared to bimetal breakers, they offer greater flexibility, longer lifespan and lower electromagnetic interference (EMI).

The PolySwitch LVR devices' resettable functionality and latching attributes make them a reliable, cost-effective circuit protection solution for both intermittent- and continuous-operation motor applications. Their low resistance, fast time-to-trip, and low profile help circuit designers provide a safe and dependable product, comply with regulatory agency requirements and reduce warranty repair costs.

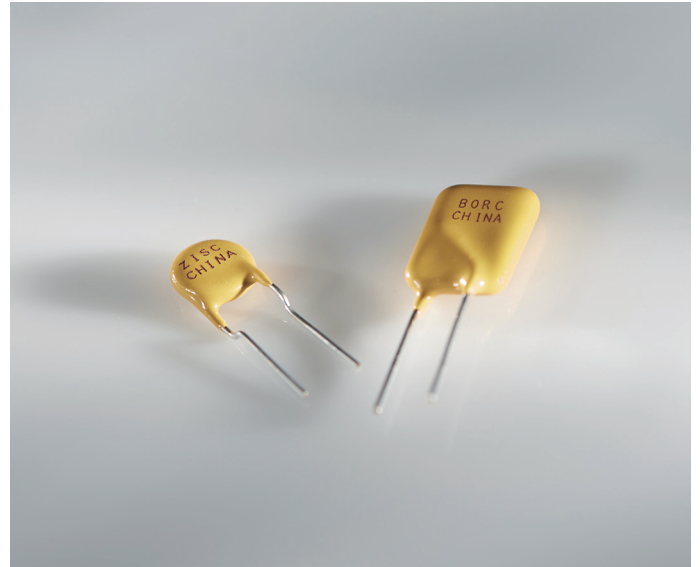
LVR/LVB series are suitable for line-voltage applications up to a continuous operating voltage of 240V<sub>AC</sub>/120V<sub>AC</sub>.

### BENEFITS

- Choice of many devices helps provide engineers with design flexibility
- Compatible with high-volume electronics assembly
- Assist in meeting regulatory requirements
- Higher voltage ratings allow use in new applications

### FEATURES

- RoHS compliant
- Broadest range of radial-leaded resettable devices available in the industry
- Current ratings from 50mA to 2A
- Line voltage rating of 120V<sub>AC</sub> and 240V<sub>AC</sub>
- Agency recognition : UL, CSA, TÜV, CQC
- Fast time-to-trip
- Low resistance



### APPLICATIONS

- Electromagnetic loads
- Game machines
- Industrial controls
- Lighting ballasts
- Loudspeakers
- Medical equipment
- Motors, fans and blowers
- POS equipment
- Satellite video receivers
- Security and fire alarm systems
- Test and measurement equipment
- Transformers
- USB hubs, ports and peripherals
- Intelligent appliance
- Robotic machine

# PolySwitch Resettable Devices

## Line-Voltage-Rated Devices

Table L1 — Product Series - Current Rating, Voltage Rating/Typical Resistance

Voltage Rating	LVR 240V <sub>AC</sub> / 120V <sub>AC</sub>	LVB 240V <sub>AC</sub>
Hold Current (A)		
0.050	25.00Ω	—
0.080	9.800Ω	—
0.120	4.800Ω	—
0.160	3.400Ω	—
0.250	1.700Ω	—
0.330	1.000Ω	—
0.400	0.800Ω	—
0.550	0.590Ω	—
0.750	0.400Ω	—
1.000	0.276Ω	—
1.250	0.209Ω	0.209Ω
1.350	—	—
2.000	0.110Ω	—

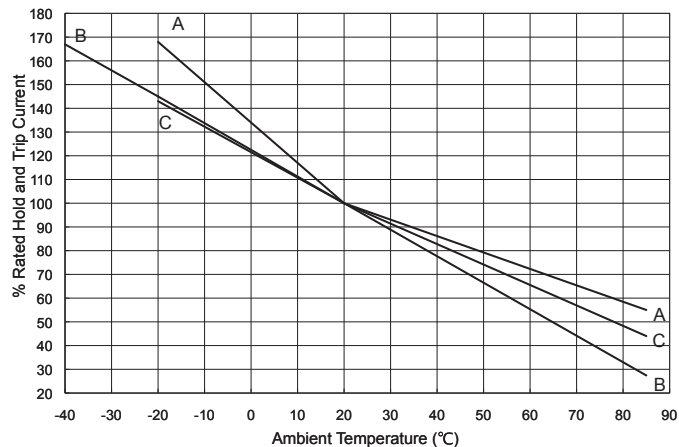
Table L2 — Thermal Derating [Hold Current (A) at Ambient Temperature (°C)]

Part Number	Maximum Ambient Temperature								
	-20°C	0°C	20°C	25°C	40°C	50°C	60°C	70°C	85°C
<b>LVR</b>									
LVR005N	0.08	0.06	0.05	0.05	0.04	0.04	0.03	0.03	0.02
LVR008N	0.12	0.10	0.08	0.08	0.07	0.06	0.05	0.04	0.03
LVR012	0.18	0.15	0.12	0.12	0.10	0.09	0.07	0.06	0.04
LVR016	0.24	0.20	0.16	0.16	0.13	0.11	0.10	0.08	0.05
LVR025	0.38	0.32	0.25	0.25	0.21	0.18	0.15	0.13	0.09
LVR033	0.50	0.42	0.33	0.33	0.27	0.23	0.20	0.17	0.11
LVR040	0.61	0.51	0.40	0.40	0.33	0.28	0.24	0.20	0.14
LVR055	0.80	0.68	0.55	0.54	0.46	0.40	0.35	0.29	0.22
LVR075	1.23	0.98	0.75	0.74	0.60	0.56	0.49	0.45	0.41
LVR100	1.65	1.30	1.00	0.94	0.80	0.75	0.65	0.60	0.55
LVR125	2.06	1.63	1.25	1.20	1.00	0.94	0.81	0.75	0.69
LVR200	3.30	2.60	2.00	1.97	1.60	1.50	1.30	1.20	1.10
LVR075-240	1.23	0.98	0.75	0.74	0.60	0.56	0.49	0.45	0.41
LVR100-240	1.65	1.30	1.00	0.94	0.80	0.75	0.65	0.60	0.55
LVR125-240	2.06	1.63	1.25	1.20	1.00	0.94	0.81	0.75	0.69
LVR200-240	3.30	2.60	2.00	1.97	1.60	1.50	1.30	1.20	1.10

Part Number	Maximum Ambient Temperature									
	-40°C	-20°C	0°C	20°C	25°C	40°C	50°C	60°C	70°C	85°C
<b>LVB</b>										
LVB125	2.09	1.81	1.53	1.25	1.19	0.99	0.86	0.73	0.60	0.41

Figure L1 — Thermal Derating Curve

- A = LVR075-LVR200
- B = LVB125
- C = LVR005N-LVR055



# PolySwitch Resettable Devices

## Line-Voltage-Rated Devices

### Table L3 – Electrical Characteristics\*

Part Number	I <sub>H</sub> (A)	I <sub>T</sub> (A)	V <sub>MAX</sub> <sup>†</sup>		I <sub>MAX</sub> <sup>†</sup> Interrupt (A)	P <sub>D</sub> Typ (W)	Max. Time-to-trip		R <sub>MIN</sub> (Ω)	R <sub>MAX</sub> (Ω)	R <sub>1MAX</sub> (Ω)	Lead Size [mm (AWG)]
			Operating (V <sub>AC</sub> )	Interrupt (V <sub>AC</sub> )			(A)	(s)				
<b>LVR</b>												
LVR005NK	0.05	0.12	240 120	265 135	1.0 20.0	0.9	0.25	10.0	18.500	31.000	65.000	[0.51mm (24)]
LVR005NS	0.05	0.12	240 120	265 135	1.0 20.0	0.9	0.25	10.0	18.500	31.000	65.000	[0.51mm (24)]
LVR008NK	0.08	0.19	240 120	265 135	1.2 20.0	0.9	0.40	10.0	7.400	12.000	26.000	[0.51mm (24)]
LVR008NS	0.08	0.19	240 120	265 135	1.2 20.0	0.9	0.40	10.0	7.400	12.000	26.000	[0.51mm (24)]
LVR012K	0.12	0.30	240 120	265 135	1.2 20.0	1.0	0.60	15.0	3.000	6.500	12.000	[0.51mm (24)]
LVR012S	0.12	0.30	240 120	265 135	1.2 20.0	1.0	0.60	15.0	3.000	6.500	12.000	[0.51mm (24)]
LVR016K	0.16	0.37	240 120	265 135	2.0 20.0	1.4	0.80	15.0	2.500	4.100	7.800	[0.51mm (24)]
LVR016S	0.16	0.37	240 120	265 135	2.0 20.0	1.4	0.80	15.0	2.500	4.100	7.800	[0.51mm (24)]
LVR025K	0.25	0.56	240 120	265 135	3.5 20.0	1.5	1.25	18.5	1.300	2.100	3.800	[0.64mm (22)]
LVR025S	0.25	0.56	240 120	265 135	3.5 20.0	1.5	1.25	18.5	1.300	2.100	3.800	[0.64mm (22)]
LVR033K	0.33	0.74	240 120	265 135	4.5 20.0	1.7	1.65	21.0	0.770	1.240	2.600	[0.64mm (22)]
LVR033S	0.33	0.74	240 120	265 135	4.5 20.0	1.7	1.65	21.0	0.770	1.240	2.600	[0.64mm (22)]
LVR040K	0.40	0.90	240 120	265 135	5.5 20.0	2.0	2.00	24.0	0.600	0.970	1.900	[0.64mm (22)]
LVR040S	0.40	0.90	240 120	265 135	5.5 20.0	2.0	2.00	24.0	0.600	0.970	1.900	[0.64mm (22)]
LVR055K	0.55	1.25	240 120	265 135	7.0 20.0	3.4	2.75	26.0	0.450	0.730	1.450	[0.81mm (20)]
LVR055S	0.55	1.25	240 120	265 135	7.0 20.0	3.4	2.75	26.0	0.450	0.730	1.450	[0.81mm (20)]
LVR075S	0.75	1.50	240	265	7.5	2.6	3.75	18.0	0.316	0.483	0.839	[0.81mm (20)]
LVR100S	1.00	2.00	240	265	10.0	2.9	5.00	21.0	0.218	0.334	0.580	[0.81mm (20)]
LVR125S	1.25	2.50	240	265	12.5	3.3	6.25	23.0	0.165	0.253	0.440	[0.81mm (20)]
LVR200S	2.00	4.00	240	265	20.0	4.5	10.00	28.0	0.089	0.131	0.221	[0.81mm (20)]
LVR075S-240	0.75	1.50	240	265	7.5	2.6	3.75	18.0	0.316	0.483	0.839	[0.81mm (20)]
LVR100S-240	1.00	2.00	240	265	10.0	2.9	5.00	21.0	0.218	0.334	0.580	[0.81mm (20)]
LVR125S-240	1.25	2.50	240	265	12.5	3.3	6.25	23.0	0.165	0.253	0.440	[0.81mm (20)]
LVR200S-240	2.00	4.00	240	265	20.0	4.5	10.00	28.0	0.089	0.131	0.221	[0.81mm (20)]
LVR075K-240	0.75	1.50	240	265	7.5	2.6	3.75	18.0	0.316	0.483	0.839	[0.81mm (20)]
LVR100K-240	1.00	2.00	240	265	10.0	2.9	5.00	21.0	0.218	0.334	0.580	[0.81mm (20)]
LVR125K-240	1.25	2.50	240	265	12.5	3.3	6.25	23.0	0.165	0.253	0.440	[0.81mm (20)]
LVR200K-240	2.00	4.00	240	265	20.0	4.5	10.00	28.0	0.089	0.131	0.221	[0.81mm (20)]
<b>LVB</b>												
LVB125	1.25	2.50	240	265	12.5	4.0	8.00	5.0	0.152	0.292	0.482	[0.81mm (20)]

**Notes:**

- I<sub>H</sub> : Hold current: maximum current device will pass without interruption in 20°C still air.
- I<sub>T</sub> : Trip current: minimum current that will switch the device from low resistance to high resistance in 20°C still air.
- V<sub>MAX</sub> Operating: Maximum continuous voltage device can withstand without damage at rated current.
- V<sub>MAX</sub> Interrupt : Under specified conditions this is the highest voltage that can be applied to the device at the maximum interrupt current.
- I<sub>MAX</sub> Interrupt : Maximum fault current device can withstand without damage at rated voltage.
- P<sub>D</sub> : Power dissipated from device when in the tripped state in 20°C still air.
- R<sub>MIN</sub> : Minimum resistance of device as supplied at 20°C unless otherwise specified.
- R<sub>MAX</sub> : Maximum resistance of device as supplied at 20°C unless otherwise specified.
- R<sub>1MAX</sub> : Maximum resistance of device when measured one hour post trip at 20°C unless otherwise specified.

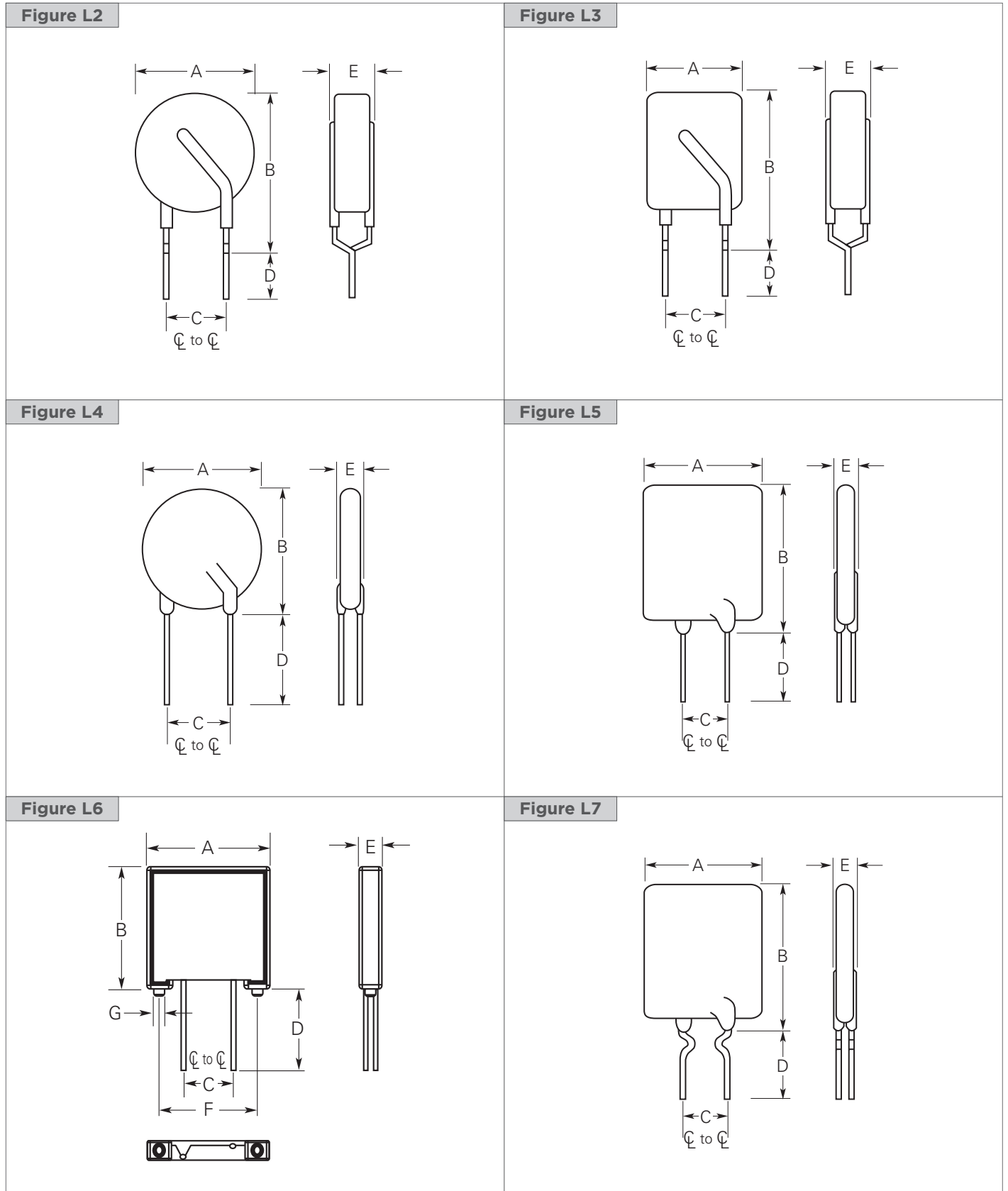
\* Electrical characteristics determined at 20°C.

† See Application Limitations on next page.

# PolySwitch Resettable Devices

## Line-Voltage-Rated Devices

### Figures L2-L7 – Dimension Figures



# PolySwitch Resettable Devices

## Line-Voltage-Rated Devices

### Table L4 – Dimensions and Weights - Millimeters (Inches)

Part Number	A		B		C		D		E		Figure	Device Mass(g) (Only for Reference)				
	Min	Max	Min	Max	Min	Max	Min	Max	Min	Max						
<b>LVR</b>																
LVR005NK	—	6.9 (0.27)	—	12.1 (0.48)	4.3 (0.17)	5.8 (0.23)	7.6 (0.30)	—	—	4.6 (0.18)	L2	0.177				
LVR005NS	—	6.9 (0.27)	—	9.9 (0.39)	4.3 (0.17)	5.8 (0.23)	7.6 (0.30)	—	—	4.6 (0.18)	L4	0.211				
LVR008NK	—	7.2 (0.28)	—	12.4 (0.49)	4.3 (0.17)	5.8 (0.23)	7.6 (0.30)	—	—	4.6 (0.18)	L2	0.233				
LVR008NS	—	7.2 (0.28)	—	10.2 (0.40)	4.3 (0.17)	5.8 (0.23)	7.6 (0.30)	—	—	4.6 (0.18)	L4	0.211				
LVR012K	—	8.3 (0.33)	—	12.9 (0.51)	4.3 (0.17)	5.8 (0.23)	7.6 (0.30)	—	—	3.8 (0.15)	L2	0.231				
LVR012S	—	8.3 (0.33)	—	10.7 (0.43)	4.3 (0.17)	5.8 (0.23)	7.6 (0.30)	—	—	3.8 (0.15)	L4	0.235				
LVR016K	—	9.9 (0.39)	—	13.8 (0.54)	4.3 (0.17)	5.8 (0.23)	7.6 (0.30)	—	—	3.8 (0.15)	L2	0.253				
LVR016S	—	9.9 (0.39)	—	12.5 (0.50)	4.3 (0.17)	5.8 (0.23)	7.6 (0.30)	—	—	3.8 (0.15)	L4	0.291				
LVR025K	—	9.6 (0.38)	—	18.8 (0.74)	4.3 (0.17)	5.8 (0.23)	7.6 (0.30)	—	—	3.8 (0.15)	L3	0.508				
LVR025S	—	9.6 (0.38)	—	17.4 (0.69)	4.3 (0.17)	5.8 (0.23)	7.6 (0.30)	—	—	3.8 (0.15)	L5	0.472				
LVR033K	—	11.4 (0.45)	—	19.0 (0.75)	4.3 (0.17)	5.8 (0.23)	7.6 (0.30)	—	—	3.8 (0.15)	L3	0.628				
LVR033S	—	11.4 (0.45)	—	16.5 (0.65)	4.3 (0.17)	5.8 (0.23)	7.6 (0.30)	—	—	3.8 (0.15)	L5	0.600				
LVR040K	—	11.5 (0.46)	—	20.9 (0.82)	4.3 (0.17)	5.8 (0.23)	7.6 (0.30)	—	—	3.8 (0.15)	L3	0.698				
LVR040S	—	11.5 (0.46)	—	19.5 (0.77)	4.3 (0.17)	5.8 (0.23)	7.6 (0.30)	—	—	3.8 (0.15)	L5	0.688				
LVR055K	—	14.0 (0.55)	—	22.4 (0.88)	4.3 (0.17)	5.8 (0.23)	7.6 (0.30)	—	—	4.1 (0.16)	L3	1.100				
LVR055S	—	14.0 (0.55)	—	21.7 (0.85)	4.3 (0.17)	5.8 (0.23)	7.6 (0.30)	—	—	4.1 (0.16)	L5	1.060				
LVR075S	—	11.5 (0.45)	—	23.4 (0.92)	4.1 (0.16)	6.1 (0.24)	5.1 (0.20)	—	—	4.8 (0.19)	L5	1.088				
LVR100S	—	18.7 (0.74)	—	24.4 (0.96)	8.9 (0.35)	11.4 (0.45)	5.1 (0.20)	—	—	5.1 (0.20)	L4	1.345				
LVR125S	—	21.2 (0.84)	—	27.4 (1.08)	8.9 (0.35)	11.4 (0.45)	5.1 (0.20)	—	—	5.3 (0.21)	L4	1.800				
LVR200S	—	24.9 (0.98)	—	33.8 (1.33)	8.9 (0.35)	11.4 (0.45)	5.1 (0.20)	—	—	6.1 (0.24)	L5	2.777				
LVR075S-240	—	11.5 (0.45)	—	23.4 (0.92)	4.1 (0.16)	6.1 (0.24)	5.1 (0.20)	—	—	4.8 (0.19)	L5	1.088				
LVR100S-240	—	18.7 (0.74)	—	24.4 (0.96)	8.9 (0.35)	11.4 (0.45)	5.1 (0.20)	—	—	5.1 (0.20)	L4	1.345				
LVR125S-240	—	21.2 (0.84)	—	27.4 (1.08)	8.9 (0.35)	11.4 (0.45)	5.1 (0.20)	—	—	5.3 (0.21)	L4	1.800				
LVR200S-240	—	24.9 (0.98)	—	33.8 (1.33)	8.9 (0.35)	11.4 (0.45)	5.1 (0.20)	—	—	6.1 (0.24)	L5	2.777				
LVR075K-240	—	11.5 (0.45)	—	25.4 (1.00)	4.1 (0.16)	6.1 (0.24)	7.6 (0.30)	—	—	4.1 (0.16)	L3	1.088				
LVR100K-240	—	18.7 (0.74)	—	28.8 (1.13)	8.9 (0.35)	11.4 (0.45)	7.6 (0.30)	—	—	4.1 (0.16)	L2	1.345				
LVR125K-240	—	21.2 (0.84)	—	31.8 (1.25)	8.9 (0.35)	11.4 (0.45)	7.6 (0.30)	—	—	4.1 (0.16)	L2	1.800				
LVR200K-240	—	24.9 (0.98)	—	34.80 (1.37)	8.9 (0.35)	11.4 (0.45)	7.6 (0.30)	—	—	4.1 (0.16)	L7	2.777				
<b>LVB</b>																
LVB125	24.8 (0.98)	25.2 (0.999)	26.8 (1.06)	27.2 (1.07)	8.9 (0.35)	11.4 (0.45)	5.1 (0.20)	—	4.2 (0.17)	4.6 (0.18)	20.0 (0.79)	20.3 (0.80)	—	2.5 (0.80)	L6	1.653

# PolySwitch Resettable Devices

## Line-Voltage-Rated Devices

Figure L8 — Typical Time-to-Trip Curves at 20°C

### LVR/LVB

- A = LVR005N
- B = LVR008N
- C = LVR012
- D = LVR016
- E = LVR025
- F = LVR033
- G = LVR040
- H = LVR055
- I = LVR075/LVR075-240
- J = LVR100/LVR100-240
- K = LVR125/LVR125-240
- L = LVB125
- M = LVR200/LVR200-240

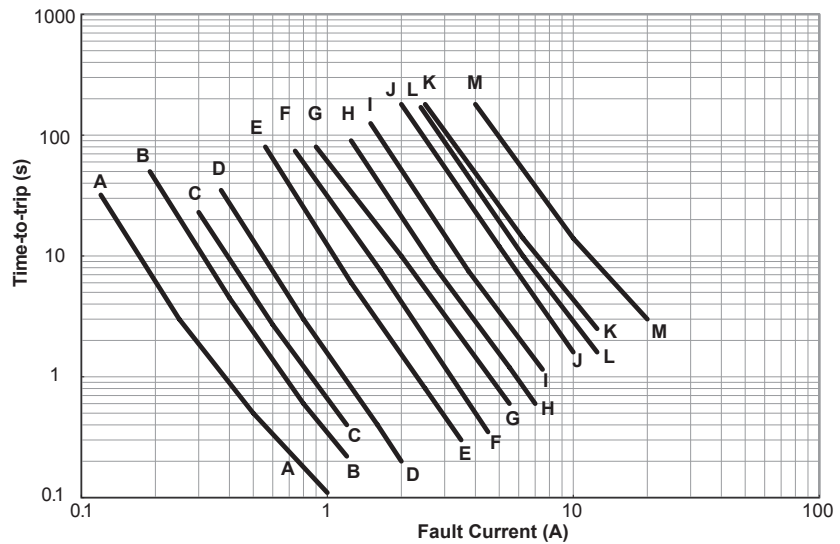


Table L5 — Physical Characteristics and Environmental Specifications

LVR/LVB		
Physical Characteristics		
Lead Material	LVR005N to LVR016	: Tin-plated Copper, (24AWG), $\phi$ 0.51mm (0.020in)
	LVR025 to LVR040	: Tin-plated Copper, (22AWG), $\phi$ 0.64mm (0.025in)
	LVR055 to LVR200	: Tin-plated Copper, (20AWG), $\phi$ 0.81mm (0.032in)
	LVR075-240 to LVR200-240	: Tin-plated Copper, (20AWG), $\phi$ 0.81mm (0.032in)
	LVB125	: Tin-plated Copper, (20AWG), $\phi$ 0.81mm (0.032in)
Soldering Characteristics	Solderability per ANSI/J-STD-002 Category 3	
Solder Heat Withstand	Per IEC-STD 68-2-20, Test Tb, Method 1A, Condition B, Can Withstand 10 s at 260°C $\pm$ 5°C	
Insulating Material	LVR005N to LVR055	: Cured, Flame-retardant Epoxy Polymer, Meets UL 94V-0
	LVR075 to LVR200	: Cured, Flame-retardant Modified Silicone, Meets UL 94V-0
	LVR075-240 to LVR200-240	: Cured, Flame-retardant Epoxy Polymer, Meets UL 94V-0
	LVB125	: Glass Reinforced PBT, Meets UL 94V-0

**Note:** Devices are not intended to be placed through a reflow process.

Environmental Specifications		
Test	Conditions	Resistance Change
Passive Aging	70°C, 1000 hrs	$\pm$ 10%
	85°C, 1000 hrs	$\pm$ 10%
Humidity Aging	85°C, 85% RH, 1000 hrs	$\pm$ 20%
Thermal Shock	85°C, -40°C (10 Times)	$\pm$ 15%
Solvent Resistance	MIL-STD-202, Method 215F	No Change

## Agency Recognitions

UL	File # E74889
CSA	File # CA78165
TÜV	Certificate Number Available on Request (per IEC 60730-1).

# PolySwitch Resettable Devices

## Line-Voltage-Rated Devices

### Table L6 – Packaging and Marking Information

Part Number	Bag Quantity	Tape and Reel Quantity	Ammo Pack Quantity	Standard Package Quantity	Part Marking	Agency Recognition
<b>LVR/LVB</b>						
LVR005NK	500	—	—	10,000	L005	UL, CSA, TÜV, CQC
LVR005NK-2	—	1,500	—	7,500	L005	UL, CSA, TÜV, CQC
LVR005NS	500	—	—	10,000	L005	UL, CSA, TÜV, CQC
LVR005NS-2	—	1,500	—	7,500	L005	UL, CSA, TÜV, CQC
LVR008NK	500	—	—	10,000	L008	UL, CSA, TÜV, CQC
LVR008NK-2	—	1,500	—	7,500	L008	UL, CSA, TÜV, CQC
LVR008NS	500	—	—	10,000	L008	UL, CSA, TÜV, CQC
LVR008NS-2	—	1,500	—	7,500	L008	UL, CSA, TÜV, CQC
LVR012K	500	—	—	10,000	L012	UL, CSA, TÜV, CQC
LVR012K-2	—	2,000	—	10,000	L012	UL, CSA, TÜV, CQC
LVR012S	500	—	—	10,000	L012	UL, CSA, TÜV, CQC
LVR012S-2	—	2,000	—	10,000	L012	UL, CSA, TÜV, CQC
LVR016K	500	—	—	10,000	L016	UL, CSA, TÜV, CQC
LVR016K-2	—	2,000	—	10,000	L016	UL, CSA, TÜV, CQC
LVR016S	500	—	—	10,000	L016	UL, CSA, TÜV, CQC
LVR016S-2	—	2,000	—	10,000	L016	UL, CSA, TÜV, CQC
LVR025K	500	—	—	10,000	L025	UL, CSA, TÜV, CQC
LVR025K-2	—	2,000	—	10,000	L025	UL, CSA, TÜV, CQC
LVR025S	500	—	—	10,000	L025	UL, CSA, TÜV, CQC
LVR025S-2	—	2,000	—	10,000	L025	UL, CSA, TÜV, CQC
LVR033K	500	—	—	10,000	L033	UL, CSA, TÜV, CQC
LVR033K-2	—	2,000	—	10,000	L033	UL, CSA, TÜV, CQC
LVR033S	500	—	—	10,000	L033	UL, CSA, TÜV, CQC
LVR033S-2	—	2,000	—	10,000	L033	UL, CSA, TÜV, CQC
LVR040K	500	—	—	10,000	L040	UL, CSA, TÜV, CQC
LVR040K-2	—	2,000	—	10,000	L040	UL, CSA, TÜV, CQC
LVR040S	500	—	—	10,000	L040	UL, CSA, TÜV, CQC
LVR040S-2	—	2,000	—	10,000	L040	UL, CSA, TÜV, CQC
LVR055K	500	—	—	10,000	L055	UL, CSA, TÜV, CQC
LVR055S	500	—	—	10,000	L055	UL, CSA, TÜV, CQC
LVR055S-2	—	1,000	—	5,000	L055	UL, CSA, TÜV, CQC
LVR075S	500	—	—	10,000	L075	UL, CSA, TÜV, CQC
LVR100S	250	—	—	5,000	L100	UL, CSA, TÜV, CQC
LVR125S	250	—	—	5,000	L125	UL, CSA, TÜV, CQC
LVR200S	250	—	—	5,000	L200	UL, CSA, TÜV, CQC
LVR075S-240	500	—	—	10,000	L075	UL, CSA, TÜV, CQC
LVR075S-240-2	—	1,000	—	5,000	L075	UL, CSA, TÜV, CQC
LVR075S-240-AP	—	—	1,000	5,000	L075	UL, CSA, TÜV, CQC
LVR100S-240	250	—	—	5,000	L100	UL, CSA, TÜV, CQC
LVR100S-240-2	—	1,000	—	5,000	L100	UL, CSA, TÜV, CQC
LVR100S-240-AP	—	—	1,000	5,000	L100	UL, CSA, TÜV, CQC
LVR125S-240	250	—	—	5,000	L125	UL, CSA, TÜV, CQC
LVR125S-240-2	—	1,000	—	5,000	L125	UL, CSA, TÜV, CQC
LVR125S-240-AP	—	—	1,000	5,000	L125	UL, CSA, TÜV, CQC
LVR200S-240	250	—	—	5,000	L200	UL, CSA, TÜV, CQC
LVR200S-240-2	—	1,000	—	5,000	L200	UL, CSA, TÜV, CQC
LVR200S-240-AP	—	—	1,000	5,000	L200	UL, CSA, TÜV, CQC
LVR075K-240	500	—	—	10,000	L075	UL, CSA, TÜV, CQC
LVR075K-240-2	—	1,000	—	5,000	L075	UL, CSA, TÜV, CQC
LVR075K-240-AP	—	—	1,000	5,000	L075	UL, CSA, TÜV, CQC
LVR100K-240	250	—	—	5,000	L100	UL, CSA, TÜV, CQC
LVR100K-240-2	—	1,000	—	5,000	L100	UL, CSA, TÜV, CQC
LVR100K-240-AP	—	—	1,000	5,000	L100	UL, CSA, TÜV, CQC
LVR125K-240	250	—	—	5,000	L125	UL, CSA, TÜV, CQC
LVR125K-240-2	—	1,000	—	5,000	L125	UL, CSA, TÜV, CQC
LVR125K-240-AP	—	—	1,000	5,000	L125	UL, CSA, TÜV, CQC
LVR200K-240	250	—	—	5,000	L200	UL, CSA, TÜV, CQC
LVR200K-240-2	—	1,000	—	5,000	L200	UL, CSA, TÜV, CQC
LVR200K-240-AP	—	—	1,000	5,000	L200	UL, CSA, TÜV, CQC
LVB125	250	—	—	5,000	B125	UL

# PolySwitch Resettable Devices

## Line-Voltage-Rated Devices

### Table L7 — Tape and Reel Specifications

LVR devices are available in tape and reel packaging per EIA468-B/IEC60286-2 standards.

Description	EIA Mark	Dimension (mm)	Tolerance
Carrier Tape Width	W	18	-0.5/+1.0
Hold-down Tape Width	W <sub>4</sub>	11	Minimum
Top Distance between Tape Edges	W <sub>6</sub>	3	Maximum
Sprocket Hole Position	W <sub>5</sub>	9	-0.5/+0.75
Sprocket Hole Diameter	D <sub>0</sub>	4	± 0.2
Abscissa to Plane (Straight Lead) (LVR005N to LVR200)	H	18.5	± 2.5
Abscissa to Plane (Kinked Lead) (LVR005N to LVR055)	H <sub>0</sub>	16.0	± 0.5
Abscissa to Top (LVR005N to LVR016)	H <sub>1</sub>	32.2	Maximum
Abscissa to Top* (LVR025 to LVR200)	H <sub>1</sub>	45.0	Maximum
Overall Width with Lead Protrusion (LVR005N to LVR016)	C <sub>1</sub>	43.2	Maximum
Overall Width with Lead Protrusion (LVR025 to LVR200)	C <sub>1</sub>	56.0	Maximum
Overall Width without Lead Protrusion (LVR005N to LVR016)	C <sub>2</sub>	42.5	Maximum
Overall Width without Lead Protrusion (LVR025 to LVR200)	C <sub>2</sub>	56.0	Maximum
Lead Protrusion	L <sub>1</sub>	1.0	Maximum
Protrusion of Cut-out	L	11.0	Maximum
Protrusion beyond Hold-down Tape	l <sub>2</sub>	Not Specified	—
Sprocket Hole Pitch	P <sub>0</sub>	12.7	± 0.3
Device Pitch (LVR005N to LVR040)	—	12.7	± 0.3
Device Pitch (LVR055 to LVR200)	—	25.4	± 0.6
Pitch Tolerance	—	20 Consecutive	± 1
Tape Thickness	t	0.9	Maximum
Overall Tape and Lead Thickness (LVR005N to LVR040)	t <sub>1</sub>	1.5	Maximum
Overall Tape and Lead Thickness (LVR055 to LVR200)	t <sub>1</sub>	2.3	Maximum
Splice Sprocket Hole Alignment	—	0	± 0.3
Body Lateral Deviation	Dh	0	± 1.0
Body Tape Plane Deviation	Dp	0	± 1.3
Ordinate to Adjacent Component Lead	P <sub>1</sub>	3.81	± 0.7
Lead Spacing*	F	5.08	+0.75/-0.5
Reel Width (LVR005N to LVR040)	W <sub>2</sub>	56.0	Maximum
Reel Width* (LVR055 to LVR200)	W <sub>2</sub>	63.5	Maximum
Reel Diameter	a	370.0	Maximum
Space between Flanges* (LVR005N to LVR040)	W <sub>1</sub>	48.0	Maximum
Space between Flanges* (LVR055 to LVR200)	W <sub>1</sub>	55.0	Maximum
Arbor Hold Diameter	c	26.0	± 12.0
Core Diameter*	n	91.0	Maximum
Box	—	64/372/362	Maximum
Consecutive Missing Places	—	None	—
Empty Places per Reel	—	0.1%	Maximum

\*Differs from EIA specification.



# PolySwitch Resettable Devices

## Line-Voltage-Rated Devices

Figure L9 – EIA Referenced Taped Component Dimensions

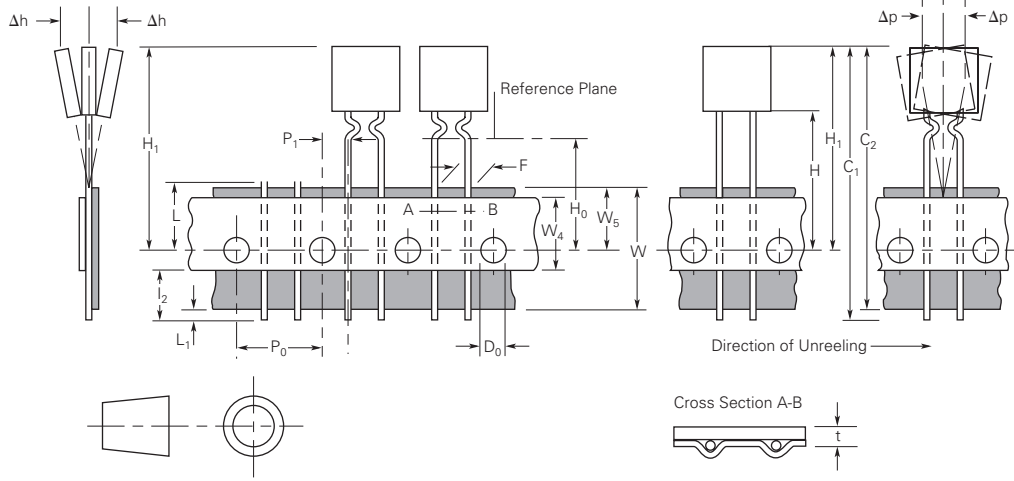
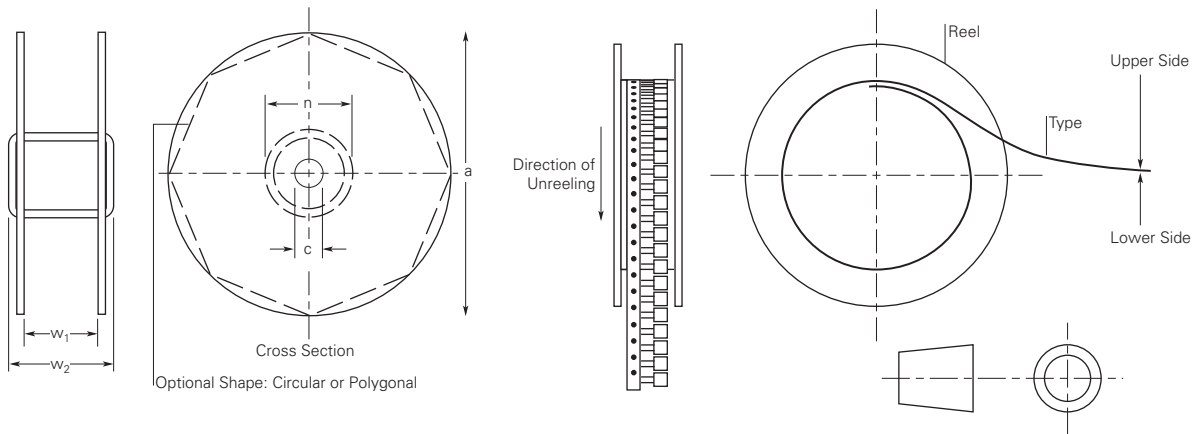


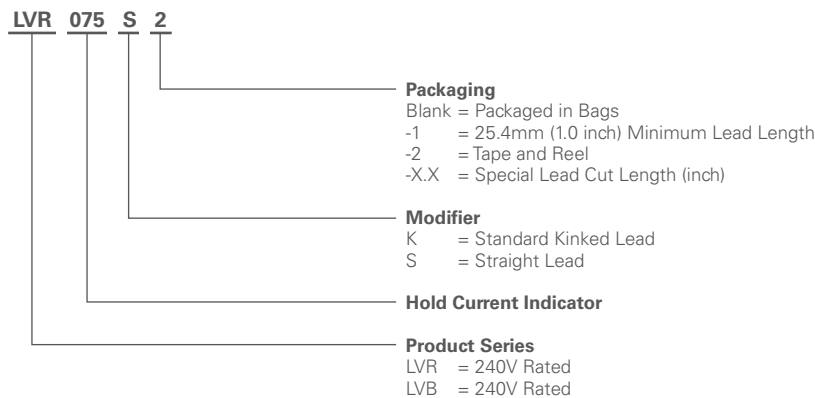
Figure L10 – EIA Referenced Reel Dimensions



# PolySwitch Resettable Devices

## Line-Voltage-Rated Devices

### Part Numbering System



### Warning : Application Limitations for the LVR Product Line

- Users should independently evaluate the suitability of and test each product selected for their own application.
  - This product should not be used in an application where the maximum interrupt voltage or maximum interrupt current can be exceeded in a fault condition. Operation beyond the maximum ratings or improper use may result in device damage and possible electrical arcing and flame.
  - A PPTC device is not a fuse - it is a nonlinear thermistor that limits current. Under a fault condition all PPTC devices go into a high-resistance state but do not open circuit, so hazardous voltage may be present at PPTC locations.
  - The devices are intended for protection against damage caused by occasional overcurrent or overtemperature fault conditions and should not be used when repeated fault conditions or prolonged trip events are anticipated.
  - In most applications power must be removed and the fault condition cleared in order to reset a PPTC device; however under certain unusual conditions, a PPTC device may automatically reset. PPTC devices should not be used in an application where an automatic reset could create a safety hazard, such as garbage disposals and blenders. Appropriate qualification testing should be performed.
  - It is the responsibility of the user to determine the need for back-up or failsafe protection to prevent damage that may occur in the event of abnormal function or failure of the PPTC device.
  - Operation in circuits with a large inductance can generate a circuit voltage ( $Ldi/dt$ ) above the rated voltage of a PPTC device. This product should not be used in an application where the maximum interrupt voltage or maximum interrupt current can be exceeded by inductive spikes.
  - Devices are not recommended for reflow soldering.
  - Device performance can be impacted negatively if devices are handled in a manner inconsistent with recommended electronic, thermal, or mechanical procedures for electronic components.
  - \*PPTC devices are not recommended for installation in applications where the device is constrained such that its PTC properties are inhibited, for example in rigid potting materials or in rigid housings, which lack adequate clearance to accommodate device expansion.
  - \*Contamination of the PPTC material with certain silicone-based oils or some aggressive solvents can adversely impact the performance of the devices.
- \*Does not apply for LVB devices.

### Notice:

Information furnished is believed to be accurate and reliable. However, users should independently evaluate the suitability of and test each product selected for their own applications. Littelfuse products are not designed for, and shall not be used for, any purpose (including, without limitation, military, aerospace, medical, life-saving, life-sustaining or nuclear facility applications, devices intended for surgical implant into the body, or any other application in which the failure or lack of desired operation of the product may result in personal injury, death, or property damage) other than those expressly set forth in applicable Littelfuse product documentation. Warranties granted by Littelfuse shall be deemed void for products used for any purpose not expressly set forth in applicable Littelfuse documentation. Littelfuse shall not be liable for any claims or damages arising out of products used in applications not expressly intended by Littelfuse as set forth in applicable Littelfuse documentation. The sale and use of Littelfuse products is subject to Littelfuse Terms and Conditions of Sale, unless otherwise agreed by Littelfuse.