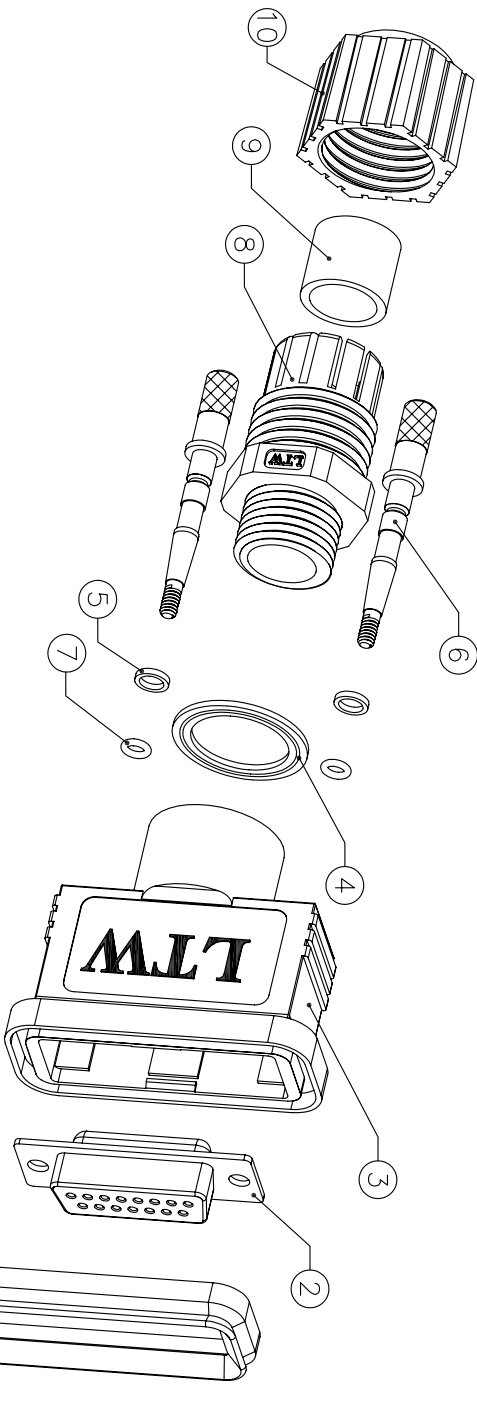
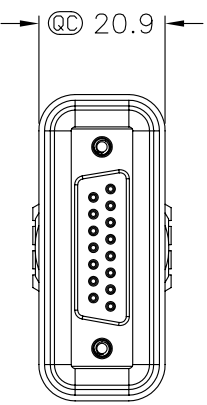
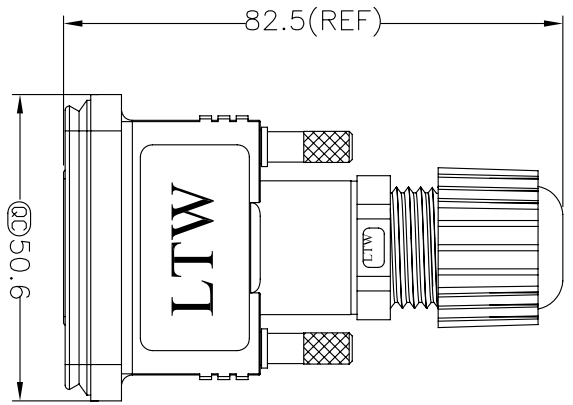


REV.	EQN. NO.	DATE	SIGN	DESCRIPTION



Note:

1. Materials

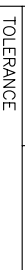
- ① Gasket : EPDM
 - ② Connector : D-SUB 15Pin, Pin: Brass,Gold Flash
 - ③ Housing : ABS,UL94V-0
 - ④ ⑤ Gasket : EPDM
 - ⑥ Screw : Brass,Nickel Plated
 - ⑦ O-Ring : Silicone
 - ⑧ Body : Nylon
 - ⑨ Seals : EPDM
 - ⑩ Sealing Nut : Nylon
2. Seals for Cable OD:ø6.0mm~ø10.0mm
3. @@ Important Dimension.

Warning! Drawings & Specifications Are Subject To Change Without Notification

LTWSDB-15BFFA-SL7001	LTWSDB-15BMMA-SL7001
Pin1 Pin9	Pin9 Pin1
Pin8 Pin15	Pin15 Pin8

Pin Assignments Front View

UNIT : mm



TOLERANCE ±0.5mm

TITLE D-SUB 15Pin Assembly Type

SCALE	Free	SHEET	1	of	1
REV.	A	SIZE	A4	@@	Inspection Item

LTTW

亮泰企业股份有限公司

ITEM NO	DRAWN BY	DATE
DWG NO	Ju Xiao Fang	2004/07/27
CUSTOMER	CHECKED BY	DATE
LTWSDB-15BXXA-SL7001	APPROVED BY	DATE