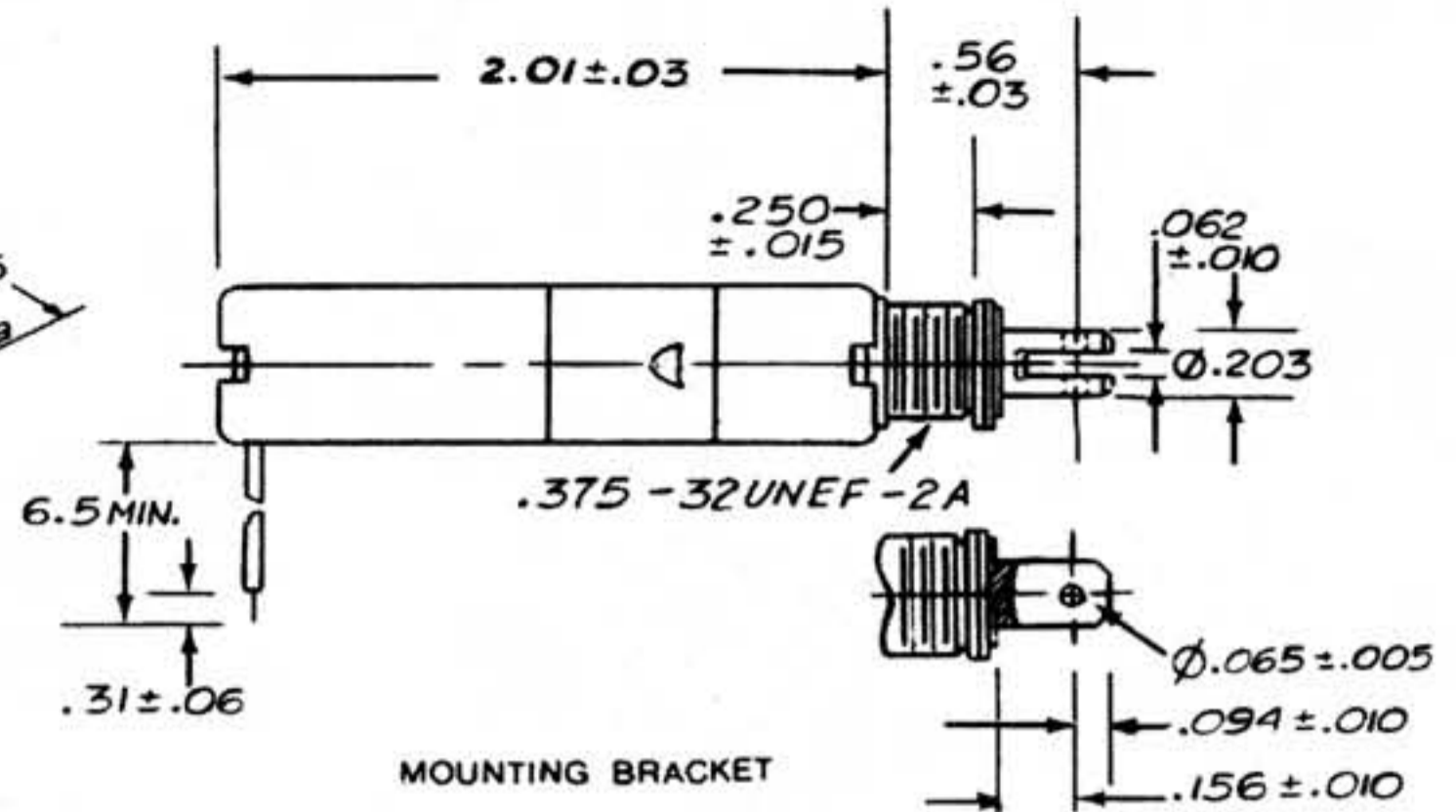
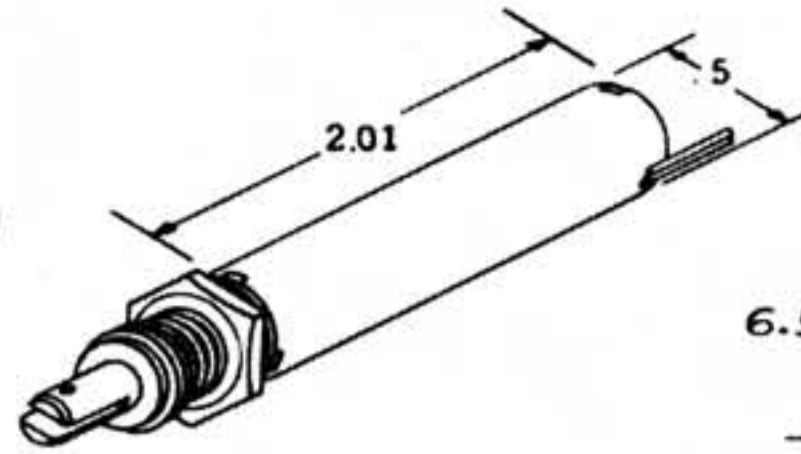


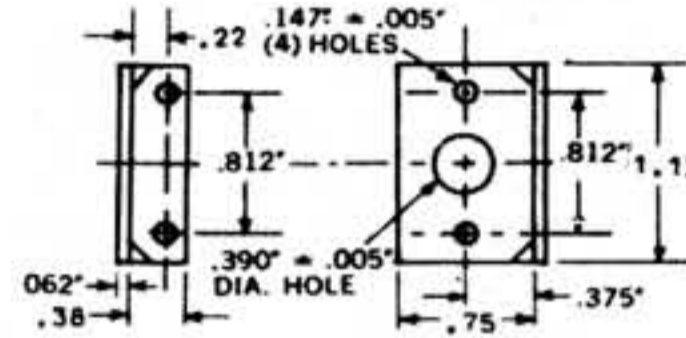


## LT4X16 - DC

- 26 Ga. wire leads
- Standard/stock DC voltages 12 & 24
- Class "A" insulation
- Stainless steel plunger sleeve
- Anti-bottoming plunger
- Stroke length 0 - 5/8"
- Plunger weight .28 oz. (8.0 grams)
- Total weight 1.43 oz. (40 grams)



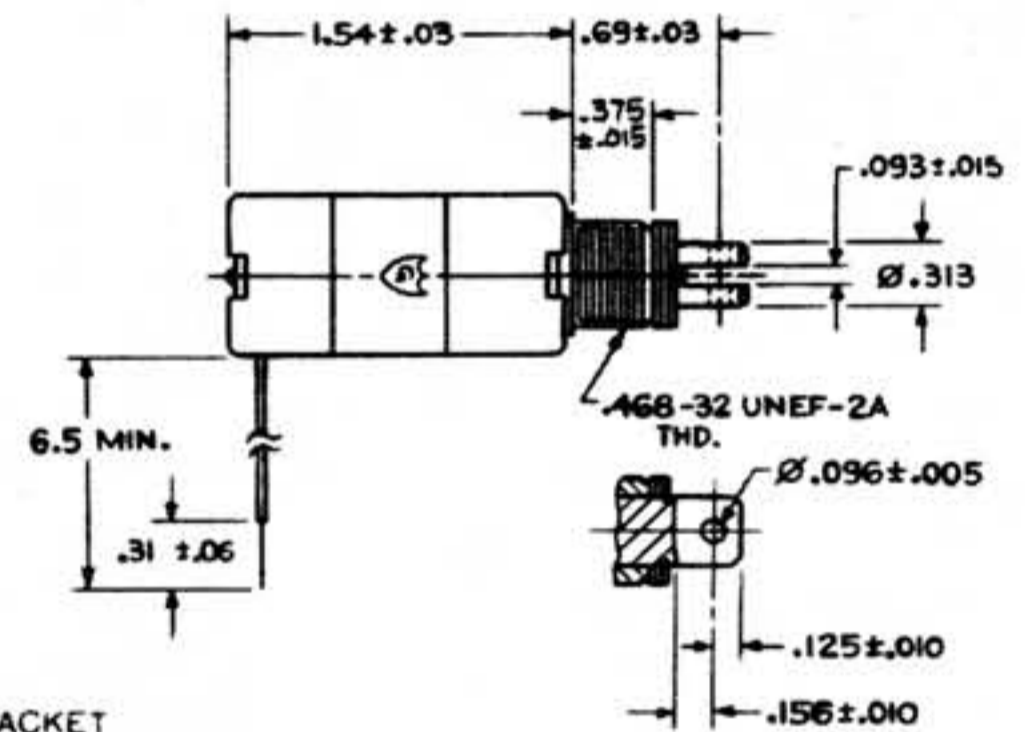
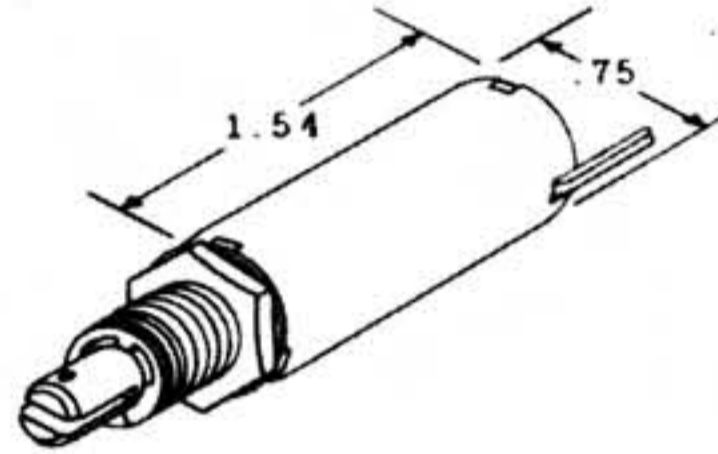
MOUNTING BRACKET



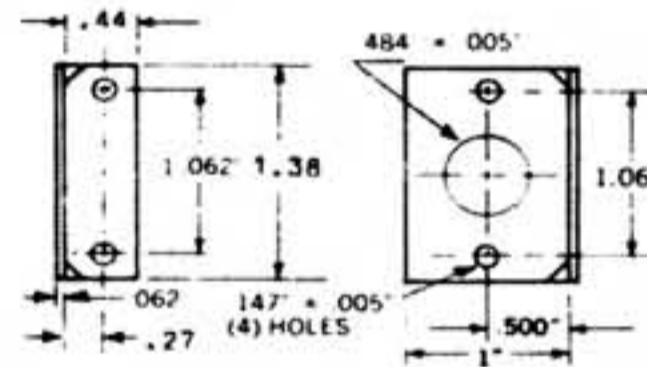
Coil Voltage	Coil Res. Ω	Duty	Pull at 1/8"	Holding Force	PART NUMBERS
12VDC	14	Int.	5.5 oz.	18 oz.	LT4X16-I-12D
12VDC	42.5	Cont.	2.4 oz.	13 oz.	LT4X16-C-12D
24VDC	69.1	Int.	4.8 oz.	16 oz.	LT4X16-I-24D
24VDC	168	Cont.	2.4 oz.	13 oz.	LT4X16-C-24D

## LT6X12 - DC

- 26 Ga. wire leads
- Standard/stock DC voltages 12 & 24
- Class "A" insulation
- Stainless steel plunger sleeve
- Anti-bottoming plunger
- Stroke length 0 - 3/4"
- Plunger weight .57 oz. (16.1 grams)
- Total weight 2.53 oz. (71.5 grams)



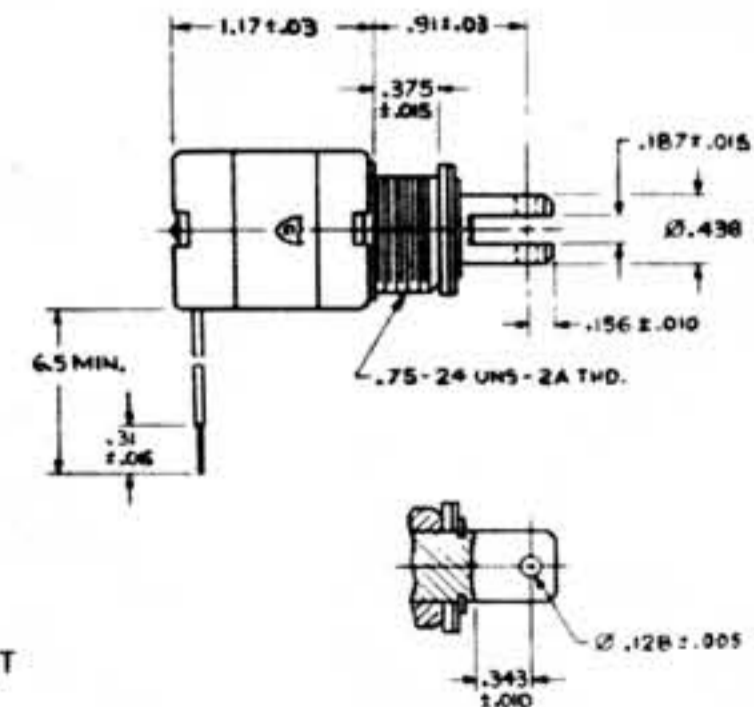
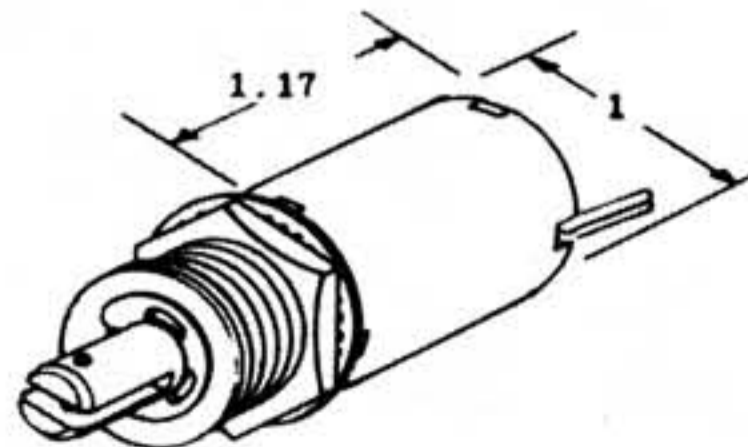
MOUNTING BRACKET



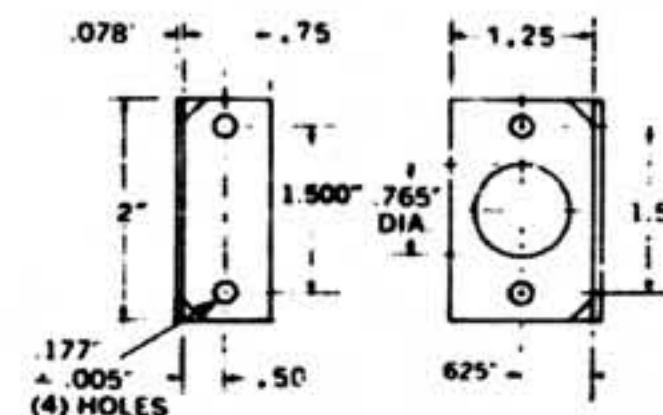
Coil Voltage	Coil Res. Ω	Duty	Pull at 1/8"	Holding Force	PART NUMBERS
12VDC	13.8	Int.	20.0 oz.	39 oz.	LT6X12-I-12D
12VDC	35	Cont.	7.0 oz.	21 oz.	LT6X12-C-12D
24VDC	53.8	Int.	20.0 oz.	39 oz.	LT6X12-I-24D
24VDC	138	Cont.	7.0 oz.	21 oz.	LT6X12-C-24D

## LT8X9 - DC

- 22 Ga. wire leads
- Standard/stock DC voltages 12 & 24
- Class "A" insulation
- Stainless steel plunger sleeve
- Anti-bottoming plunger
- Stroke length 0 - 5/8"
- Plunger weight 1.1 oz. (3 grams)
- Total weight 3.7 oz. (106 grams)



MOUNTING BRACKET



Coil Voltage	Coil Res. Ω	Duty	Pull at 1/8"	Holding Force	PART NUMBERS
12VDC	11.1	Int.	21.0 oz.	67 oz.	LT8X9-I-12D
12VDC	27.6	Cont.	8.0 oz.	31 oz.	LT8X9-C-12D
24VDC	44.6	Int.	21.0 oz.	67 oz.	LT8X9-I-24D
24VDC	109	Cont.	8.0 oz.	31 oz.	LT8X9-C-24D