

Steel City®

NEW!

Type B Liquidtight Fittings



Smart Features at a Low Price!

Steel City's new one-piece, economical Type B liquidtight fitting is ideal for commercial applications such as air conditioning hook-ups. The one-piece design requires no disassembly during installation, saving time and hassle in the field. It's an economical alternative that gives you overall savings on your next job.

Steel City® LT Fitting Advantages:

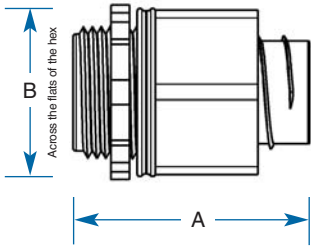
- **Patented Double Seal Gasket.** Our new gasket design provides two effective contact points of protection against liquids, rain, and other moisture.
- **True 90° Degree Sweep Fittings.** The full turn in the fitting interior helps make your pulls easy. There's no areas where the wire can snag within the 90° fittings.
- **Patented Zero Degree Pitch Thread.** The threading that secures the liquidtight fitting onto the conduit tapers to a zero degree pitch at the end. This feature ensures a full 360° of protection from leak paths.
- **UL Listed for UV applications.** This product is fully UL tested and listed for UV applications. So it's ready to take the demands of outdoor installations.



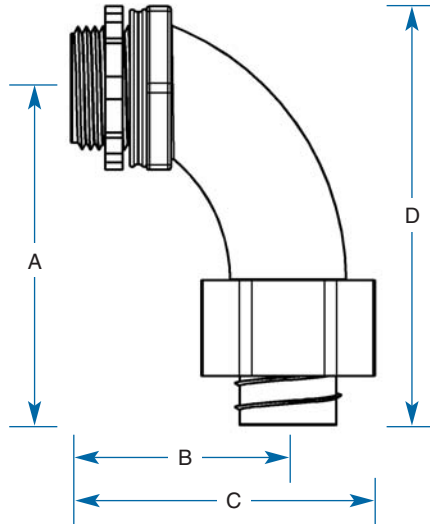
Steel City's Type B Liquidtight Fittings provides a simple, low-cost method to run non-metallic conduit in a variety of applications. Available in 3/8" to 1".



Straight LT Fitting



Sweep 90° LT Fitting



Materials and Ratings:

- Material:** UV Listed Rigid PVC
- Gasket:** Neoprene Double Seal
- Locknut:** Tapped Zinc Die Cast, minimum two threads
- Standards:** UL Standard 514B
Liquidtight UL Listed for UV applications



Steel City® Type B Liquidtight Fitting Information

Catalog Number	Trade Size	Product Description	Dim A	Dim B	Dim C	Dim D	Thread Size	Weight Per 100	UPC Number
LT38-SC	3/8"	Straight LT Fitting	1.604	0.900	-	-	1/2" - 14 NPT	Available September 2004	
LT938-SC	3/8"	Sweep 90° LT Fitting	2.357	1.635	2.085	2.917	1/2" - 14 NPT	Available September 2004	
LT12-SC	1/2"	Straight LT Fitting	1.610	1.090	-	-	1/2" - 14 NPT	3.42	785991-19856
LT912-SC	1/2"	Sweep 90° LT Fitting	2.148	1.618	2.235	2.755	1/2" - 14 NPT	6.06	785991-19857
LT34-SC	3/4"	Straight LT Fitting	1.765	1.400	-	-	3/4" - 11 1/2 NPT	6.17	785991-19858
LT934-SC	3/4"	Sweep 90° LT Fitting	2.440	1.725	2.460	3.110	3/4" - 11 1/2 NPT	9.37	785991-19859
LT1-SC	1"	Straight LT Fitting	2.000	1.600	-	-	1" - 11 1/2 NPT	Available September 2004	
LT91-SC	1"	Sweep 90° LT Fitting	3.200	2.250	3.050	4.050	1" - 11 1/2 NPT	Available September 2004	



Commercial Grade U.L./CSA Listed

- Gray color standard
- 80°C temperature rated
- UV resistant
- Material – PVC



Steel City® Type B Liquidtight Nonmetallic Conduit Information

Catalog Number	Trade Size	Conduit Color	Inside Diameter (in.)		Outside Diameter (in.)		Weight Per 100'	UPC Number
			Min.	Max.	Min.	Max.		
LTC038GY	3/8"	Gray	0.484	0.504	0.690	0.710	12.25	786210-88075
LTC050GY	1/2"	Gray	0.622	0.642	0.820	0.840	14.50	786210-88076
LTC075GY	3/4"	Gray	0.820	0.840	1.030	1.050	20.90	786210-88077
LTC100GY	1"	Gray	1.041	1.066	1.290	1.315	30.00	786210-88078

U.L. Listed, U.L. File No. 95745
CSA Certified, CSA File No. LL 80349



Thomas & Betts

Please ask your Thomas & Betts Sales Representative for a complete catalog of quality T&B® Fittings.

For additional product information, visit us at www.tnb.com.
For Customer Service, call 1-800-816-7809.
For technical questions, call 1-888-862-3289.

Thomas & Betts Corporation
Electrical Division
8155 T&B Boulevard
Memphis, TN 38125
901-252-5000

Thomas & Betts Ltd.
700 Thomas Avenue
Iberville, Québec J2X 2M9
450-347-5318