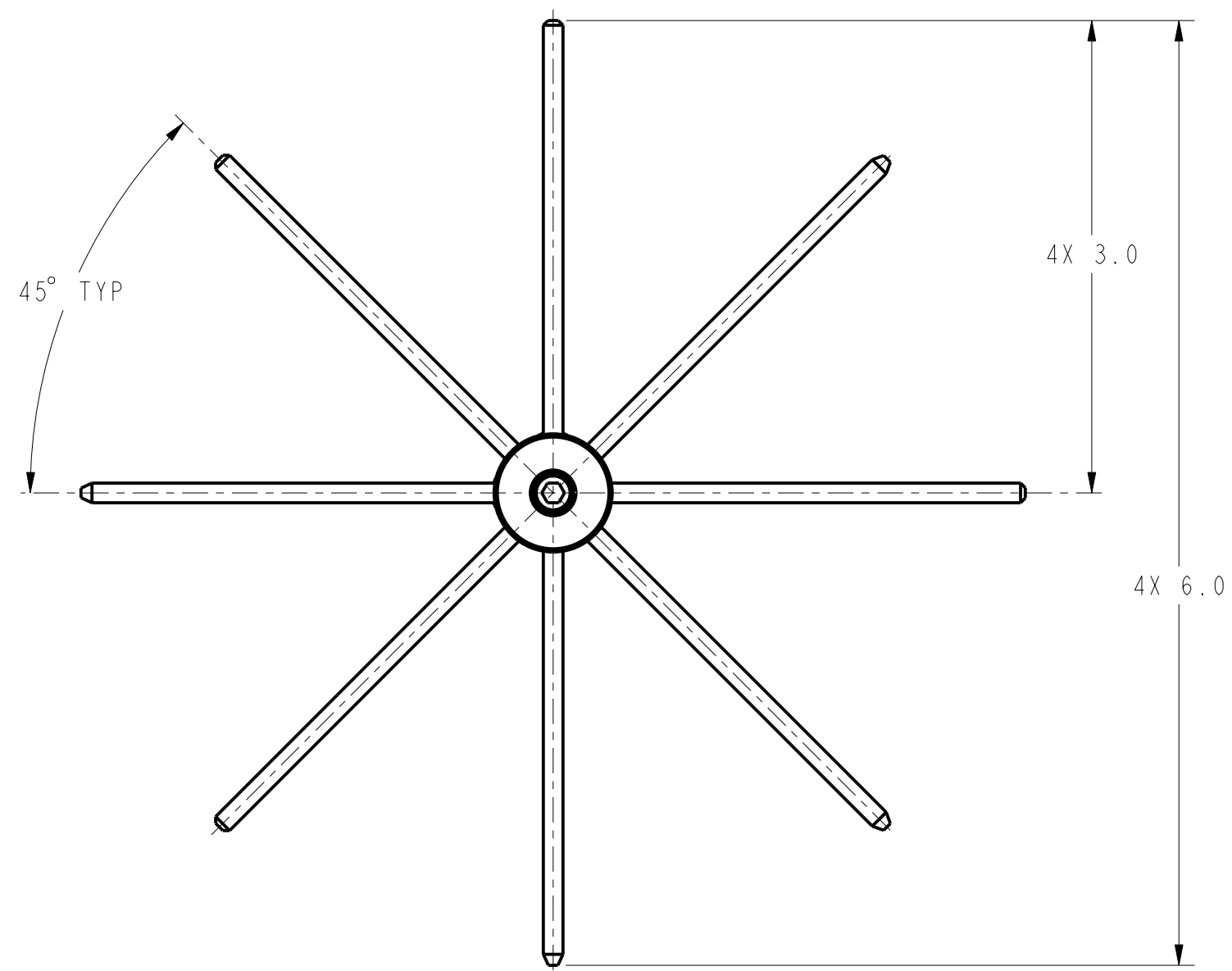
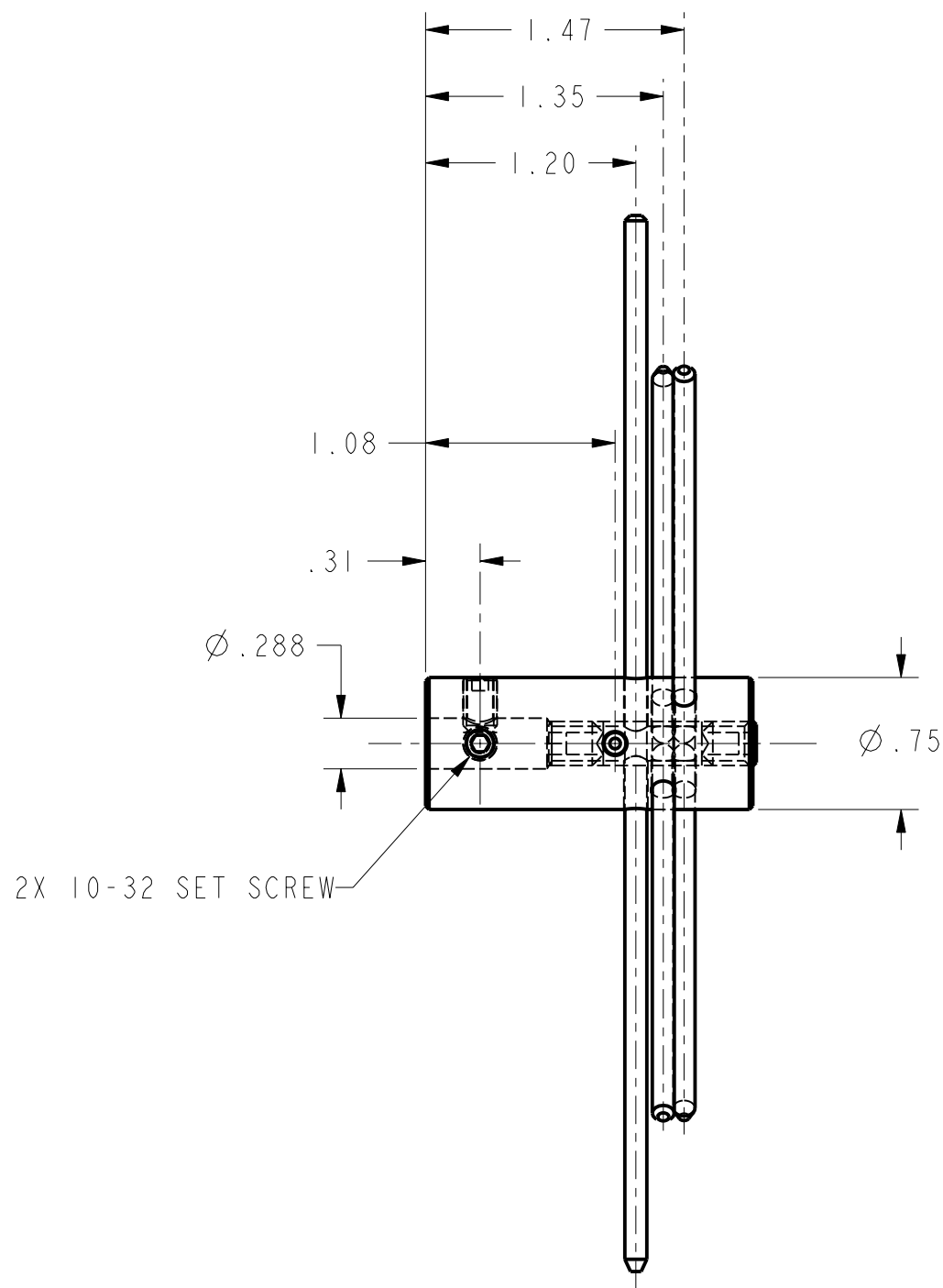


REV	DOCUMENT	CHANGED BY	CHECK
1	PR-24449	DCS 31 MAR 00	SAV



2X 10-32 SET SCREW

UNLESS OTHERWISE SPECIFIED TOLERANCES ARE:

	<input checked="" type="checkbox"/>	US (inch) CUSTOMARY	<input type="checkbox"/>	SI (mm) METRIC
NO PLACE	X	±.040	±1	
ONE PLACE	.X	±.030	±0,4	
TWO PLACE	.XX	±.015	±0,15	
THREE PLACE	.XXX	±.005	±	
ANGLES		±4°	±	
RAW MATERIAL-COMMERCIAL STANDARD				

THIRD ANGLE PROJECTION

DRAWN	MAM	29 FEB 00
CHECK	SAV	29 FEB 00
THIS DRAWING COVERS A PROPRIETARY ITEM AND IS THE PROPERTY OF HONEYWELL SENSING AND CONTROL. THIS DRAWING IS NOT TO BE COPIED OR USED WITHOUT THE PERMISSION OF HONEYWELL.		
DIMENSIONS ARE TO BE MET BEFORE PROTECTIVE COATINGS ARE APPLIED		
PTC 3D	ASME Y14.5M-1994	

Honeywell Sensing and Control			
TITLE LEVER, SWITCH ACTUATOR			
SIZE	DWG TYPE	DRAWING NAME	REV
B	M	LSZ69DA	1
SCALE	FULL	WEIGHT	SHEET 1 OF 1