

Features

Compact design saves precious panel space.

Relay contacts can switch up to 480VA @ 240VAC, 5A continuous. Unique LED indicator gives clear visual status of relay state.

Fast-on terminals or optional depluggable screw terminals ensure quick, simple connections.

Requires no external power, power is induced from the AC conductor.



Motors[®]Saver
THREE-PHASE ELECTRIC
MOTOR PROTECTOR

Model LSRX AC Current Sensor

**Engineered
Protection**

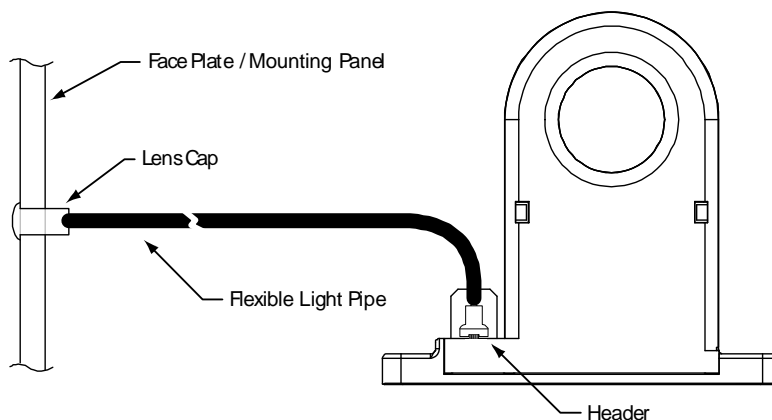
**Ideal for HVAC
and Refrigeration**

The **Model LSRX** is an AC current sensor designed to energize the output contact whenever 4.5 Amps or greater is present. The LSRX is used commonly as an AC current proof relay to indicate if a motor is operating. It can also be used to interlock fans, compressors, and motors; to indicate equipment status such as feed rates, tool wear, loss of prime on pumps, mixer viscosity, and all types of current sensing conditions; or to stage pump motors, chillers, or other machinery.

This device combines a current transformer (CT), transducer, and high current output relay together to switch alarm circuits, contactors, and most resistive or inductive loads. The LSRX can perform the function of an auxiliary contact, yet has the advantages of universal application and isolation.

Features:

- Standard surface mount
- Fast-on terminals or optional depluggable screw terminals (LSRX-C)
- LED status indicator
- Optional header for remote fiber optic panel indicator
- UR, CUR
UL, CUL (LSRX-C)
- 2-year warranty
- Made in USA



Optional remote fiber optic panel indicator



2880 North Plaza Drive • Rapid City, SD 57702
(800) 843-8848 • (605) 348-5580 • FAX (605) 348-5685
www.symcom.com • email: sales@symcominc.com

Motorsaver

THREE-PHASE ELECTRIC MOTOR PROTECTOR

Model LSRX

Specifications

Operating Points

Special Options

Specifications

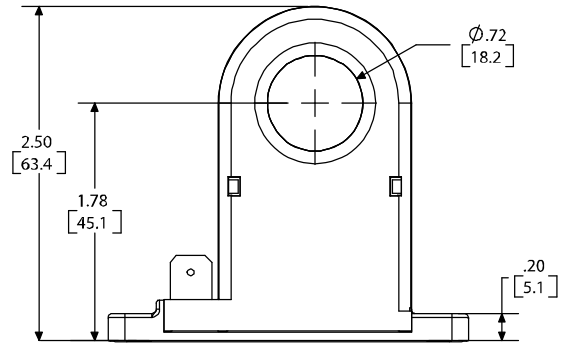
Operating Current	5-200A Continuous
Minimum Pull-in Current	4.5A (typical), 5.0A (max.)*
Power	Induced from AC conductor
Relay	
Output Rating	480VA @ 240VAC, B300
	5A General Purpose
Electrical Life.....	1x10 ⁶ operations at rated load
Mechanical Life	1x10 ⁷ operations
Maximum Conductor Diameter	0.7 in.
Output Terminals	
LSRX.....	0.25" quick-connect fast-ons
LSRX-C.....	depluggable screw terminals
Wire Size.....	12-26 AWG
Torque Rating	4.5 in.-lbs.
Output Relay Status Indicator	LED
Weight	0.15 lbs.
Operating Temperature	-20° to 70°C
Agency Approval	
LSRX	UR, CUR
LSRX-C	UL, CUL

Caution: This product should not be relied upon solely in life or safety applications.

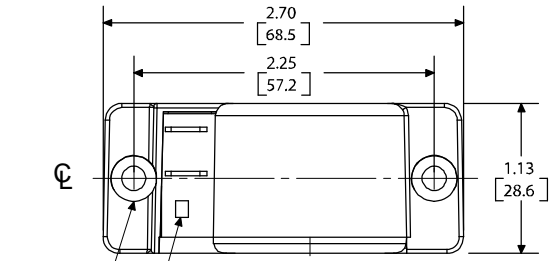
*Conductors may be looped for lower current applications.

SymCom warrants its microprocessor based products against defects in material or workmanship for a period of five (5) years from the date of manufacture. All other products manufactured by SymCom shall be warranted against defects in material and workmanship for a period of two (2) years from the date of manufacture. For complete information on warranty, liability, terms, returns, and cancellations, please refer to the SymCom Terms and Conditions of Sale document.

Model LSRX



FRONT VIEW

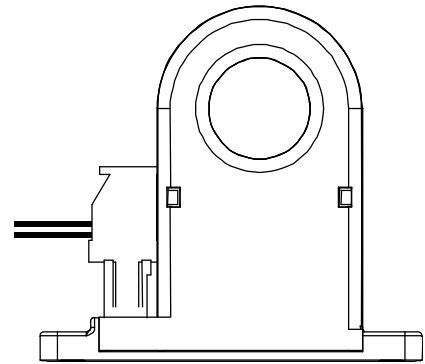


C'BORE FOR #8 SCREW

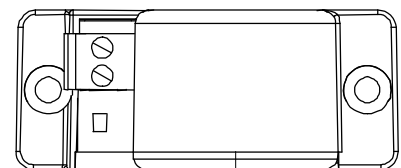
LED STATUS INDICATOR

TOP VIEW

Model LSRX-C



FRONT VIEW



TOP VIEW