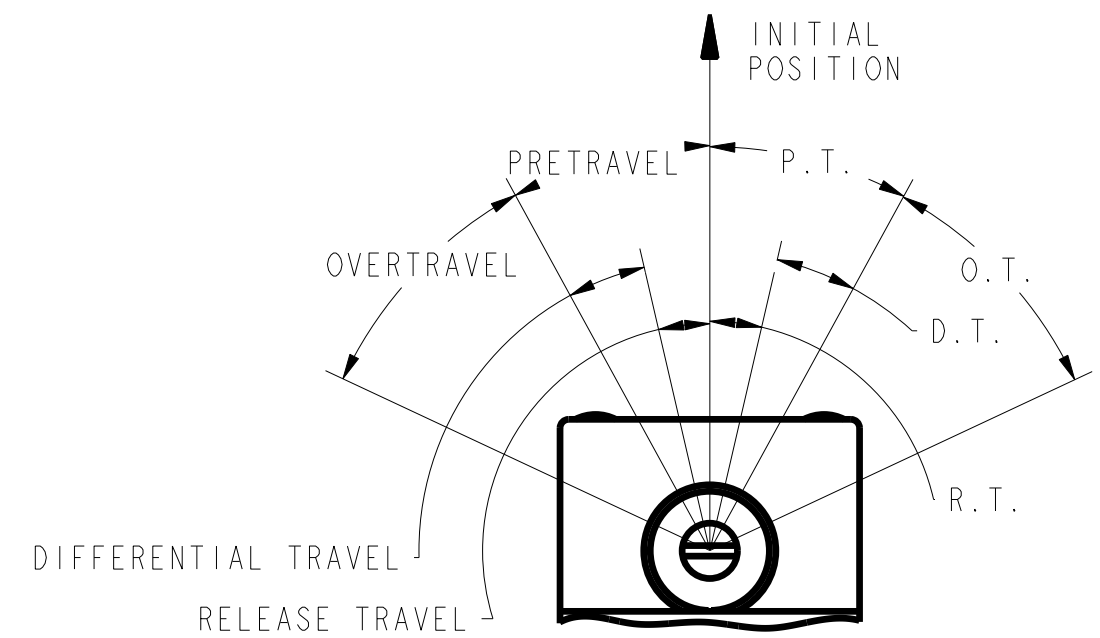
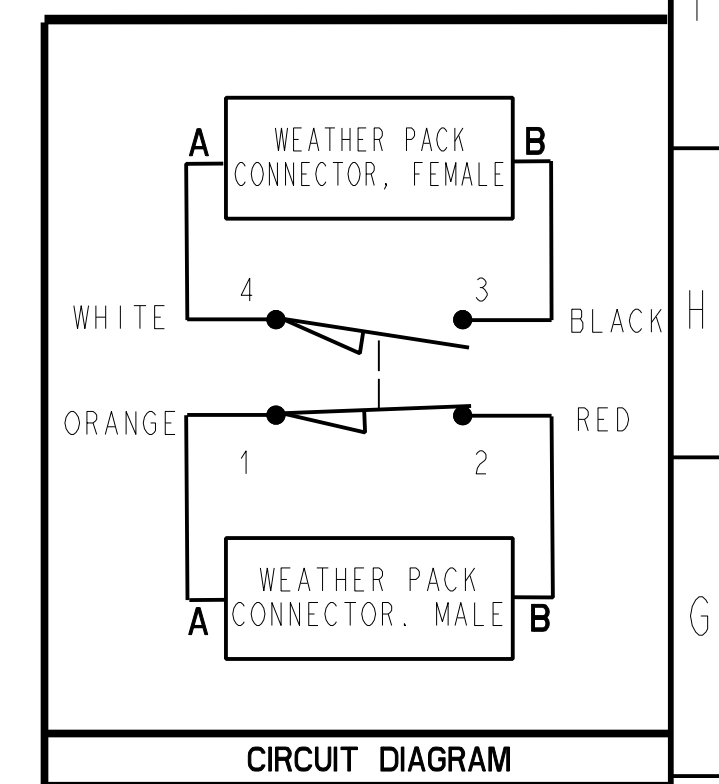
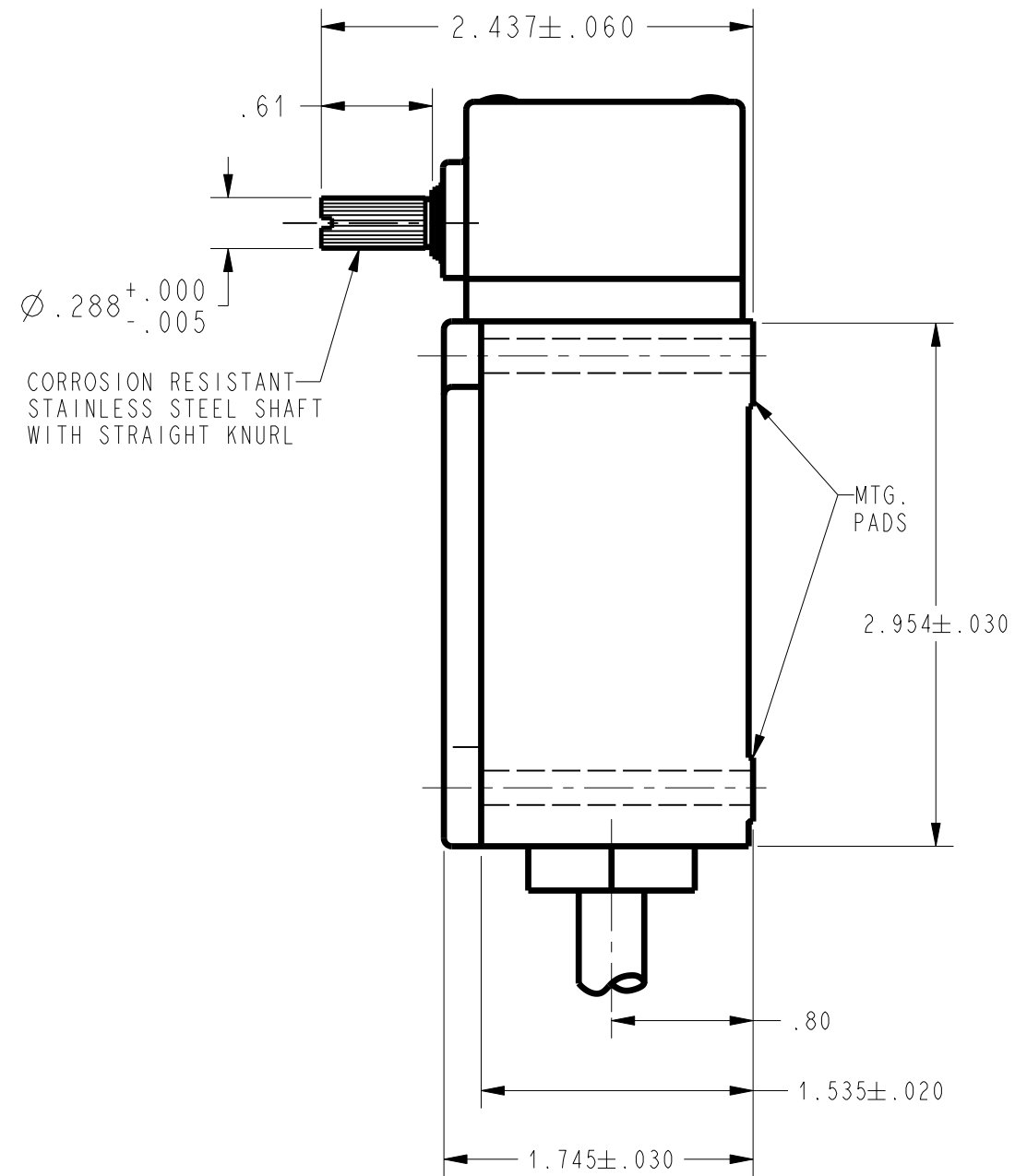
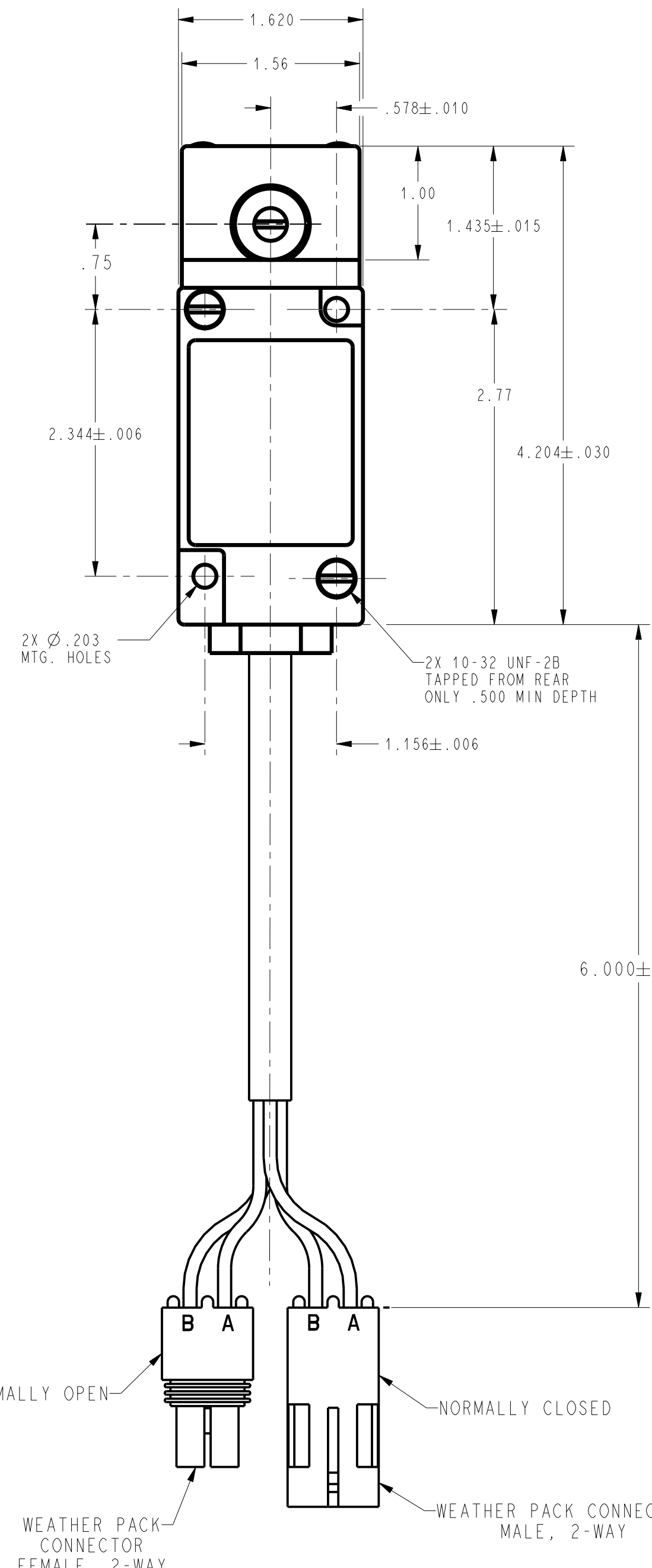


REV	DOCUMENT	CHANGED BY	CHECK
A	0000198	LJB 13MAY03	SAV



NOTES
 1 - SWITCH USES FLUROSILICONE SEALS IN OPERATING HEAD ONLY
 2 - SWITCH CAVITY EPOXY FILLED

CHARACTERISTICS	CONTACT ARRANGMENT S P D T		
	VOLTS	AMPS RESISTIVE	AMPS INDUCTIVE
OPERATING TORQUE	4 IN LBS MAX		
FULL TRAVEL TORQUE	4 IN LBS MAX		
PRETRAVEL	5° MAX		
TOTAL TRAVEL	75° REF		
DIFFERENTIAL TRAVEL	5° MAX		
OVERTRAVEL	70° MIN		
	125 VDC	2.0	1.0
	250 VDC	0.7	0.4
	120 VAC	20.0	20.0
	240 VAC	15.0	15.0
	480 VAC	10.0	10.0
	600 VAC	5.0	5.0

UNLESS OTHERWISE SPECIFIED TOLERANCES ARE:		<input checked="" type="checkbox"/> US (inch) CUSTOMARY	<input type="checkbox"/> SI (mm) METRIC	DRAWN	LJB	13MAY03	Honeywell	
NO PLACE	X	±.040	±1	CHECK	SAV	13MAY03		
ONE PLACE	.X	±.030	±0.4	THIS DRAWING COVERS A PROPRIETARY ITEM AND IS THE PROPERTY OF HONEYWELL. THIS DRAWING IS NOT TO BE COPIED OR USED WITHOUT THE PERMISSION OF HONEYWELL.			TITLE	
TWO PLACE	.XX	±.015	±0.15				SWITCH, ENCLOSED	
THREE PLACE	.XXX	±.005	±				SIZE	DWG TYPE
ANGLES		±	±	C	I	LSQYUB3K336	A	
RAW MATERIAL-COMMERCIAL STANDARD				2D PTC	ASME Y14.5M-1994	SCALE FULL	WEIGHT	SHEET 1 OF 1

