

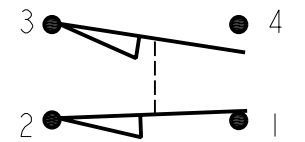
**MICROSWITCH**  
a Honeywell Division

FED. MFG. CODE 91929

**SWITCH - ENCLOSED**

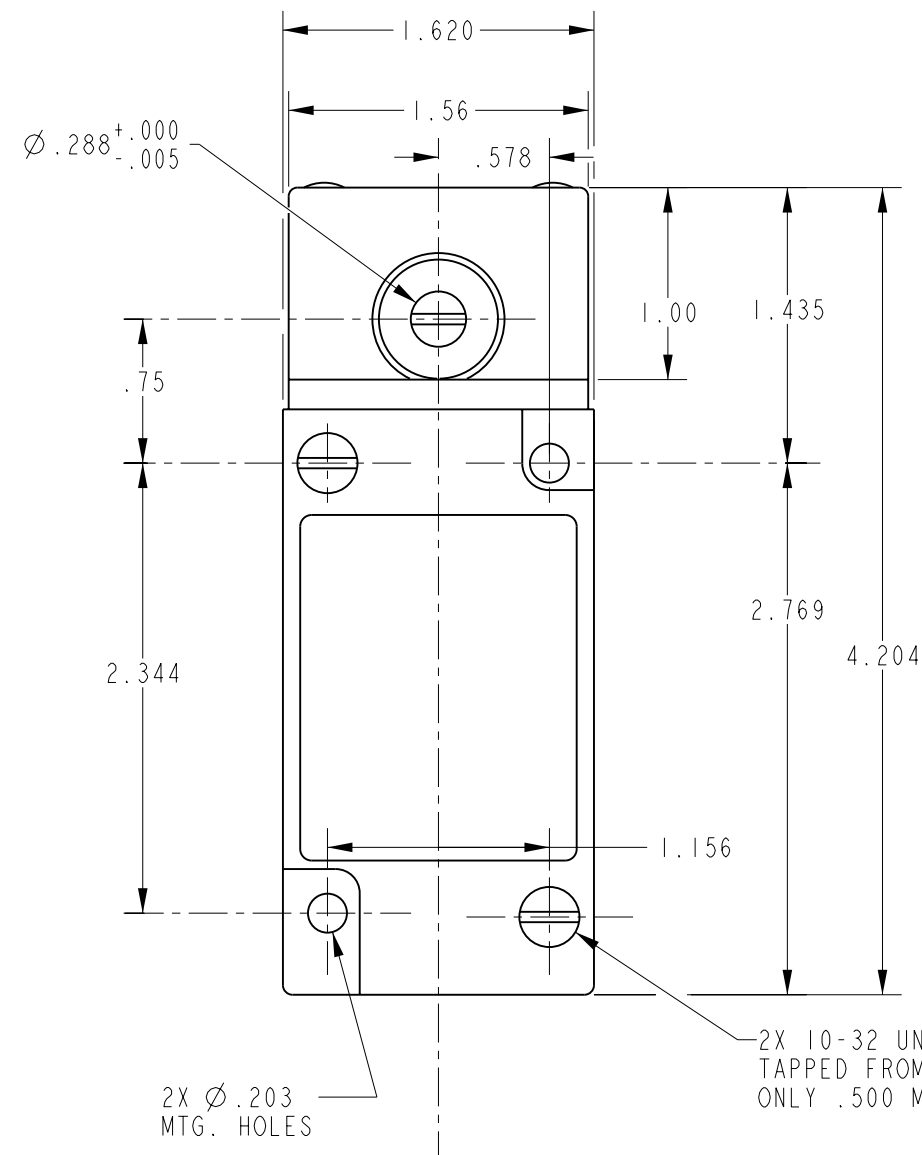
CATALOG LISTING

**LSQ310-20**



CIRCUIT DIAGRAM

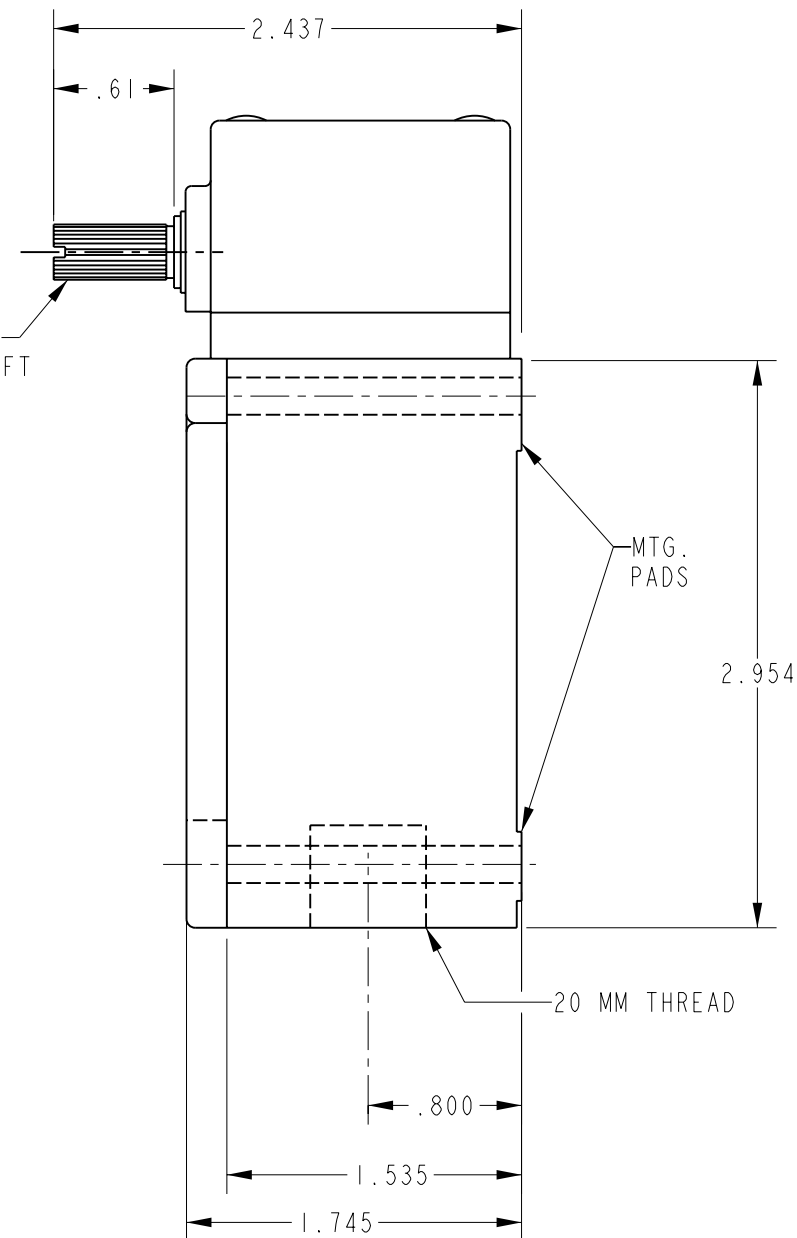
PTC/CAD  
 DRAWN  
 GLH  
 11 SEP 97  
 CHECK  
 REVISIONS  
 CHECK  
 ISSUE  
 1  
 M  
 PAGE 1 OF 1  
 LSQ310-20  
 CATALOG LISTING  
 RELEASE NO. PR-22895  
 REPLACES



2X  $\phi .203$   
MTG. HOLES

2X 10-32 UNF-2B  
TAPPED FROM REAR  
ONLY .500 MIN DEPTH

CORROSION RESISTANT  
STAINLESS STEEL SHAFT  
WITH STRAIGHT KNURL



MTG.  
PADS

20 MM THREAD

THIS DRAWING COVERS A PROPRIETARY ITEM AND IS THE PROPERTY OF MICRO SWITCH, A DIVISION OF HONEYWELL. THIS DRAWING IS NOT TO BE COPIED OR USED WITHOUT THE APPROVAL OF MICRO SWITCH

| CHARACTERISTICS                           | ELECTRICAL DATA             |
|---|-----------------------------|
| OPERATING TORQUE ----- 4 IN LBS MAX       | CONTACT ARRANGEMENT<br>SPDT |
| PRETRAVEL ----- 55°                       |                             |
| CONTACT TRANSFER ----- 60°                |                             |
| SEGMENT POSITION ----- 90°                |                             |
| TOTAL SHAFT ROTATION ----- 360° CW OR CCW |                             |

| THIRD ANGLE PROJECTION                    |
|---|
| SCALE FULL                                |
| DO NOT SCALE PRINT                        |
| UNLESS OTHERWISE SPECIFIED TOLERANCES ARE |
| ONE PLACE (.0) ±.030                      |
| TWO PLACE (.00) ±.015                     |
| THREE PLACE (.000) ±.005                  |
| ANGLES ±                                  |
| WEIGHT                                    |

NOTES

1 - SWITCH USES FLUOROSILICONE SEALS  
IN OPERATING HEADS ONLY

ANSI Y14.5M-1982 APPLIES