

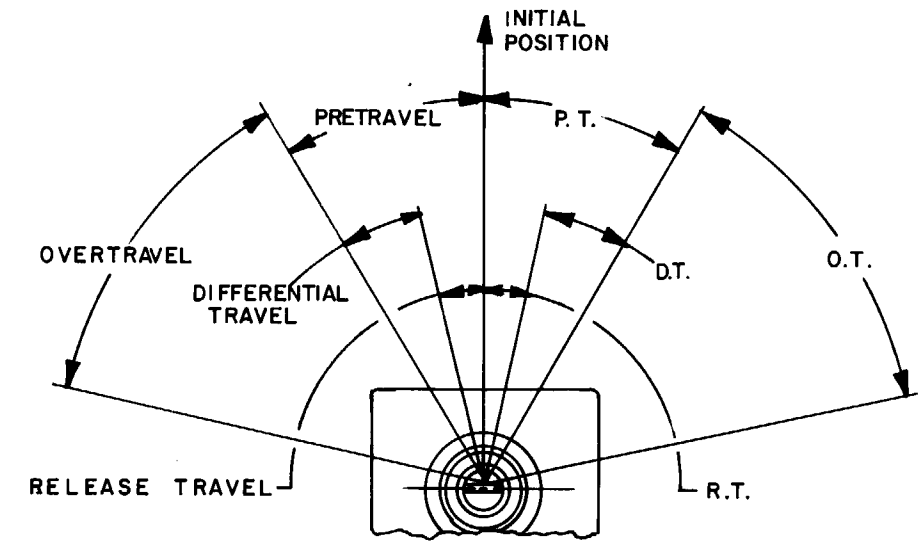
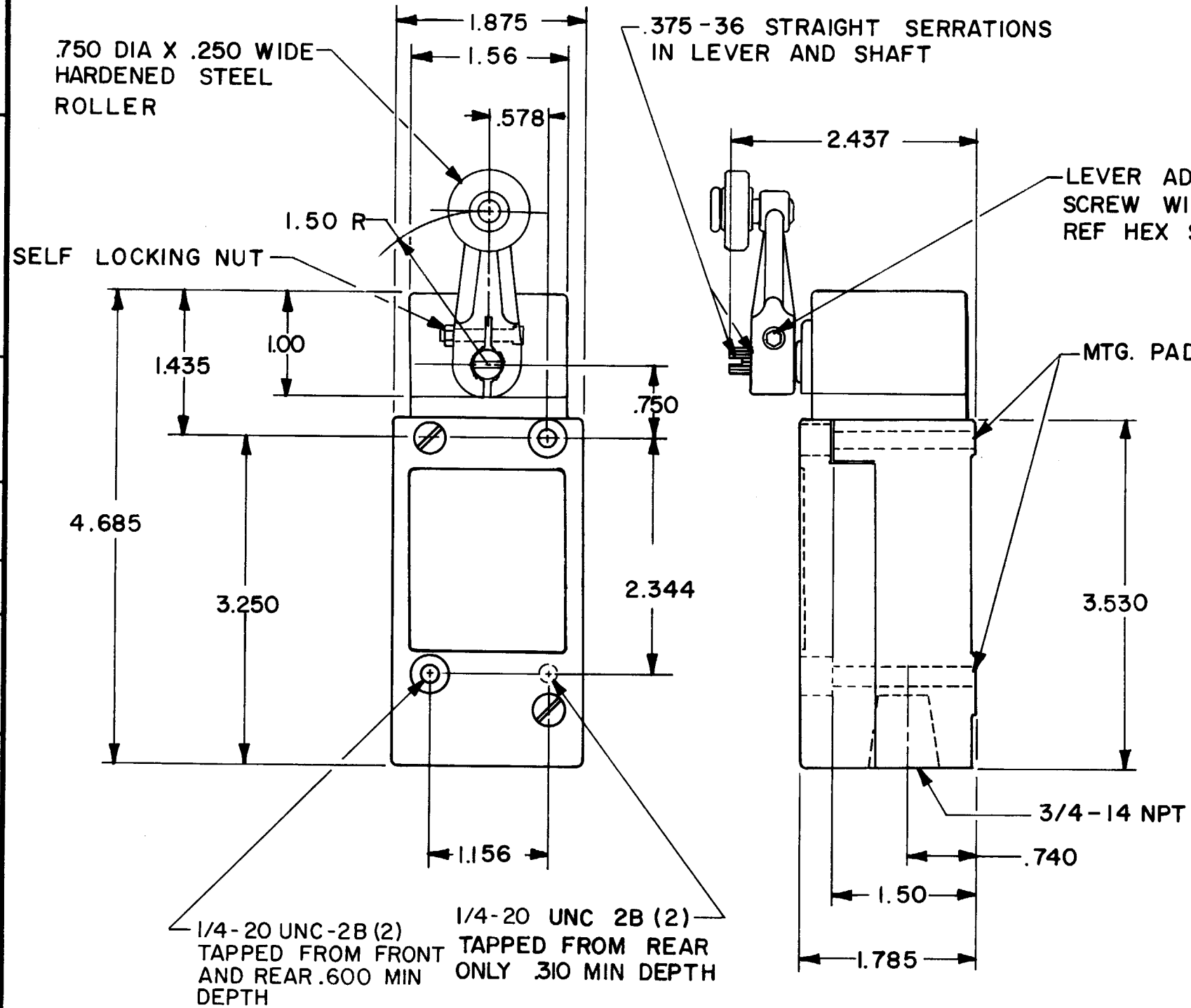
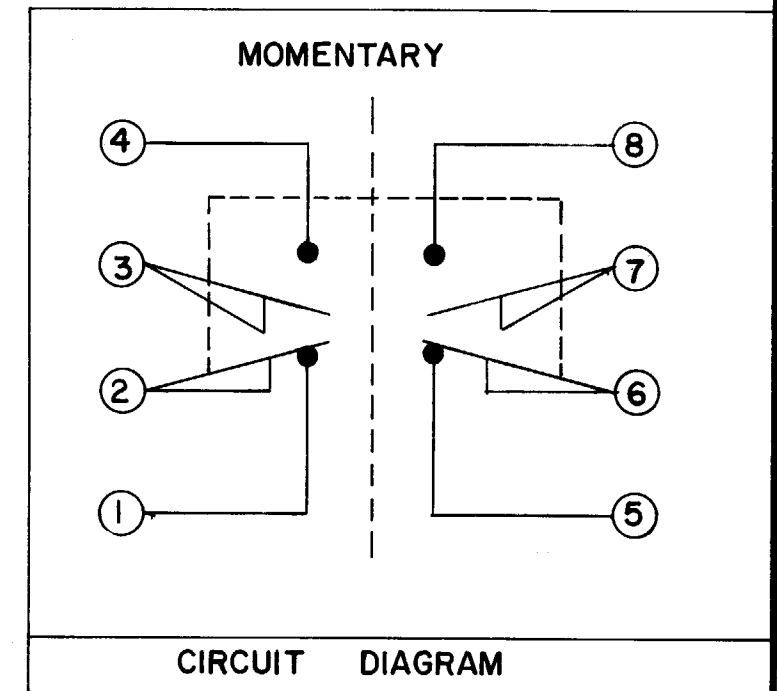
**MICRO SWITCH**FREEPORT, ILLINOIS, U.S.A.  
A DIVISION OF HONEYWELL

FED. MFG. CODE 91929

**SWITCH—ENCLOSED**CATALOG LISTING  
**LSQ038****LSQ038****M**DRAWING  
NUMBER

ISSUE

4

REPLACES  
RELEASE NO. PR-3853-TREVISIONS  
A C053617 TSK AUG 83  
B C060151 J A P 15 AUG 86  
C C063742 TSK 17 JUN 88GJW 9 JUNE 81  
CHECK  
JEB 17 JUNE 81  
CHECK  
ROB 11 JUNE 81  
CHECKFO-92851-B  
DRAWN**OPERATING DATA—SIDE ROTARY****NOTES**

- 1 LEVER FURNISHED UNASSEMBLED
- 2 SWITCH USES VITON SEALS

THIS DRAWING COVERS A PROPRIETARY ITEM AND IS THE PROPERTY OF MICRO SWITCH, A DIVISION OF HONEYWELL. THIS DRAWING IS NOT TO BE COPIED OR USED WITHOUT THE APPROVAL OF MICRO SWITCH.

SCALE NONE

DO NOT SCALE PRINT

**CHARACTERISTICS**

OPERATING TORQUE ----- 4 IN LBS MAX

FULL TRAVEL TORQUE ----- 4 IN LBS MAX

TOTAL TRAVEL ----- 75° REF

PRETRAVEL ----- 9° MAX

DIFFERENTIAL TRAVEL ----- 4° MAX

OVERTRAVEL ----- 66° MIN

**ELECTRICAL DATA**

CONTACT ARRANGEMENT

