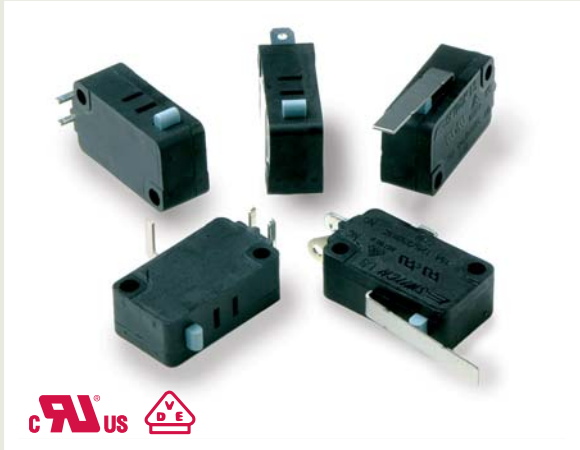


# SERIES LS SWITCHES

## SNAP ACTION SWITCHES



### SPECIFICATIONS

Contact Rating:	Gold .4VA max. @ 20 VDC or VAC Max. 15 Amps @ 125/250 VAC-UL, CUL, VDE
Life Expectancy:	50,000 cycles minimum
Mechanical Life:	500,000 cycles typical
Insulation Resistance:	100 MΩ min.
Dielectric Strength:	1,500 VAC for 60 seconds
Operating Temperature:	-25° C to 85° C (std)
Operating Force:	See Chart

### MATERIALS

Switch Housing:	High Temperature PBT (UL94 V0)
Actuator Button:	High Temperature PBT (UL94 V0)
Contacts:	Silver (std) or Gold
Terminals:	Copper Alloy

### FEATURES & BENEFITS

- ▶ Available in gold & 15amp versions
- ▶ Wide variety of actuator, operating force & termination options

### APPLICATIONS/MARKETS

- ▶ Appliance
- ▶ Timing controls
- ▶ Vending machines
- ▶ Gaming
- ▶ Industrial controls
- ▶ Power tools

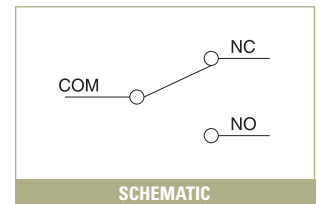
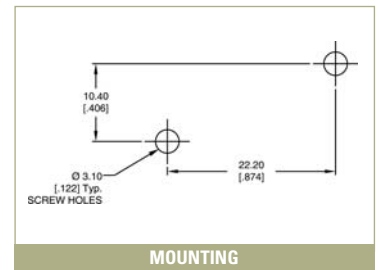
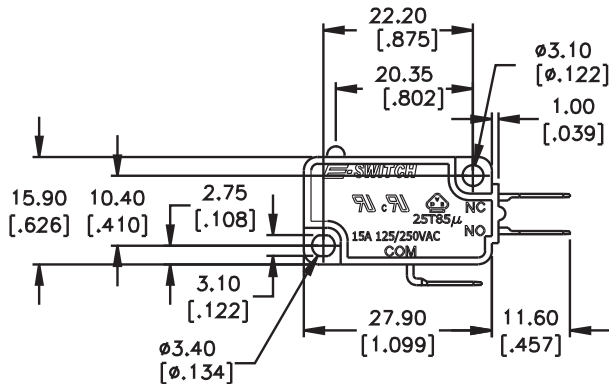
### HOW TO ORDER

SERIES	OPERATING TEMP.	CURRENT RATING	ACTUATOR	OPERATING FORCE	TERMINATION	CIRCUIT
LS	085 = 85C	R1 = Gold 15 = 15A	See Chart	See Chart	S1 = Solder Lug C1 = 0.187" Quick Connect C2 = 0.250" Quick Connect V1 = Right Angle PCB Pin V2 = Left Angle PCB Pin	A = SPDT B = SPST NC C = SPST NO

### Example Ordering Number

LS-085-15-03-F040-C2-A

Specifications subject to change without notice.

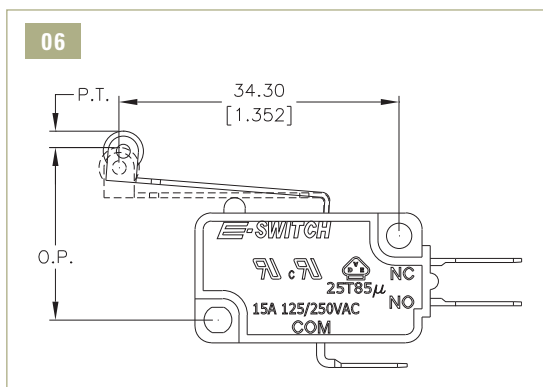
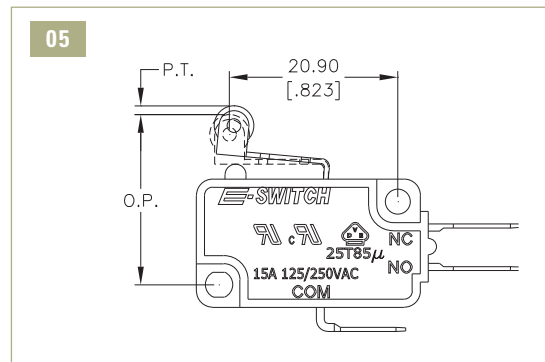
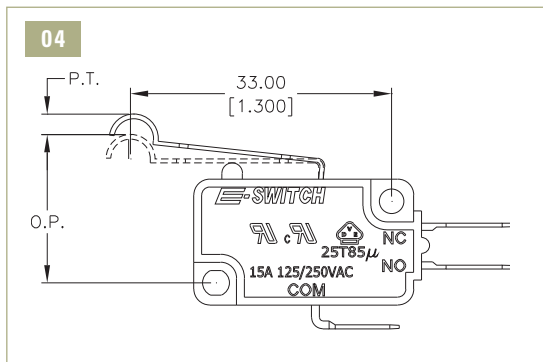
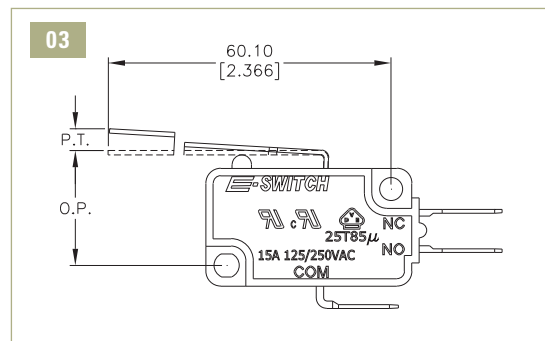
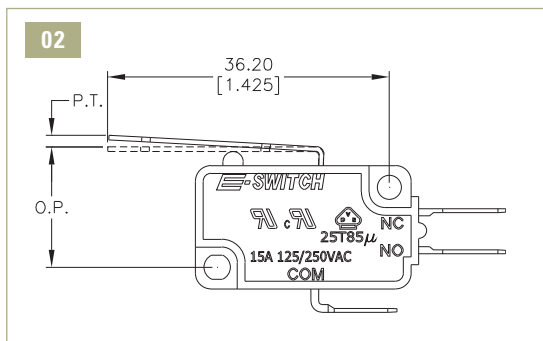
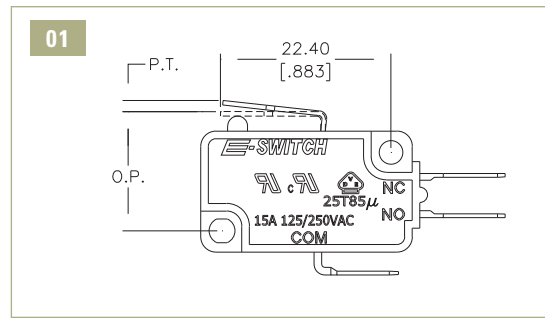
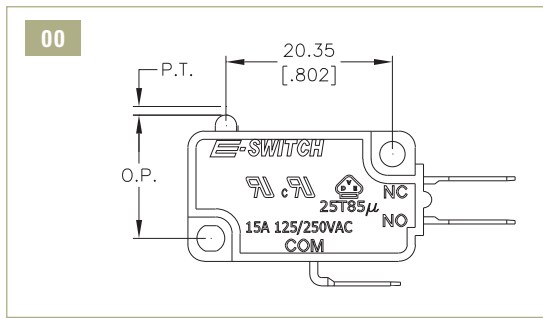


TACT SWITCHES  
NAVIGATION SWITCHES  
PUSHBUTTON SWITCHES  
TOGGLE SWITCHES  
ROCKER SWITCHES  
SLIDE SWITCHES  
SNAP-ACTION SWITCHES  
DIP SWITCHES  
KEYLOCK SWITCHES  
ROTARY SWITCHES  
DETECTOR SWITCHES  
CAP OPTIONS

# SERIES LS SWITCHES

## SNAP ACTION SWITCHES

### ACTUATOR OPTIONS



ACTUATOR AND OPERATING FORCE CHART					
Actuator	Actuation/Return Force			Pre-Travel	Operating Position
00	100+/-30	160+/-40	250+/-50	2.0 max	14.7+/-0.5
01	100+/-30	160+/-40	250+/-50	2.0 max	15.3+/-0.5
02	45+/-20	75+/-25	120+/-40	4.1 max	15.5+/-0.8
03	25+/-10	40+/-15	60+/-25	8.5 max	15.3+/-2.0
04	50+/-20	85+/-30	140+/-40	5.2 max	19.0+/-1.5
05	100+/-30	160+/-40	250+/-50	2.7 max	20.7+/-0.8
06	45+/-15	75+/-25	120+/-40	5.5 max	20.7+/-1.5

PT= Pretravel OP= Operating Point OT= Over Travel

TACT SWITCHES

NAVIGATION SWITCHES

PUSHBUTTON SWITCHES

TOGGLE SWITCHES

ROCKER SWITCHES

SLIDE SWITCHES

SNAP-ACTION SWITCHES

DIP SWITCHES

KEYLOCK SWITCHES

ROTARY SWITCHES

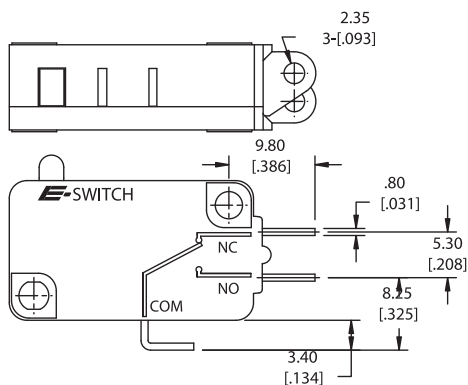
DETECTOR SWITCHES

CAP OPTIONS

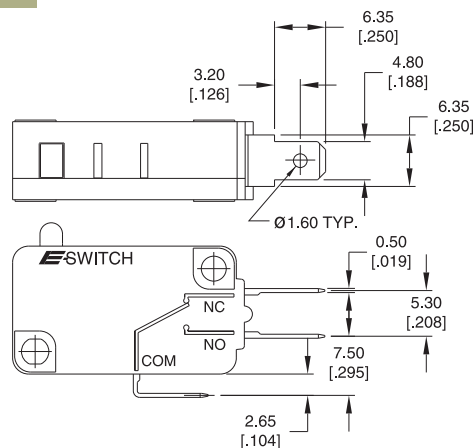


TERMINATION OPTIONS

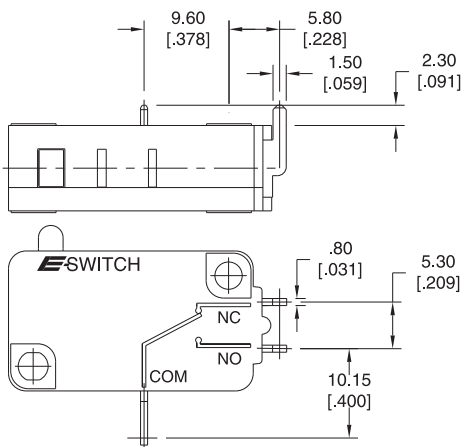
S1 SOLDER LUG



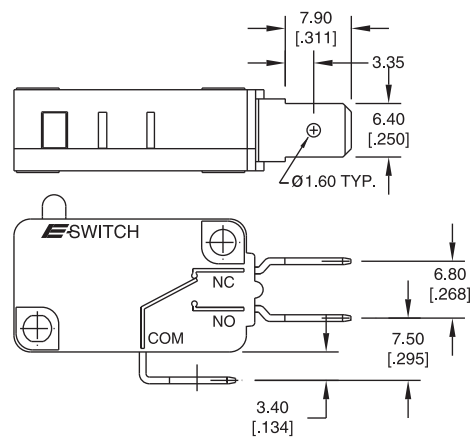
C1 0.187" QUICK CONNECT



V1 RIGHT ANGLE PCB PIN



C2 0.250" QUICK CONNECT



TACT SWITCHES

NAVIGATION SWITCHES

PUSHBUTTON SWITCHES

TOGGLE SWITCHES

ROCKER SWITCHES

SLIDE SWITCHES

SNAP-ACTION SWITCHES

DIP SWITCHES

KEYLOCK SWITCHES

ROTARY SWITCHES

DETECTOR SWITCHES

CAP OPTIONS