

# LRG-Series

## Illuminated Double Pole Rocker & Paddle Switches

The double pole lighted version of the R-Series incorporates the same sleek lines as the original Curvette, in a double pole envelope. This illuminated version features silver-plated butt-action contacts with ratings to 20A/125, 15A 250VAC and withstand peak inrush currents up to 100 amps. Clear or translucent style rocker actuators and a choice of solder lug, .250 Tab and wire lead terminations enable this switch to adapt to high current applications within the Power Supply, Appliance, Exercise Equipment and Music Equipment Industries.



**Carling Technologies®**

Innovative Designs. Powerful Solutions.

INNOVATIVE DESIGNS. POWERFUL SOLUTIONS.

Carling Technologies, Inc.  
60 Johnson Avenue • Plainville, CT 06062-1177  
Phone: (860) 793-9281 • Fax: (860) 793-9231  
Email: [sales@carlingtech.com](mailto:sales@carlingtech.com) • [www.carlingtech.com](http://www.carlingtech.com)

### Dielectric Strength

UL/CSA:  
1000V - live to dead metal parts & opposite polarity

### Electrical Life

50,000 cycles

### Mechanical Life

100,000 cycles

### Operating Temperature

-40°F to 185°F (-40°C to 85°C)

**LRGSCK611 - R S - B - B / 250N**

1 Base Part Number

2 Actuator Style

3 Actuator Color

4 Bezel Color

5 Rocker Legend

6 Lamp Voltage

**1 BASE PART NUMBER: SERIES/CIRCUITRY/RATING<sup>1</sup>/TERMINATION**  
15A 250 VAC, 20A 125 VAC, 3/4 HP 125-250 VAC

	Solder Lugs	.250 Tabs	Wire Leads
<b>Standard Base</b>			
OFF-NONE-ON	LRGSCK610	LRGSCK611	LRGSCK615
<b>European Base</b> (22 x 30 mm cutout)			
OFF-NONE-ON (Single Pole)	LRGSEK610	LRGSEK611	LRGSEK615
<b>15A 6-24 V<sup>3</sup></b>			
<b>Standard Base</b>			
OFF-NONE-ON	LRGSCK510	LRGSCK511	LRGSCK515
<b>European Base</b> (22 x 30 mm cutout)			
OFF-NONE-ON (Single Pole)	LRGSEK510	LRGSEK511	LRGSEK515

**4 BEZEL COLOR<sup>1</sup>**

<b>B</b> Black	<b>W</b> White
----------------	----------------

**5 ROCKER LEGEND**

	hot stamp
NO LEGEND	0
OFF-ON vertical	A
OFF-ON horizontal	B
I-O horizontal	D
I-O vertical	E
Dual OFF-ON, I-O vertical	H
Dual OFF-ON, I-O horizontal	J

**6 LAMP VOLTAGE<sup>2</sup>**

<b>006V</b> 6V incandescent	<b>024V</b> 24V incandescent
<b>012V</b> 12V incandescent	<b>125N</b> 125V neon
<b>018V</b> 18V incandescent	<b>250N</b> 250V neon

**2 ACTUATOR STYLE**

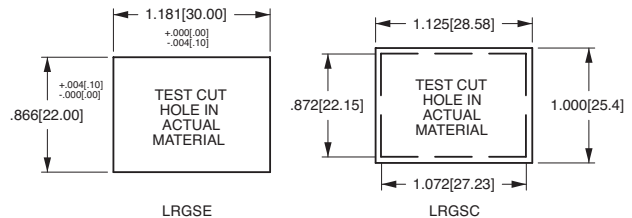
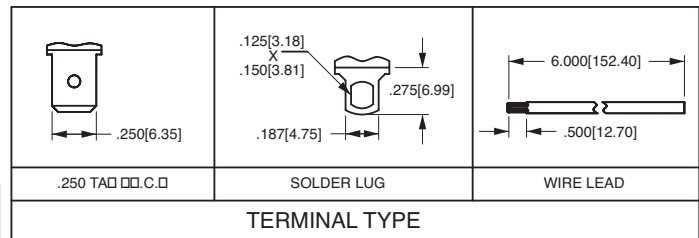
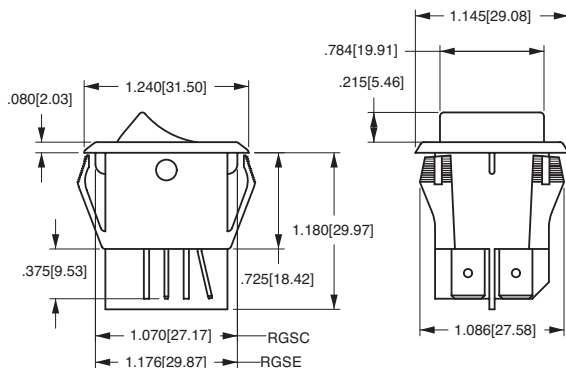
<b>R</b> Rocker (translucent)	<b>C</b> Rocker (clear)
-------------------------------	-------------------------

**3 ACTUATOR COLOR**

<b>A</b> Amber	<b>L<sup>3</sup></b> Lime Green
<b>B<sup>3,5</sup></b> Blue	<b>P</b> Yellow
<b>C<sup>4</sup></b> White/Clear	<b>R</b> Red (clear)
<b>G<sup>5</sup></b> Green	<b>S</b> Red
	<b>W</b> Pale Red

Notes:

- Additional ratings, colors and clear style actuators are available. Consult factory.
- Incandescent lamps must specify 15A 24V rating only.
- Available with incandescent lamps only.
- Clear color provided where specified with clear style rocker.
- Available with clear style rocker only.



**MOUNTING HOLE**  
Panel Thickness: .025 min - .187 max.  
Specific cutout dimension range dependent on panel thickness and material.

\*Manufacturer reserves the right to change product specification without prior notice.