

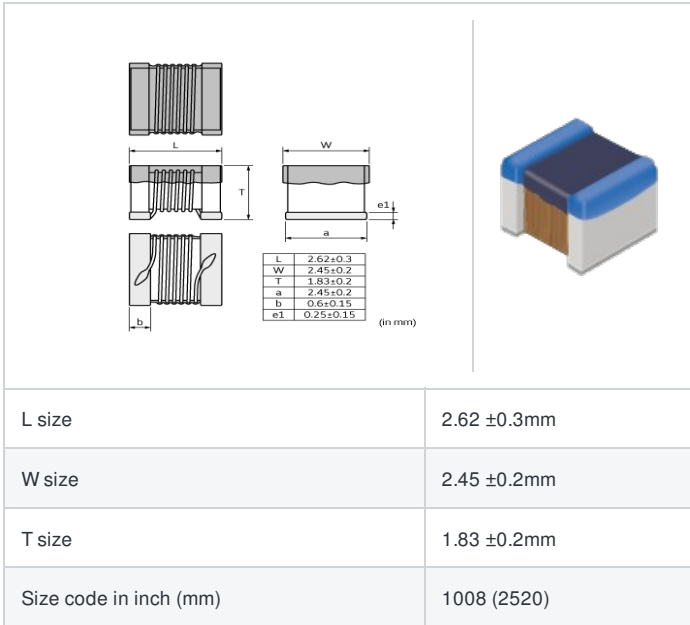
# LQW2UAS56NF0C#

# indicates a package specification code.



< List of part numbers with package codes >  
 LQW2UAS56NF0CL , LQW2UAS56NF0CB

## Shape



## References

Packaging code	Specifications	Minimum quantity
L	φ180mm Embossed taping	2000
B	Packing in bulk	500

Mass (Typ.)	
1 piece	0.039g

## Specifications

Inductance	56nH ±1%
Inductance test frequency	50MHz
Rated current (Itemp) (Based on Temperature rise)	1000mA
Max. of DC resistance	0.18Ω
Q (min.)	65
Q test frequency	350MHz
Self resonance frequency (min.)	1300MHz
Operating temperature range (Self-temperature rise is not included)	-40°C to 85°C
Series	LQW2UAS_0C

### Attention

- 1.This datasheet is downloaded from the website of Murata Manufacturing Co., Ltd. Therefore, it's specifications are subject to change or our products in it may be discontinued without advance notice. Please check with our sales representatives or product engineers before ordering.
- 2.This datasheet has only typical specifications because there is no space for detailed specifications. Therefore, please review our product specifications or consult the approval sheet for product specifications before ordering.