

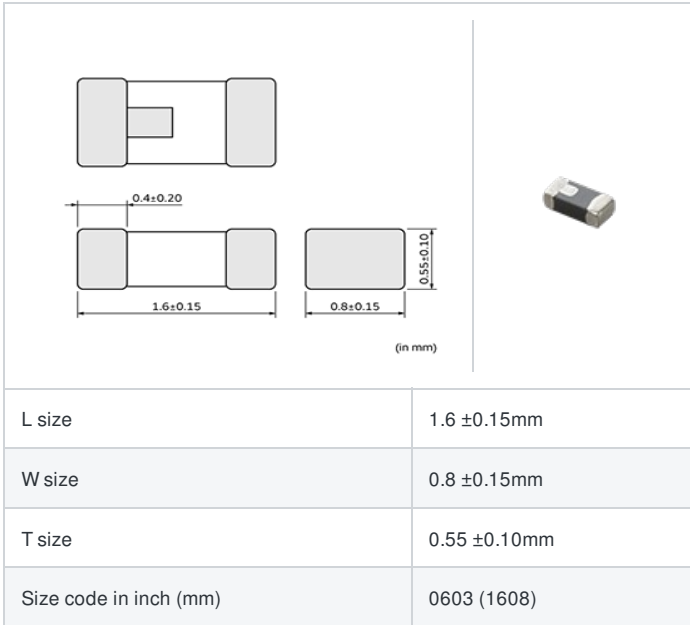
LQM18JNR10J00#

indicates a package specification code.



< List of part numbers with package codes >
LQM18JNR10J00D , LQM18JNR10J00B

Shape



References

Packaging code	Specifications	Minimum quantity
D	φ180mm Paper taping	4000
B	Packing in bulk	1000

Mass (Typ.)	
1 piece	0.004g

Specifications

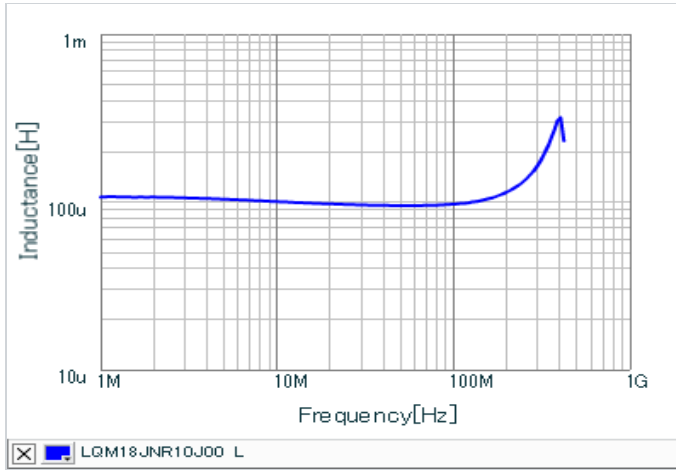
Inductance	100nH ±5%
Inductance test frequency	25MHz
Rated current (Itemp) (Based on Temperature rise)	650mA
Max. of DC resistance	0.5125Ω
Avg. of DC resistance	0.41Ω ±25%
Q (min.)	8
Q test frequency	25MHz
Self resonance frequency (min.)	200MHz
Operating temperature range	-40~85°C
Class of magnetic shield	Ferrite Core
Series	LQM18JN_00

Attention

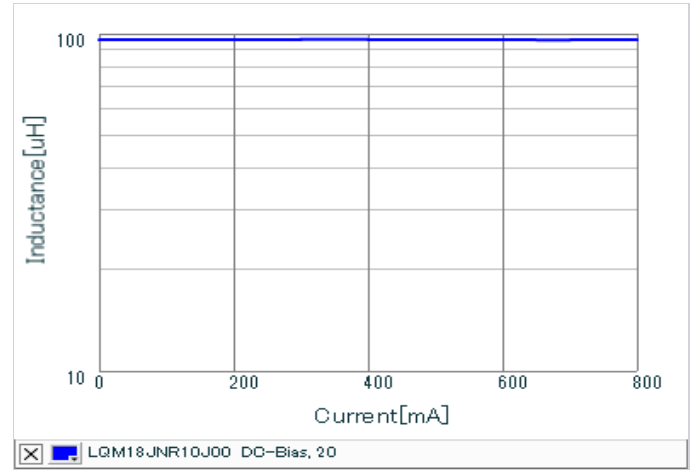
- 1.This datasheet is downloaded from the website of Murata Manufacturing Co., Ltd. Therefore, it's specifications are subject to change or our products in it may be discontinued without advance notice. Please check with our sales representatives or product engineers before ordering.
- 2.This datasheet has only typical specifications because there is no space for detailed specifications. Therefore, please review our product specifications or consult the approval sheet for product specifications before ordering.

Chart of characteristic data (The charts below may show another part number which shares its characteristics.)

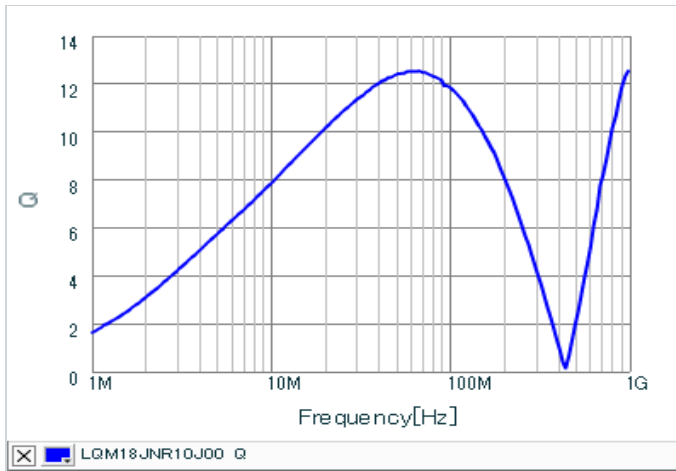
▪ Inductance-Frequency characteristics (Typ.)



▪ Inductance-Current characteristics (Typ.)



▪ Q-Frequency characteristics (Typ.)



⚠ Attention

- 1.This datasheet is downloaded from the website of Murata Manufacturing Co., Ltd. Therefore, it's specifications are subject to change or our products in it may be discontinued without advance notice. Please check with our sales representatives or product engineers before ordering.
- 2.This datasheet has only typical specifications because there is no space for detailed specifications. Therefore, please review our product specifications or consult the approval sheet for product specifications before ordering.