

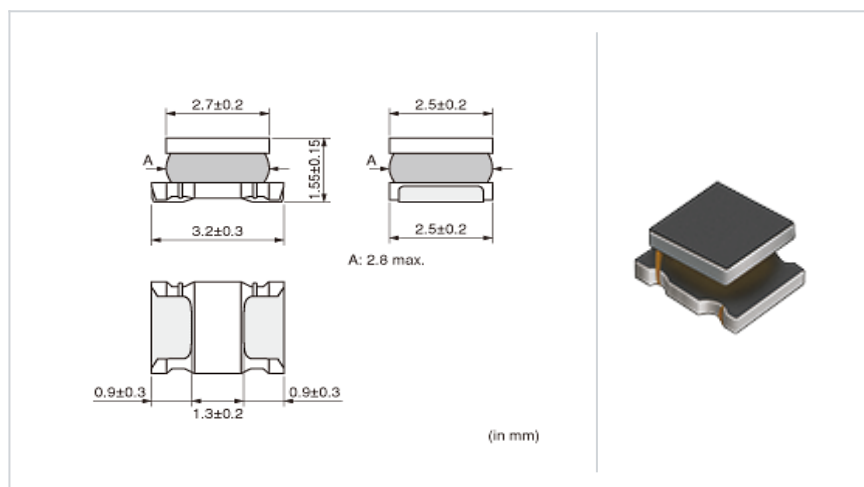
# LQH32PN1R0NN0#

" # " indicates a package specification code.

Available **General** **85** **Wound (Shield)** **Thickness 17mm max.** **Reflow OK** **RoHS**

< List of part numbers with package codes >  
LQH32PN1R0NN0L , LQH32PN1R0NN0K

## Shape



L size	3.2 ± 0.3mm
W size	2.5 ± 0.2mm
T size	1.55 ± 0.15mm
Size code in inch (mm)	1210 (3225)

## Specifications

Inductance	1.0μH ± 30%
Inductance test frequency	1MHz
Rated current (I <sub>sat</sub> ) (Based on Inductance change)	2300mA
Rated current (I <sub>temp</sub> ) (Based on Temperature rise)	2050mA
Max. of DC resistance	0.0540
Avg. of DC resistance	0.045 ± 20%
Self resonance frequency (min.)	100MHz
Operating temperature range (Self-temperature rise is included)	-40 ~ 125
Operating temperature range (Self-temperature rise is not included)	-40 ~ 85
Class of magnetic shield	Magnetic shield of magnetic powder in resin

## Notes

When applied Rated current to the Products, Inductance will be within ± 30% of nominal Inductance value.  
When applied Rated current to the Products, temperature rise caused by self-generated heat shall be limited to 40 °C max.  
Keep the temperature ( ambient temperature plus self-generation of heat) under 125 °C.

## References

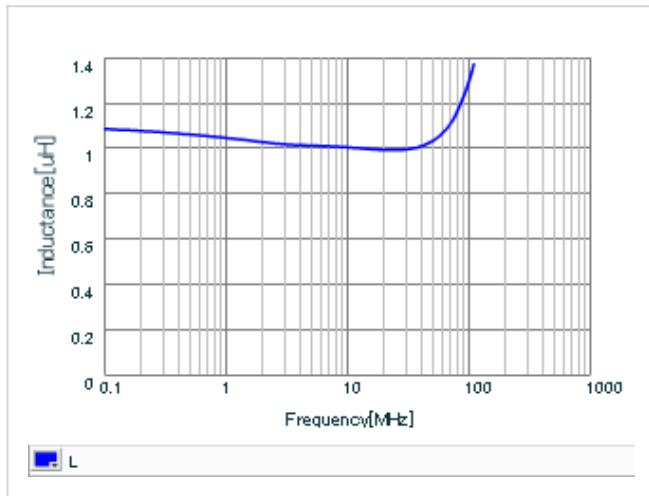
Packaging code	Specifications	Minimum quantity
L	180mm Embossed taping	2000
K	330mm Embossed taping	7500

Mass (Typ.)	
1 piece	0.044g

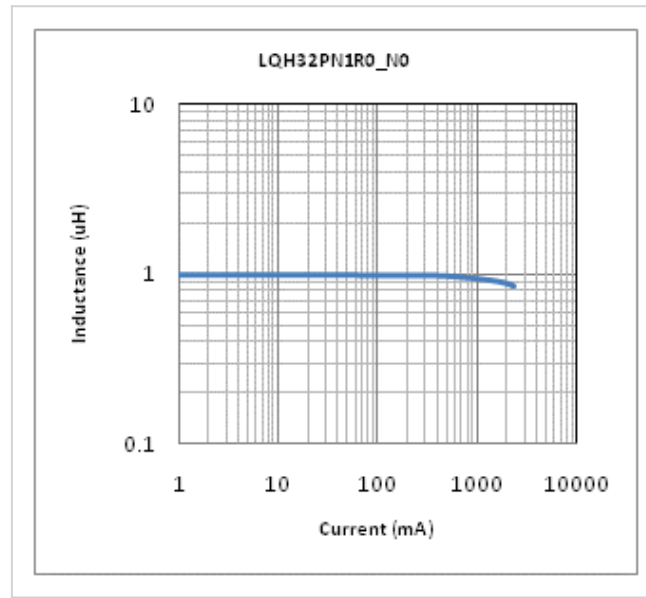
### ⚠ Attention

- This datasheet is downloaded from the website of Murata Manufacturing Co., Ltd. Therefore, it ' s specifications are subject to change or our products in it may be discontinued without advance notice. Please check with our sales representatives or product engineers before ordering.
- This datasheet has only typical specifications because there is no space for detailed specifications. Therefore, please review our product specifications or consult the approval sheet for product specifications before ordering.

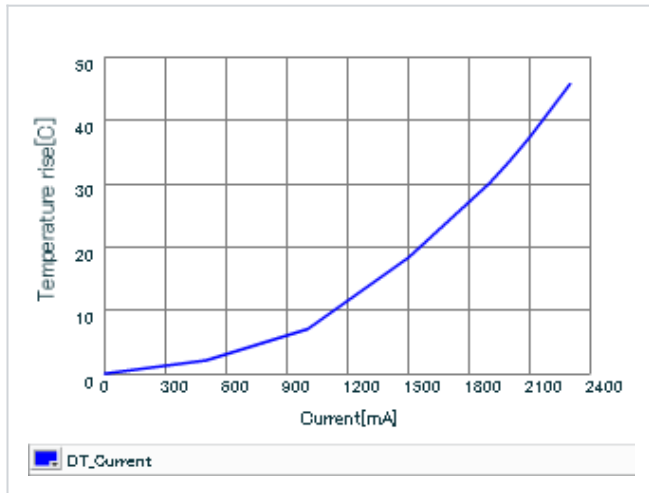
▪ Inductance-Frequency characteristics (Typ.)



▪ Inductance-Current characteristics (Typ.)



▪ Temperature rise characteristics (Typ.)



This PDF data has only typical specifications because there is no space for detailed specifications. Therefore, please review our product specifications or consult the approval sheet for product specifications before ordering.