

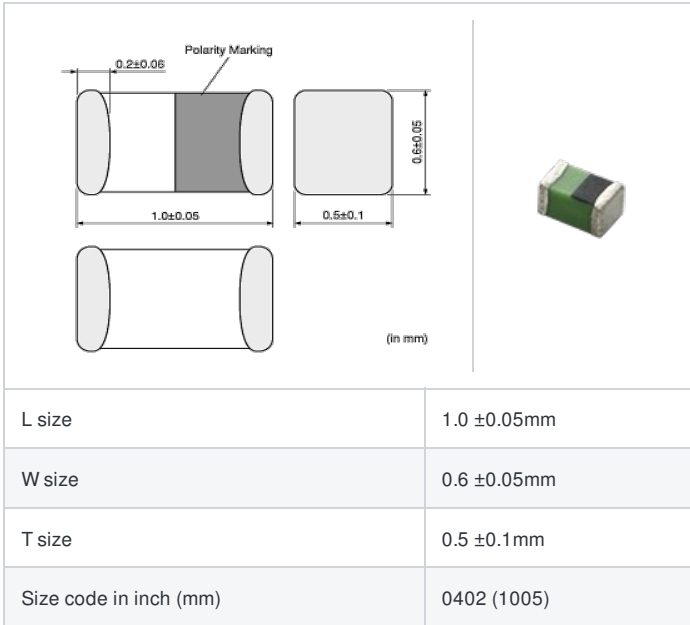
LQG15WH72NJ02#

indicates a package specification code.



< List of part numbers with package codes >
 LQG15WH72NJ02D , LQG15WH72NJ02J , LQG15WH72NJ02B

Shape



References

Packaging code	Specifications	Minimum quantity
D	φ 180mm Paper taping	10000
J	φ330mm Paper taping	40000
B	Packing in bulk	100

Mass (Typ.)	
1 piece	0.001g

Specifications

Inductance	72nH ±5%
Inductance test frequency	100MHz
Rated current (Itemp) (Based on Temperature rise)	160mA
Max. of DC resistance	2.2Ω
Q (min.)	22
Q test frequency	250MHz
Self resonance frequency (min.)	1100MHz
Operating temperature range (Self-temperature rise is not included)	-55°C to 125°C
Series	LQG15WH_02

Attention

- 1.This datasheet is downloaded from the website of Murata Manufacturing Co., Ltd. Therefore, it's specifications are subject to change or our products in it may be discontinued without advance notice. Please check with our sales representatives or product engineers before ordering.
- 2.This datasheet has only typical specifications because there is no space for detailed specifications. Therefore, please review our product specifications or consult the approval sheet for product specifications before ordering.