

Power Resistor for Mounting onto a Heatsink Thick Film Technology

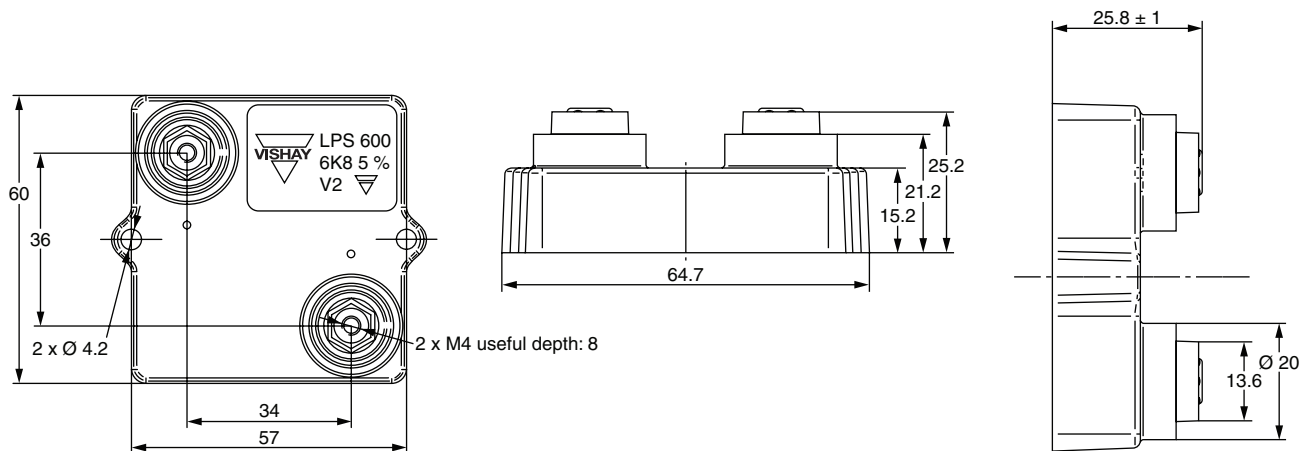


FEATURES

- 600 W at 85 °C case temperature
- Wide resistance range: 0.3 Ω to 900 kΩ E24 series
- Non inductive
- Easy mounting
- Low thermal radiation of the case
- Compliant to RoHS directive 2002/95/EC


RoHS
COMPLIANT

DIMENSIONS in millimeters



Tolerance unless stated: ± 0.2 mm

MECHANICAL SPECIFICATIONS

Mechanical Protection	Insulated case UL 94 V-0
Resistive Element	Thick film
Substrate	Alumina
End Connections	Screws M4
Tightening Torque	
- On Connections	2 Nm
- On Heatsink	2 Nm
Maximum Torque	2.5 Nm
Weight	83 g ± 10 %

ENVIRONMENTAL SPECIFICATIONS

Temperature Range	- 55 °C to 155 °C
Climatic Category	55/155/56

ELECTRICAL SPECIFICATIONS

Resistance Range	0.3 Ω to 900 kΩ
Tolerances (Standard)	± 1 % to ± 10 %
Power Rating and Thermal Resistance	600 W at + 85 °C case temperature $R_{TH(j-c)}$: 0.112 °C/W
Temperature Coefficient	$R \leq 1U$: ± 500 ppm/°C $1U < R \leq 10U$: ± 300 ppm/°C $10U < R$: ± 150 ppm/°C
Limiting Element Voltage U_L	5 kV
Dielectric Strength IEC 60115-1, 1 min, 10 mA max.	7 kV _{RMS} or 12 kV _{RMS}
Insulation Resistance	≥ 10 ⁴ MΩ
Inductance	≤ 0.1 μH
Critical Resistance	41.66 kΩ



PERFORMANCE		
TESTS	CONDITIONS	REQUIREMENTS
Momentary Overload	IEC 60115-1 2 x Pr/10 s $U_{max.} \leq UI = 5000 \text{ V}$	$\pm (0.25 \% + 0.05 \Omega)$
Rapid Temperature Change	IEC 60115-1/IEC 60068-2-14 Test Na 50 cycles - 55 °C to + 155 °C	$\pm (0.5 \% + 0.05 \Omega)$
Load Life	IEC 60115-1 1000 h (90/30) Pr at 85 °C	$\pm (0.5 \% + 0.05 \Omega)$
Humidity (Steady State)	IEC 60115-1 56 days RH 95 %/40 °C	$\pm (0.5 \% + 0.05 \Omega)$
Vibration	MIL STD 202 Method 204 Cond. D (10 g; 5/500 Hz)	$\pm (0.25 \% + 0.05 \Omega)$
Climatic Sequence	IEC 60115-1 (55/155/56)	$\pm (1 \% + 0.05 \Omega)$

CHOICE OF THE HEATSINK

The user must choose the heatsink according to the working conditions of the component (power, room temperature). Maximum working temperature must not exceed 155 °C. The dissipated power is simply calculated by the following ratio:

$$P = \frac{\Delta T}{[R_{TH(j-c)} + R_{TH(c-a)}]}$$

- P: Expressed in W
- ΔT : Difference between maximum working temperature and room temperature
- $R_{TH(j-c)}$: Thermal resistance value measured between resistive layer and outer side of the resistor. It is the thermal resistance of the component: (see specifications environmental paragraph).
- $R_{TH(c-a)}$: Thermal resistance value measured between outer side of the resistor and room temperature. It is the thermal resistance of the thermal interface, the heatsink (type, shape) and the quality of the fastening device.

Example:

$R_{TH(c-a)}$ for LPS 600 power dissipation 180 W at + 50 °C room temperature.

$$\Delta T \leq 155 \text{ °C} - 50 \text{ °C} = 105 \text{ °C}$$

$$R_{TH(j-c)} + R_{TH(c-a)} = \frac{\Delta T}{P} = \frac{105}{180} = 0.58 \text{ °C/W}$$

$$R_{TH(j-c)} = 0.112 \text{ °C/W}$$

$$R_{TH(c-a)} = 0.58 \text{ °C/W} - 0.112 \text{ °C/W} = 0.468 \text{ °C/W}$$

RECOMMENDATIONS FOR MOUNTING ONTO A HEATSINK

Surfaces in contact must be carefully cleaned.

The heater must have an acceptable flatness: From 0.05 mm to 0.1 mm/100 mm.

Roughness of the heatsink must be around 6.3 μm.

In order to improve thermal conductivity, surfaces in contact (alumina, heatsink) should be coated with a silicon grease (type Rhordorsil 340 from BlueStar Silicone or type “340 heatsink compound” from Dow Corning) or a thermal film (type Q Pad II) easier and faster to install than the grease.

The fastening of the resistor to the heatsink is under pressure control of two screws tightened at 2 Nm for full power availability. The following accessories are supplied with each product: 2 screws CHC M4*25 class 8.8 and 2 M4 contact lock washers for heatsink mounting, 2 screws TH M4 * 6/6 and 2 M4 contact lock washers for connections.

OVERLOADS

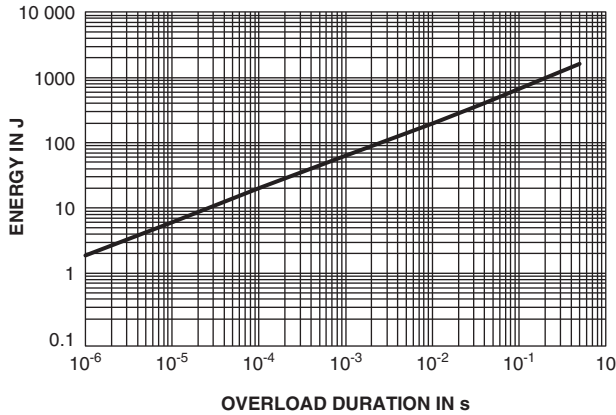
In any case the applied voltage must be lower than $U_L = 5000 \text{ V}$.

Short time overload: 2 x Pr/10 s

Accidental overload: The values indicated on the following graph are applicable to resistors in air or mounted onto a heatsink.



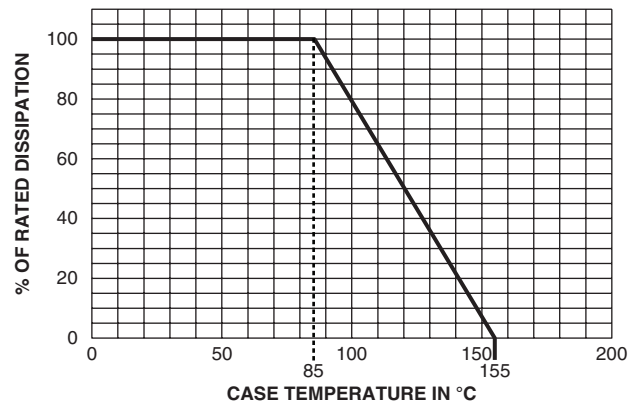
ENERGY CURVE



POWER RATING CHART

The temperature of the case should be maintained within the limits specified in the following figure.

To optimize the thermal conduction, contacting surfaces should be coated with silicone grease or thermal film, and heatsink mounting screws tightened to 2 Nm.



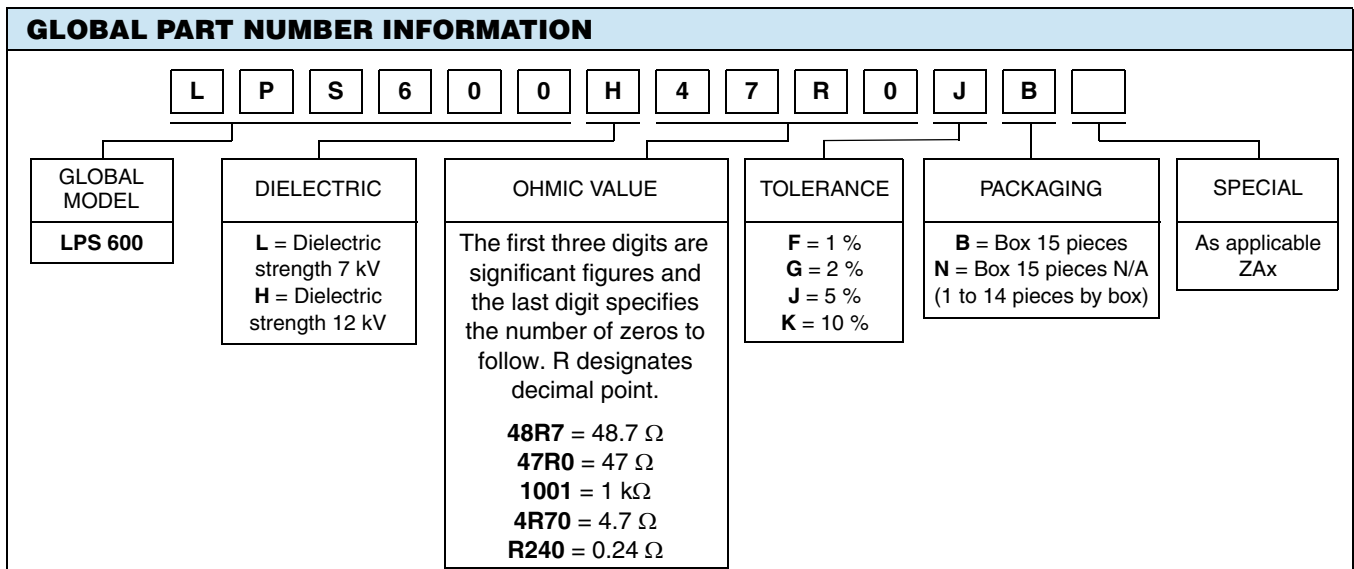
PACKAGING

Box of 15 units.

MARKING

Series, style, ohmic value (in Ω), tolerance (in %), manufacturing date, VISHAY trademark.

ORDERING INFORMATION						
LPS	600	100 kΩ	± 1 %	xxx	BO15	E
MODEL	STYLE	RESISTANCE VALUE	TOLERANCE	CUSTOM DESIGN	PACKAGING	LEAD (Pb)-FREE
			± 1 %	Optional		
			± 2 %	on request:		
			± 5 %	Special TCR,		
			± 10 %	shape etc.		





Disclaimer

All product specifications and data are subject to change without notice.

Vishay Intertechnology, Inc., its affiliates, agents, and employees, and all persons acting on its or their behalf (collectively, "Vishay"), disclaim any and all liability for any errors, inaccuracies or incompleteness contained herein or in any other disclosure relating to any product.

Vishay disclaims any and all liability arising out of the use or application of any product described herein or of any information provided herein to the maximum extent permitted by law. The product specifications do not expand or otherwise modify Vishay's terms and conditions of purchase, including but not limited to the warranty expressed therein, which apply to these products.

No license, express or implied, by estoppel or otherwise, to any intellectual property rights is granted by this document or by any conduct of Vishay.

The products shown herein are not designed for use in medical, life-saving, or life-sustaining applications unless otherwise expressly indicated. Customers using or selling Vishay products not expressly indicated for use in such applications do so entirely at their own risk and agree to fully indemnify Vishay for any damages arising or resulting from such use or sale. Please contact authorized Vishay personnel to obtain written terms and conditions regarding products designed for such applications.

Product names and markings noted herein may be trademarks of their respective owners.