

Type LPR-03 In-Line Fuse Holder Automotive Blade Fuses - APRs Splashproof Type



www.optifuse.com

(619) 593-5050

Ratings:

Fuse Type: Automotive Blade – APRs, ANRs

Electrical Rating: 30A 58VAC

Body: PVC

Cap: Splashproof type

IP Rating: IP65

Wire Sizes: # 10, # 12, # 14, #16 AWG

Standard Wire Colors: Red, Black

Standard Body Colors: Red, Black

Wire Length: 12 inches – End to End Loop

Available in various wire gauges and lengths, and body and wire colors. Contact factory for those not listed above.

Part number format

LPR-03X-##Z

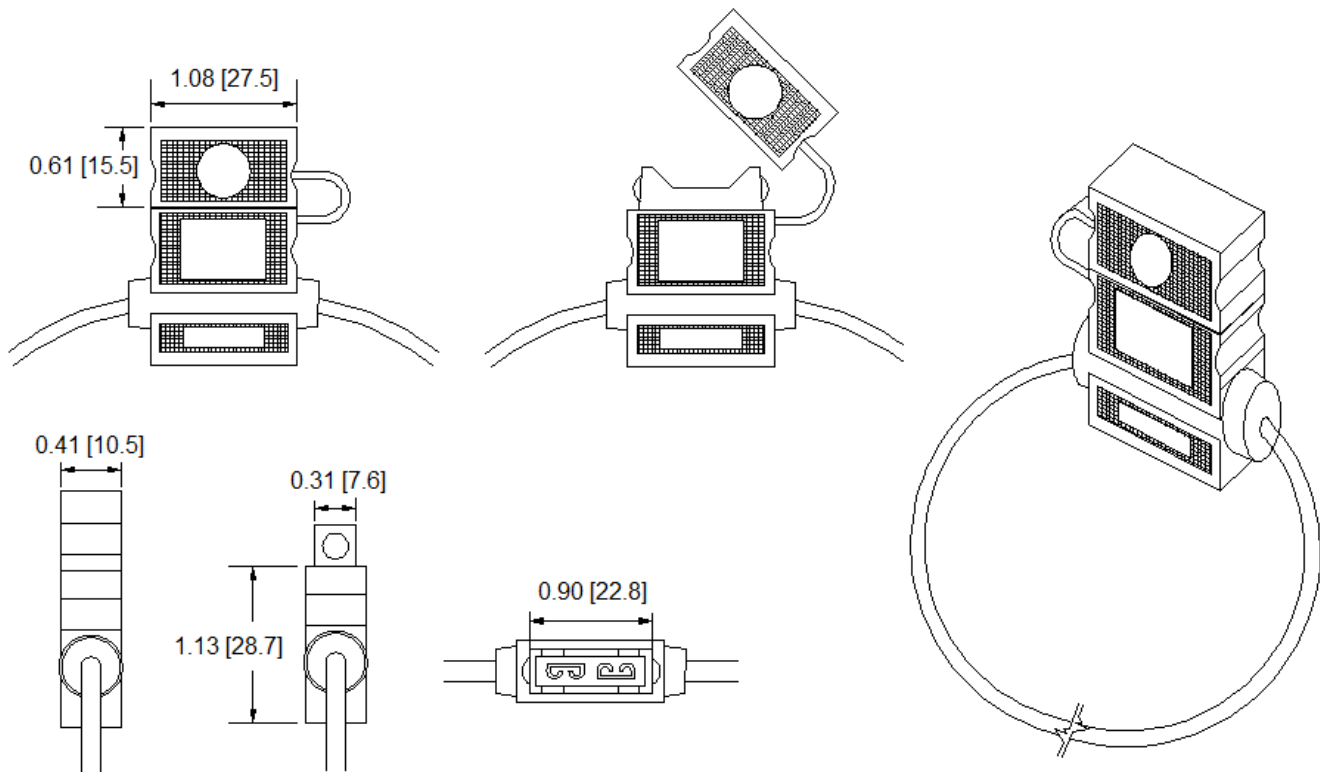
Where **X** = Body color - Red, Black

= Wire gauge

Z = Wire color (**R** or **B**)

Wire Gauge	Max. Amperage
10 AWG	40 A
12 AWG	30 A
14 AWG	20 A
16 AWG	15 A

Mechanical Dimensions: Inches [mm]



Warning:



- Operation beyond the specified maximum ratings or improper use may result in damage and possible electrical arcing and/or flame.
- Avoid contact of device with chemical solvent. Prolonged contact will damage the device performance.
- Not designed for prolonged liquid exposure or submersible applications.