

# Type LPR-01 In-Line Fuse Holder Automotive Blade Fuses - APRs



www.optifuse.com

(619) 593-5050

### Ratings:

**Fuse Type:** Automotive Blade - APR

**Electrical Rating:** 32VAC

**Body:** PVC

**Contacts:** Brass

**Standard Wire Sizes:** #12 ~ #16 AWG

**Standard Wire Colors:** See table

**Standard Body colors:** Black and Yellow

**Standard Wire Length:** 4 inches

Wire Gauge	Standard Wire Colors	Max. Amperage
#12	Yellow, Orange, Red	30A
#14	Red, Black	20A
#16	Red, Black	15A

### Part number format

**LPR-01X-##Z**

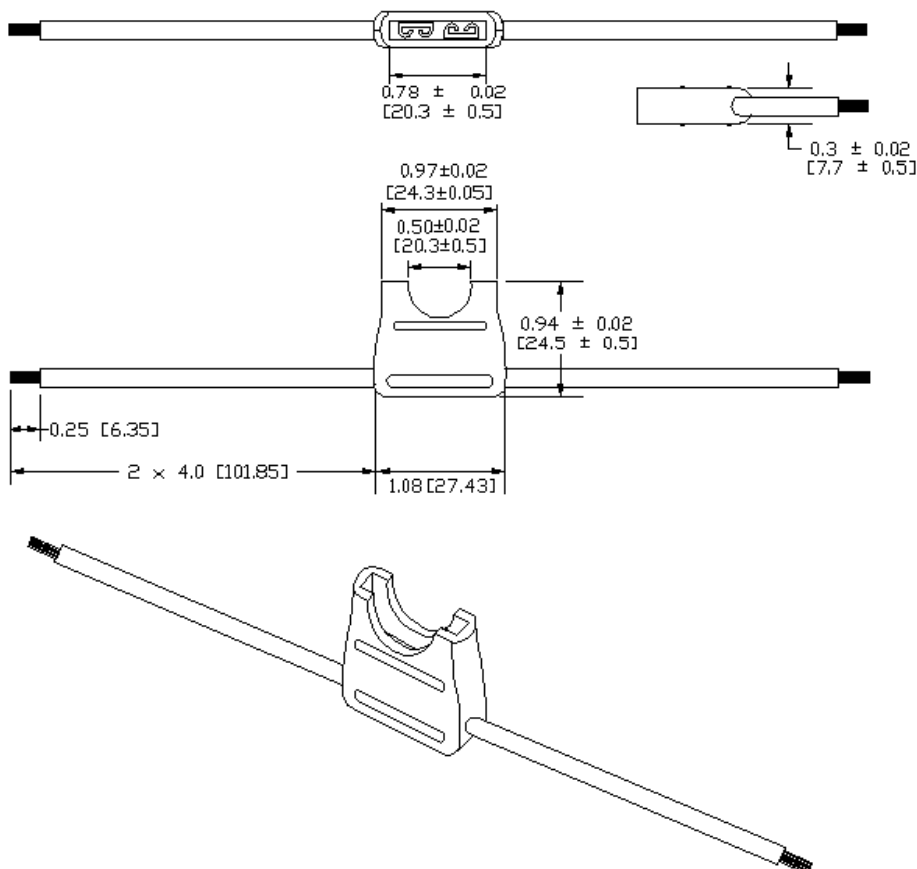
where **X** = Body color

**##** = Wire gauge

**Z** = Wire color

Available in various wire gauges and lengths, and body and wire colors.  
Contact factory for those not listed above.

### Mechanical Dimensions: Inches [mm]



### Warning:



- Operation beyond the specified maximum ratings or improper use may result in damage and possible electrical arcing and/or flame.
- Avoid contact of device with chemical solvent. Prolonged contact will damage the device performance.
- Not designed for prolonged liquid exposure or submersible applications.

Note: All specifications subject to change without notice.

Rev C 01/2015 - Page: 1/1  
Code J01-02D