

Type LPA-05 In-Line Fuse Holder - Heavy Duty 1/4" x 1 1/4" (6.3 x 32mm) Fuses



www.optifuse.com (619) 593-5050

Ratings:

- Fuse Type:** 1/4" x 1 1/4" (6.3 x 32mm)
- Electrical Rating:** 32VDC
- Body:** Nylon
- Contacts:** Brass
- Standard Wire Sizes:** #12 ~ #18 AWG
- Standard Wire Colors:** Red
- Standard Body colors:** White
- Wire Length:** 4 inches

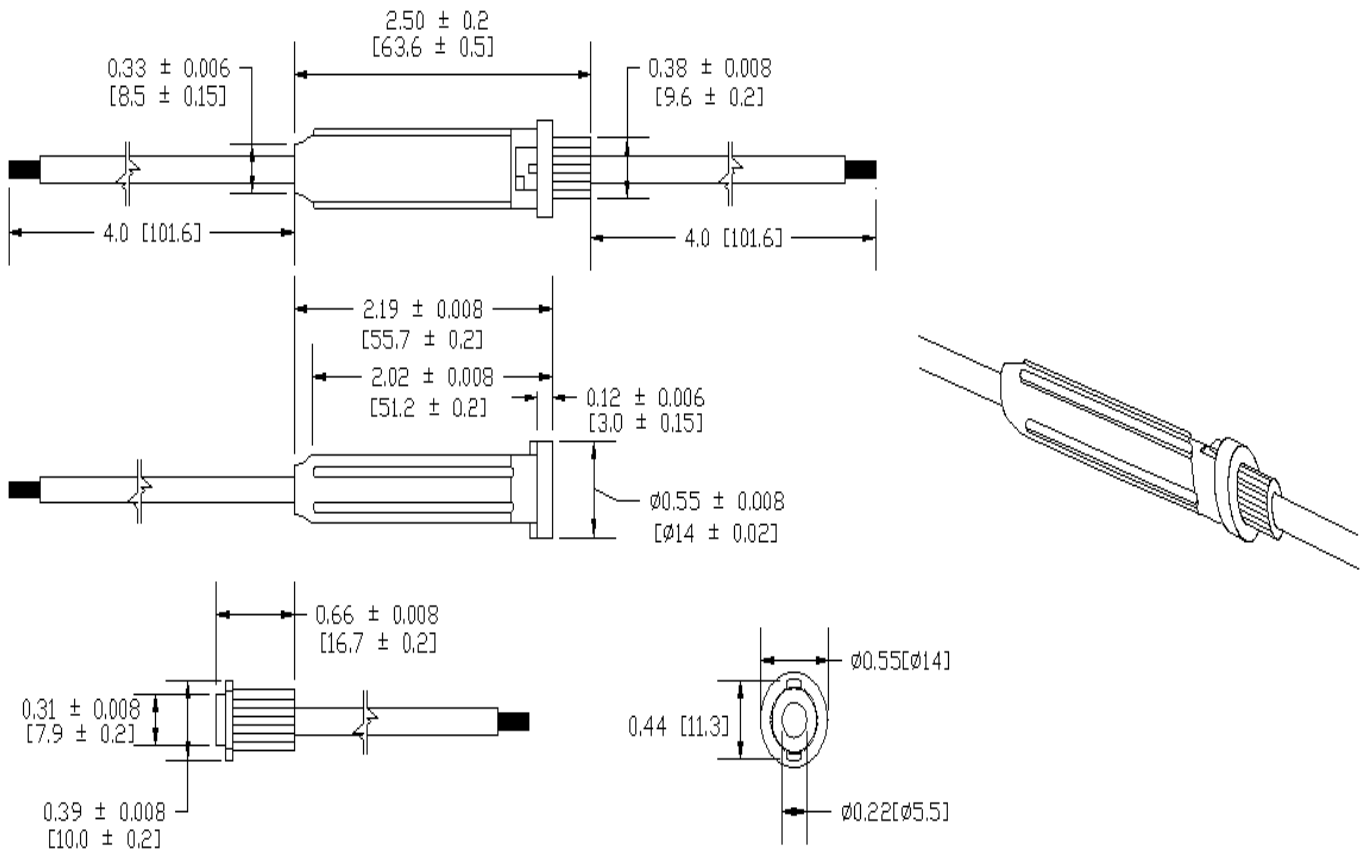
Part number format

LPA-05W-##R
where ## = Wire gauge

| Wire Gauge | Max. Amperage |
|------------|---------------|
| 12 AWG | 30 A |
| 14 AWG | 20 A |
| 16 AWG | 15 A |
| 18 AWG | 10 A |

Available in various wire gauges and lengths, and body and wire colors.
Contact factory for those not listed above.

Mechanical Dimensions: Inches [mm]



| | |
|--|--|
| | <p>Warning: -Operation beyond the specified maximum ratings or improper use may result in damage and possible electrical arcing and/or flame.</p> |
| | <p>-Avoid contact of device with chemical solvent. Prolonged contact will damage the device performance.</p> <p>-Not designed for prolonged liquid exposure or submersible applications.</p> |