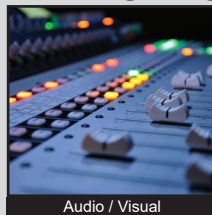


LP11 SERIES PUSHBUTTON SWITCH

ANTI-VANDAL SWITCHES
 DETECTOR SWITCHES
 DIP SWITCHES
 KEYLOCK SWITCHES
 NAVIGATION SWITCHES
PUSHBUTTON SWITCHES
 ROCKER SWITCHES
 ROTARY SWITCHES
 SLIDE SWITCHES
 SNAP ACTION SWITCHES
 TACTILE SWITCHES
 TOGGLE SWITCHES
 CAP OPTIONS



APPLICATIONS / MARKETS



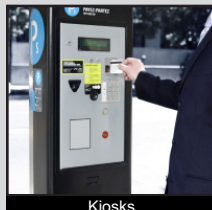
Audio / Visual



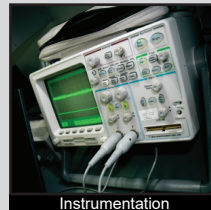
Consumer Electronics



Vending Machines



Kiosks



Instrumentation



Medical Equipment

RoHS

SPECIFICATIONS

Electrical Rating: 100mA @ 12VDC
Contact Arrangement: SPST
Electrical Life: 1,000,000 Cycles
Contact Resistance: 200mΩ Max. initial
Insulation Resistance: 100 MΩ Min. @ 500VDC
Dielectric Strength: 500VAC for 1 Minute
Travel: 4.50mm (Momentary)
 3.50mm (Latching)
Actuation Force: 200 gf (Momentary)
 160 gf (Latching)
Operating Temperature: -40°C to 85°C

FEATURES & BENEFITS

- RGB or multiple bi-color illumination options
- Tactile or non tactile feel
- Multiple cap sizes
- Long electrical life
- Latching and momentary functions

PART NUMBER CONFIGURATOR

Series	Function	Circuit	Actuators	Cap	Cap Configuration	LED Color Options*
<input type="text" value="LP11"/>	<input type="text" value="OA"/> <input type="text" value="EE"/>	<input type="text" value="1"/>	<input type="text" value="N"/>	<input type="text" value="A"/>	<input type="text" value="S"/>	<input type="text" value="RR"/> <input type="text" value="RG"/> <input type="text" value="RB"/>
LP11	OA - Momentary EE - Latching (Only using N Actuator Type)	1 - SPST	N - Non Tactile T - Tactile	A - 12mm square B - 15mm square C - 17.4mm square	S - Sculptured	RR - Red-Red RG - Red-Green RB - Red-Blue RY - Red-Yellow RW - Red-White BB - Blue-Blue BW - Blue-White GG - Green-Green GB - Green-Blue GW - Green-White YY - Yellow-Yellow YG - Yellow-Green YB - Yellow-Blue YW - Yellow-White WW - White-White RGB - Red-Green-Blue

* Please refer to individual part number drawings for LED specifications.

Specifications subject to change without notice 9.5.2018



E-SWITCH®

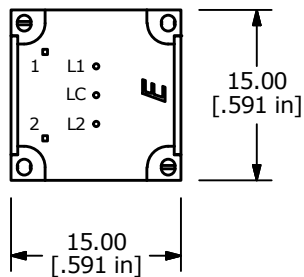
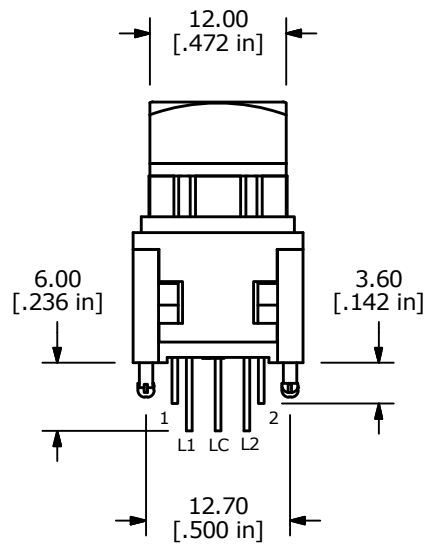
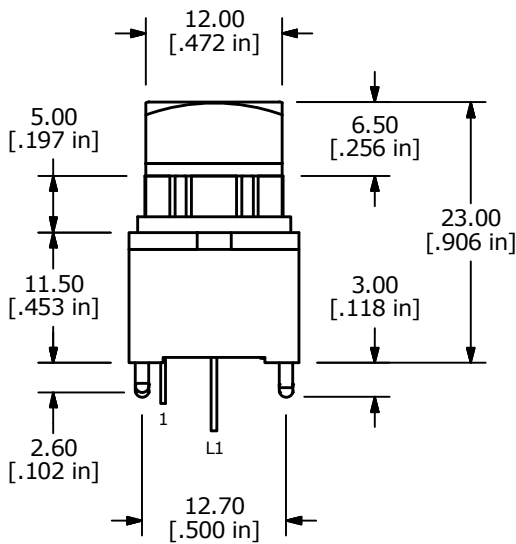
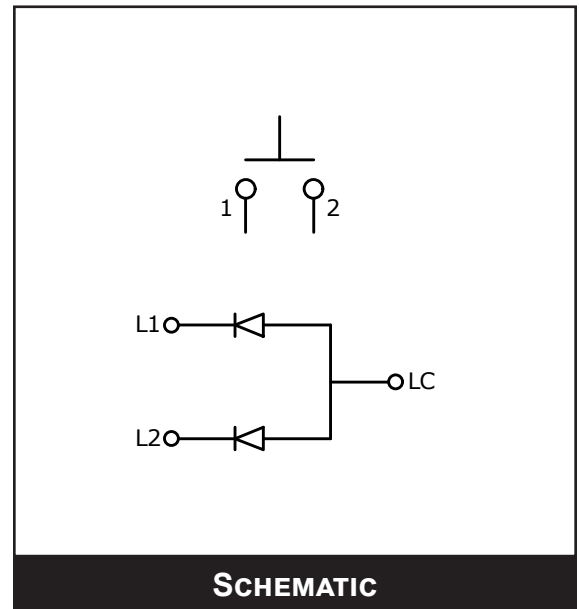
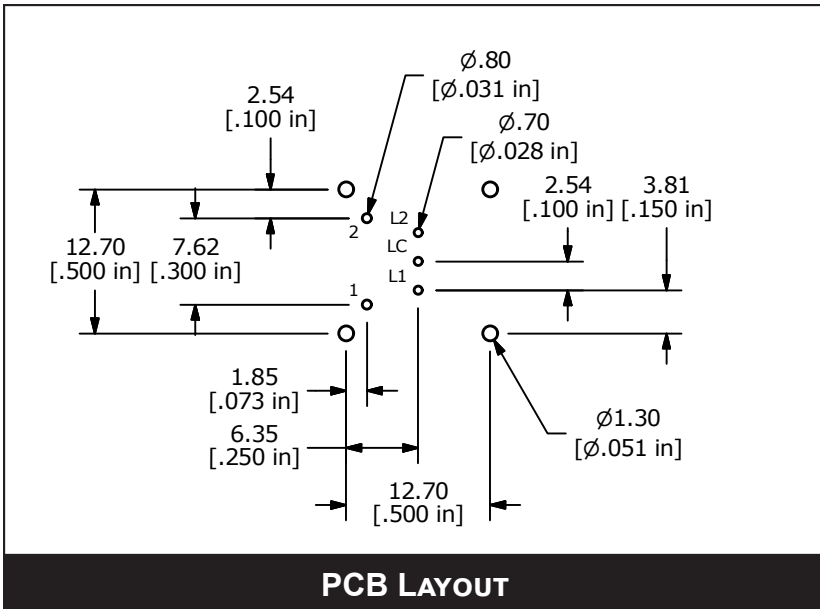
www.e-switch.com

800.867.2717

1

LP11 SERIES PUSHBUTTON SWITCH

BODY DIMENSIONS MOMENTARY LED



OA - MOMENTARY WITH A - 12MM CAP
LED ILLUMINATION



E-SWITCH®

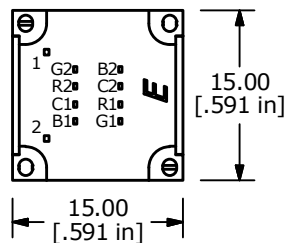
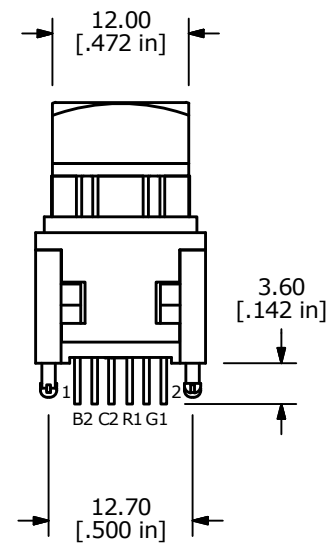
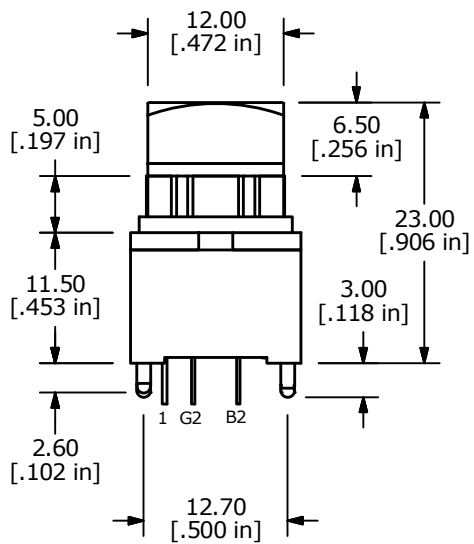
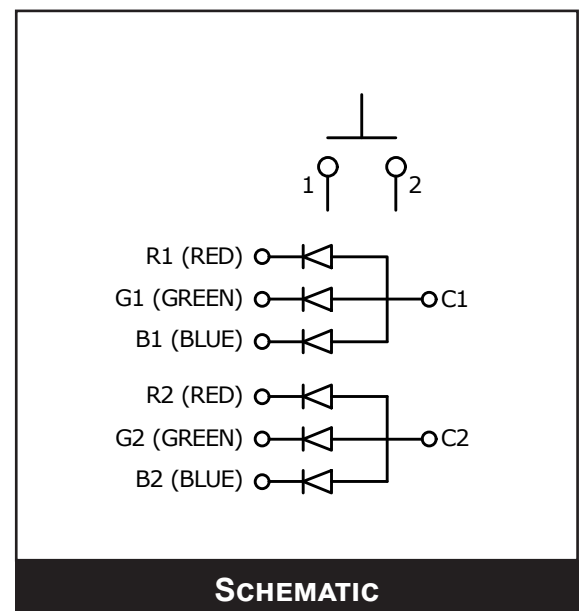
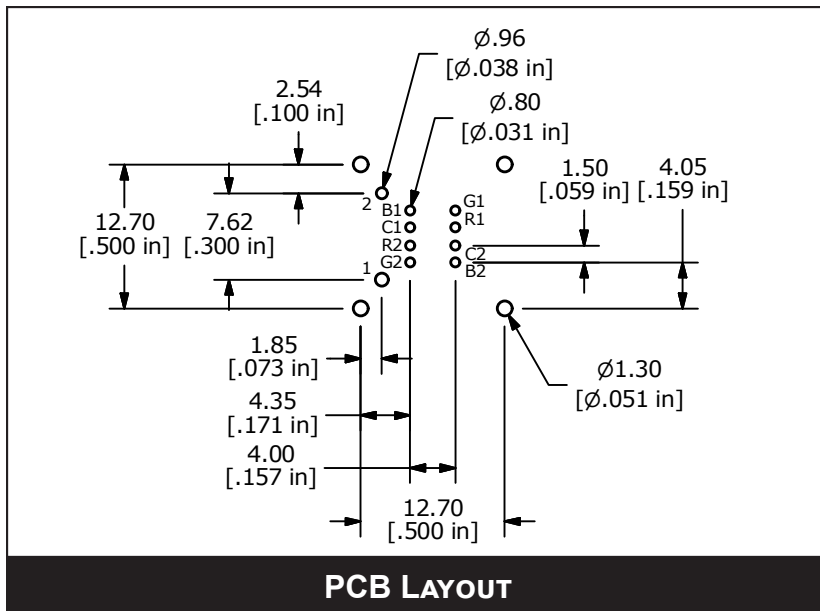
www.e-switch.com

800.867.2717

- ANTI-VANDAL SWITCHES
- DETECTOR SWITCHES
- DIP SWITCHES
- KEYLOCK SWITCHES
- NAVIGATION SWITCHES
- PUSHBUTTON SWITCHES**
- ROCKER SWITCHES
- ROTARY SWITCHES
- SLIDE SWITCHES
- SNAP ACTION SWITCHES
- TACTILE SWITCHES
- TOGGLE SWITCHES
- CAP OPTIONS

LP11 SERIES PUSHBUTTON SWITCH

BODY DIMENSIONS MOMENTARY RGB

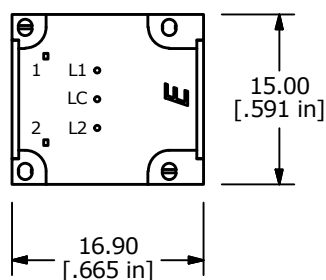
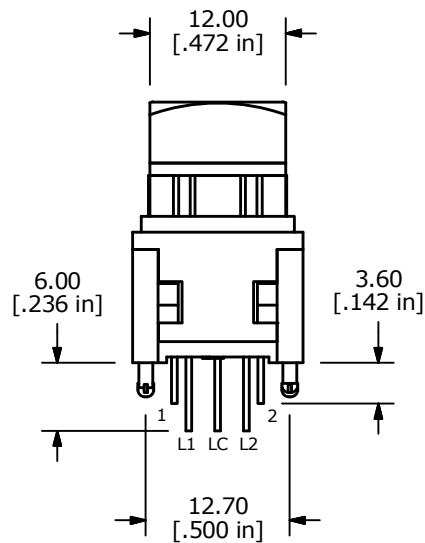
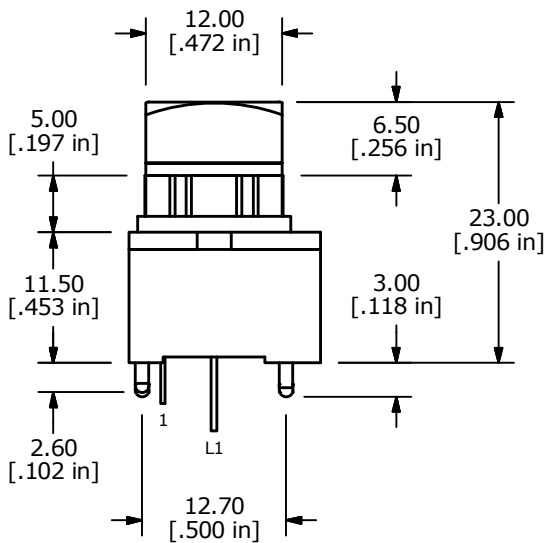
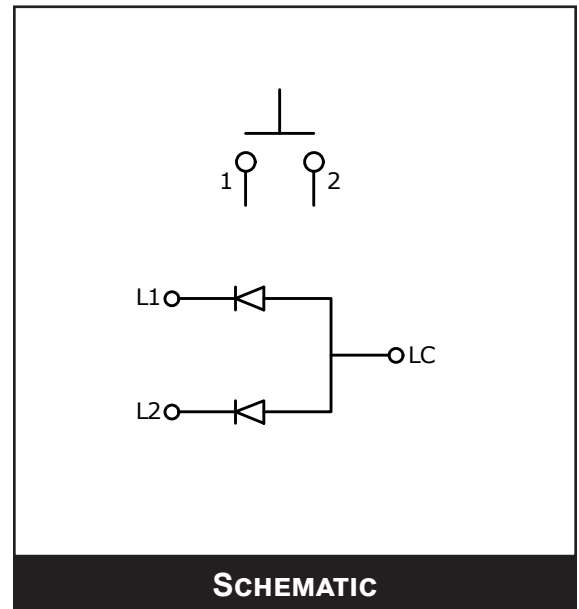
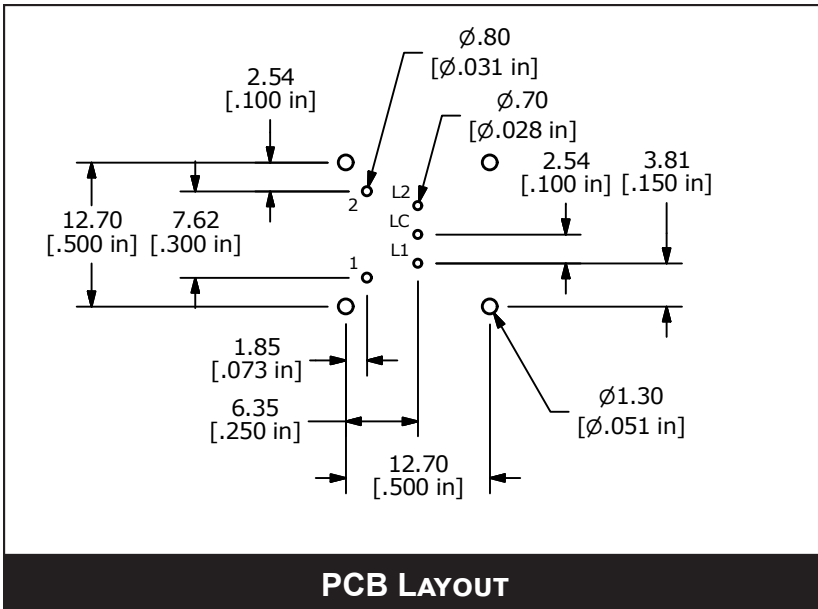


OA - MOMENTARY WITH A - 12MM CAP
RGB ILLUMINATION



LP11 SERIES PUSHBUTTON SWITCH

BODY DIMENSIONS LATCHING LED

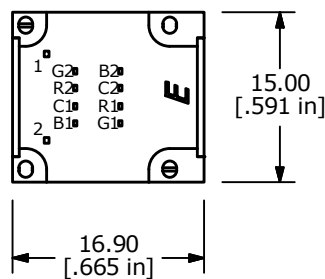
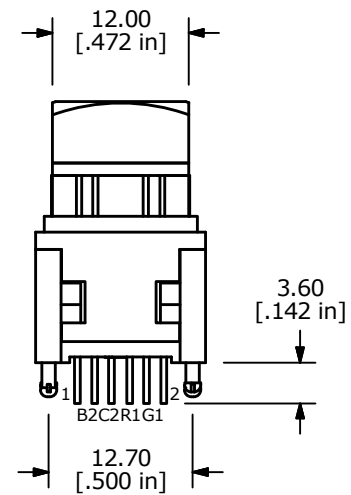
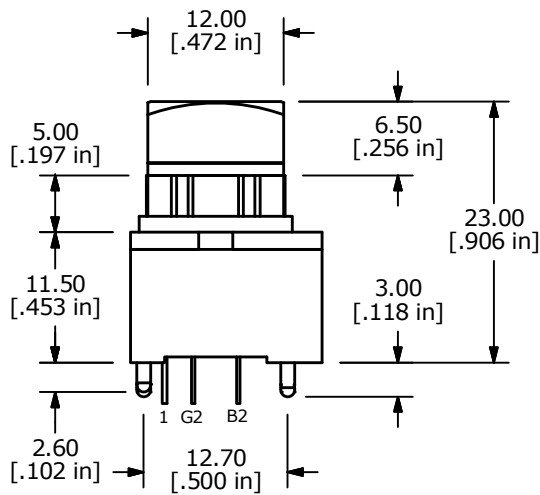
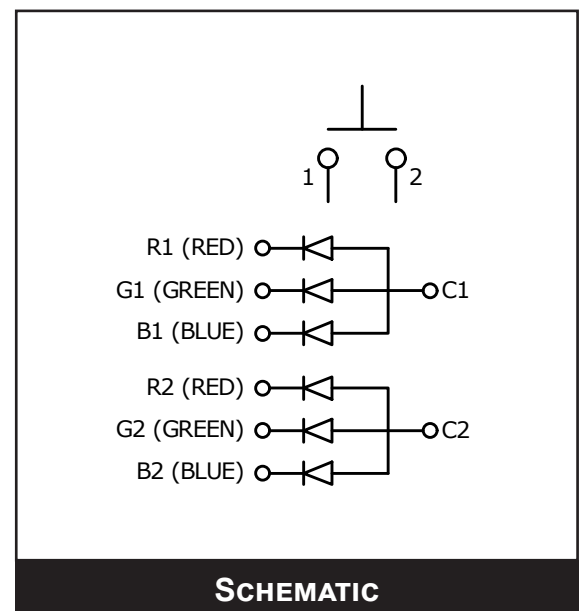
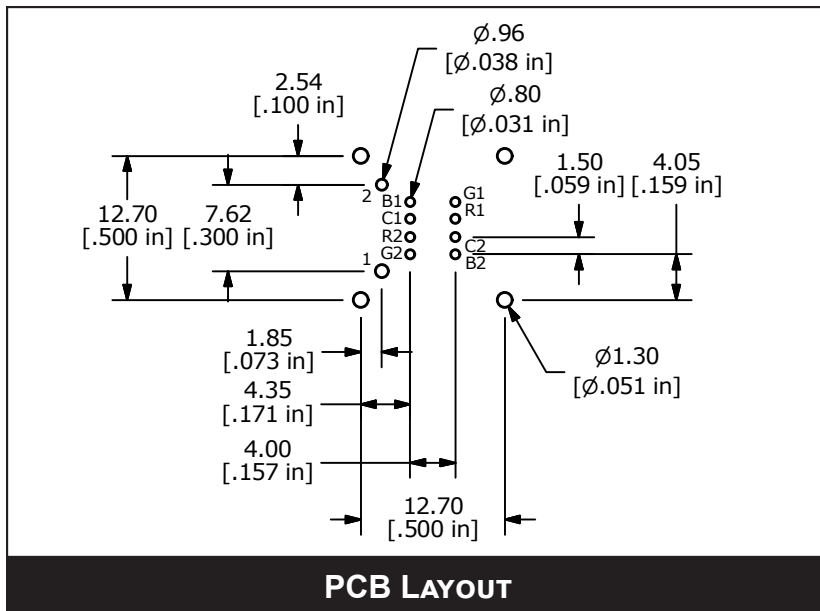


EE - LATCHING WITH A - 12MM CAP
LED ILLUMINATION



LP11 SERIES PUSHBUTTON SWITCH

BODY DIMENSIONS LATCHING RGB



EE - LATCHING WITH A - 12MM CAP
RGB ILLUMINATION



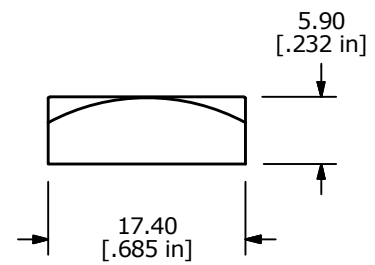
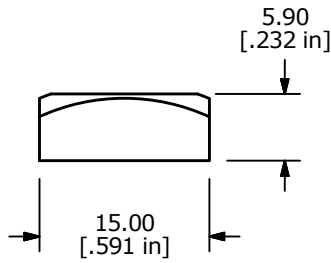
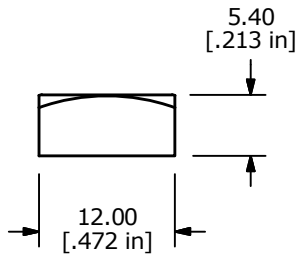
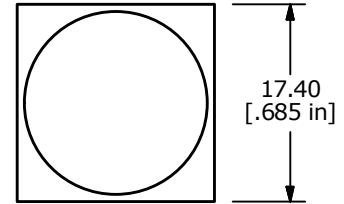
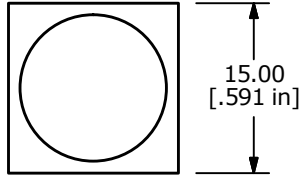
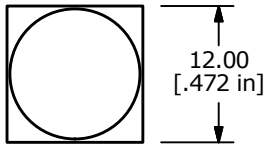
E-SWITCH®

www.e-switch.com

800.867.2717

LP11 SERIES PUSHBUTTON SWITCH

CAP OPTIONS



A - 12MM CAP

B - 15MM CAP

C - 17.4MM CAP

ANTI-VANDAL SWITCHES
DETECTOR SWITCHES
DIP SWITCHES
KEYLOCK SWITCHES
NAVIGATION SWITCHES
PUSHBUTTON SWITCHES
ROCKER SWITCHES
ROTARY SWITCHES
SLIDE SWITCHES
SNAP ACTION SWITCHES
TACTILE SWITCHES
TOGGLE SWITCHES
CAP OPTIONS

